

PowerBoss®
The Power of Clean



Parts Catalog

Armadillo 9X Sweeper Series

Models: 9X & 9XCE

PowerBoss®
A Member of the Hako Group

#410000 Rev V 10/23
Effective Serial 23PB1656

PREFACE

Thank you for your purchase of the new industry standard for sweepers. PowerBoss® takes great pride in offering the most dependable, reliable, and best value in industrial power sweepers and scrubbers. We set the standard.

Our Customer Service Department would like to hear from you. If you see any errors, omissions or something that needs clarification in this Parts Catalog, please let us know. We are working hard towards continually improving our processes--to benefit you, our valued customer.

Please copy the form below, fill out and comment on how you found our manual.

Thank you!

The PowerBoss® Team

Name _____

Title: _____

Company Name: _____

Address: _____

Country: _____

Type of equipment or model number: _____

Comments: _____

Please return to:

Customer Service Manager
PowerBoss®, Minuteman International, Inc.
14N845 U.S. Route 20
Pingree Grove, Illinois 60140 USA

Phone: 800-323-9420

Email: tech@powerboss.com

This is the Parts Catalog for the PowerBoss® Armadillo 9X & 9XCE Sweeper Series. This Catalog covers the Armadillo 9X & 9XCE machine variations beginning December 2014. We believe this machine will provide excellent service for many years.

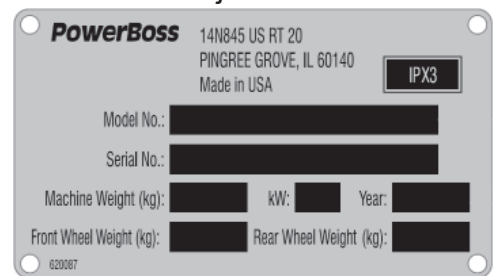
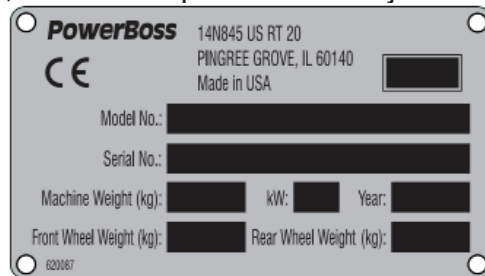
However, the best results will be obtained if:

- The machine is operated with reasonable care.
- The machine is maintained regularly per the maintenance schedule provided in the User Manual.
- The machine is maintained with PowerBoss® supplied or equivalent parts.

All right side and left side references to the machine (except for engine) are determined by facing the direction of forward travel. The front of the engine or engine fan faces the rear of the machine. Some hardware considered to be common or locally available has been omitted from the parts section to make this manual clear. Be sure to use equivalent hardware when replacement becomes necessary.

The Model and Serial Number of your machine is shown on the I.D. name plate. This information is needed when contacting Technical Support or when ordering parts. The I.D. plate is mounted on the console of the machine, left of the operator and adjacent the main broom adjustment access door.

Example I.D Plates:



Parts may be ordered by phone, fax, or email from any PowerBoss® parts and service center. Before ordering parts or supplies, be sure to have your machine model number and serial number handy. For your convenience Fill out the data block on the next page for future reference.

MACHINE DATA
Fill out at installation

Serial Number: _____

Engine Serial Number: _____

Sales Rep.: _____

Date of Install: _____

All information contained in this catalog is current at the time of printing. PowerBoss®, Minuteman International, Inc. reserves the right to make changes at any time without notice.

PowerBoss®, Minuteman International, Inc., Copyright 2014-2015, Printed in USA.

TECHNICAL SPECIFICATIONS

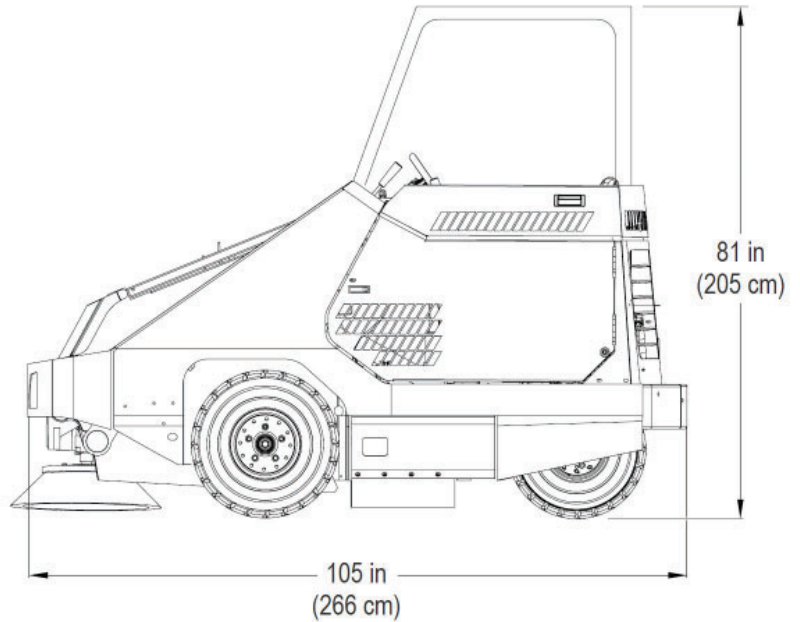
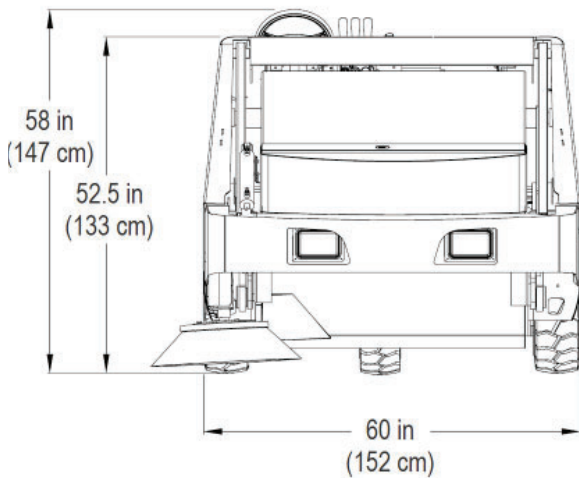
Model	Armadillo 9X Series
9X Model No.	SW9XKDSL; SW9XKGAS; SW9XKLPG, SW9XKDSLBR
9X CE Model No.	9XRDSLCE; 9XRGASCE; 9XRLPGCE

DIMENSIONS & WEIGHT

Length	105 in (267 cm)
Width	60 in (152 cm)
Height (machine)	52.5 in (133 cm)
Height (with steering wheel)	58 in (147 cm)
Height (with Overhead guard)	81 in (206 cm)
Height (with Cab)	81 in (206 cm)
Weight (Diesel engine)	4090 lb (1855 kg)
Weight (Gas & LPG engines)	4070 lb (1846 kg)
Minimum U-turn	110 in (280 cm)

SWEEPING SYSTEM

Productivity	184,800 ft ² /hr (17,168 m ² /hr)
Sweep path	62 in (157 cm)
Main broom	48 in (122 cm)
Side broom	24 in (61 cm)
with Dual side broom	optional 72 in path
	optional (183 cm) path
Hopper type	RTR™ high dump
Hopper volume	21.1 ft ³ (0,59 m ³)
Hopper load capacity	1100 lb (498 kg)
Dust control	110 ft ² (10,22 m ²)
High dump	64 in (162 cm)
	include RTR™ (Rotary Trash Relocation)



dimensions shown in inches (cm)

STANDARD ABBREVIATIONS

°C-Degrees Celsius	INFO-Information
°F-Degrees Fahrenheit	INT-Internal or Interior
12V-12 Volts DC	LG-Long
AR-Abrasion Resistant	LH-Left Hand
ASSY-Assembly	LPG-Liquefied Petroleum Gas
ATO-Standard Auto Fuse Type Also called ATC	LP-Liquefied Petroleum
BHSCS-Button Head Screw SS	M8x1-Indicates Metric threads, 8mm Dia with a 1mm thread pitch
BLK-Black	MM-Millimeters
BLT-Belt	MNT-Mount
BR-Brass or Broom or Brush	MS-Mid Size
BRM-Broom	OD-Outside Diameter
BRKT-Bracket	PLTD-Plated
CB-Curb Broom	REV-Reverse
CCW-Counter Clockwise	RH-Right Hand
CI-Cubic Inch	ROT-Rotation
CW-Clockwise Rotation	RTR-Rotary Trash Relocator
CYL-Cylinder	SCR-Screw
DEG-Degrees	SC-Scrubber
DIA-Diameter	SP-Service Part
DPDT-Double Pole Double Throw	SPDT-Single Pole Double Throw
ELEC-Electric	SPST-Single Pole Single Throw
ES-Elastic Stop, also Nyloc	SS-Stainless Steel
EXT-Exterior or Extended	STR-Straight
FI-Fuel Injection	ST-Straight
FS-Full Size	SUB-Sub Assembly
FTG-Fitting	THD-Thread
FWD-Forward	THK-Thick
REV-Reverse	THRU-Through
GAL-US Gallon (3.79 Liters)	UNC-Unified Nat'l Coarse Threads
GOV-Governor	UNF-Unified Nat'l Fine Threads
HD-Head	V1505-Kubota Diesel Engine
HD-Heavy Duty	W/-With
HOP-Hopper	WELD-Weldment
HSS-High Speed Steel	W/O-Without
HT-High Temperature	SP-Zinc Plated
HT-Height	
HYD-Hydraulic	
ID-Identification	
ID-Inside Diameter	
IMP-Impeller	

TABLE OF CONTENTS

PREFACE.....	2
TECHNICAL SPECIFICATIONS	
DIMENSIONS & WEIGHT.....	4
SWEEPING SYSTEM.....	4
STANDARD ABBREVIATIONS.....	5
FRAME ASSEMBLY.....	10
HYDRAULIC BRAKE ASSEMBLY.....	12
BRAKE - 8" ARMA L/H PN-3321450.....	16
BRAKE - 8" ARMA R/H PN-3321471.....	16
STEERING WHEEL, GAUGES & FUSES.....	18
STEERING COLUMN.....	20
SIDE BROOM ASSEMBLY - DRIVE MOTOR, ARM, AND MOUNTING.....	22
SIDE BROOM SUB ASSEMBLY - 3301474.....	24
SIDE BROOM ASSEMBLY - ADJUSTMENT COMPONENTS.....	26
ENGINE COVER, SIDE DOOR, LATCH & REAR GRILL.....	28
REAR DRIVE ASSEMBLY.....	30
DIRECTIONAL CONTROL LINKAGE ASSEMBLY.....	32
CONSOLE ASSEMBLY.....	34
SEAT, FLOOR PAN & TAIL LIGHT.....	36
LIFT & ROTATION CYLINDERS, HYDRAULIC HOSES.....	40
RTR SWITCH DETAIL LIFT ARM.....	43
LPG MOUNT ASSEMBLY.....	44
HOPPER - FILTER AND SHAKER MOTOR COMPONENTS.....	46
HOPPER - COVER AND LATCH COMPONENTS.....	48
FRONT BUMPER ASSEMBLY.....	50
BATTERY COMPONENTS.....	52
ENGINE PAN, HYDRAULIC HOSE RETAINER & LATCH.....	53
FUEL TANK GASOLINE AND DIESEL.....	54
HYDRAULIC RESERVOIR ASSEMBLY.....	56
HYDRAULIC CONTROL VALVE DETAIL.....	58
IMPELLER ASSEMBLY.....	60
MAIN BROOM ASSEMBLY.....	62
SIDE BROOM & MAIN BROOM.....	64

VACUUM SWITCH	66
TIMER-FILTER SHAKER SEALED	67
GASKET MOUNT ASSEMBLY	68
ENGINE KUBOTA V1505 DIESEL - AIR CLEANER ASSEMBLY.....	70
ENGINE KUBOTA V1505 DIESEL - FUSE BOX ASSEMBLY.....	71
ENGINE KUBOTA V1505 DIESEL - FUSE BOX DETAILS.....	72
ENGINE KUBOTA V1505 DIESEL - ALTERNATOR, WATER PUMP, FAN, AND OIL PAN.....	74
ENGINE KUBOTA V1505 DIESEL - FLYWHEEL, STARTER, HEAD COVER, AND MANIFOLD	76
ENGINE KUBOTA V1505 DIESEL - FUEL SYSTEM AND SPEED CONTROL.....	78
ENGINE KUBOTA V1505 DIESEL - MOTOR MOUNTING.....	80
ENGINE KUBOTA V1505 DIESEL - EXHAUST DETAIL.....	82
ENGINE KUBOTA V1505 DIESEL - RADIATOR DETAIL 1	84
ENGINE KUBOTA V1505 DIESEL - RADIATOR DETAIL 2	86
ENGINE KUBOTA V1505 DIESEL - RADIATOR COOLANT TANK & MOUNT.....	88
ENGINE KUBOTA V1505 DIESEL - RADIATOR ASSY & MOUNTING BRACKETS	90
ENGINE KUBOTA V1505 DIESEL - RADIATOR ASSY, CLAMPS, HOSES & SENDERS.....	92
ENGINE KUBOTA V1505 DIESEL, WG1605 GAS & LPG - HYDRAULIC PUMP DETAIL.....	94
ENGINE KUBOTA WG1605 LPG - AIR CLEANER DETAIL.....	98
ENGINE KUBOTA WG1605 GAS - AIR CLEANER DETAIL.....	99
ENGINE KUBOTA WG1605 GAS & LPG ENGINE ASSEMBLY.....	100
ENGINE KUBOTA WG1605 GAS & LPG - MOUNTS-EXHAUST SIDE.....	102
ENGINE KUBOTA WG1605 GAS & LPG - MOUNTS-INTAKE SIDE.....	103
ENGINE KUBOTA WG1605 GAS & LPG - MOUNTING FASTENER DETAIL.....	104
ENGINE KUBOTA WG1605 GAS & LPG - MOUNTING FASTENER DETAIL	105
ENGINE KUBOTA WG1605 GAS & LPG - MOUNTING AIR CLEANER BRACKET.....	106
ENGINE KUBOTA WG1605 GAS & LPG - RADIATOR MOUNTS	107
ENGINE KUBOTA WG1605 GAS & LPG - RADIATOR.....	108
ENGINE KUBOTA WG1605 GAS & LPG - EXHAUST DETAIL	110
ENGINE KUBOTA WG1605 LPG - INLET MANIFOLD	112
VAPORIZER TO LPG TANK CONNECTIONS	114
 OPTIONS AND STANDARD CE FEATURES	
OPT - SUSPENSION SEAT (600005-9X)	116
OPT - TIRES PNEUMATIC WITH WELDED NUTS (660075).....	117
OPT - TIRE OPTIONS.....	118
THREE NON-MARKING TIRES (3317262).....	118

THREE SOFT SHOE TIRES (3317335) 118

TWO SOFT SHOE TIRES AND ONE PNEUMATIC (3319645) 118

OPT - HEAVY DUTY TIE DOWN (690782). 119

OPT- EXHAUST PIPE WRAP, DSL - 9X (690487)
 CE MODELS STANDARD FEATURE 119

OPT - RAISE HOPPER, MAIN BROOM SHUT OFF (690100)
 CE MODELS STANDARD FEATURE 120

OPT - CE KEY LATCH 9X (690102)
 CE MODELS STANDARD FEATURE 124

OPT - SEAT SWITCH ENGINE SHUT OFF (690147)
 CE MODELS STANDARD FEATURE 125

OPT - LOW LP INDICATOR (690148) 126

OPT - HOPPER PRESSURE BYPASS (690231). 128

OPT - AIR CONDITIONING UNIT RISER (690317) 130

OPT - AIR CONDITIONING, LP/GAS (690378) 132

OPT - AIR CONDITIONING, DSL (3316990) 136

OPT - AIR CONDITIONING, DSL
 FOR CE MODELS (690380) 138

OPT - AIR CONDITIONING, LP/GAS
 FOR CE MODELS (690381) 138

OPT - SPOTLIGHT, CURB BROOM (3316152) 139

OPT - OVERHEAD GUARD (690840) 140

OPT - HEATER (690087) 142

OPT - FAN/DEFROSTER (3317266) 144

OPT - FIRE EXTINGUISHER (3317268) 145

OPT - LIGHT, FLASH BLUE (3317271) 146

OPT - LIGHT, ROTATING RED (3317272) 148

OPT - LIGHT, AMBER, OVERHEAD GUARD (690444) 150

OPT - LIGHT, AMBER, ENGINE COVER (690444-1) 152

OPT - LIGHT, AMBER, CAB (690444-3) 154

OPT - HD CURB BROOM, RIGHT (3317302) 156

OPT - HD CURB BROOM, LEFT (3330752). 157

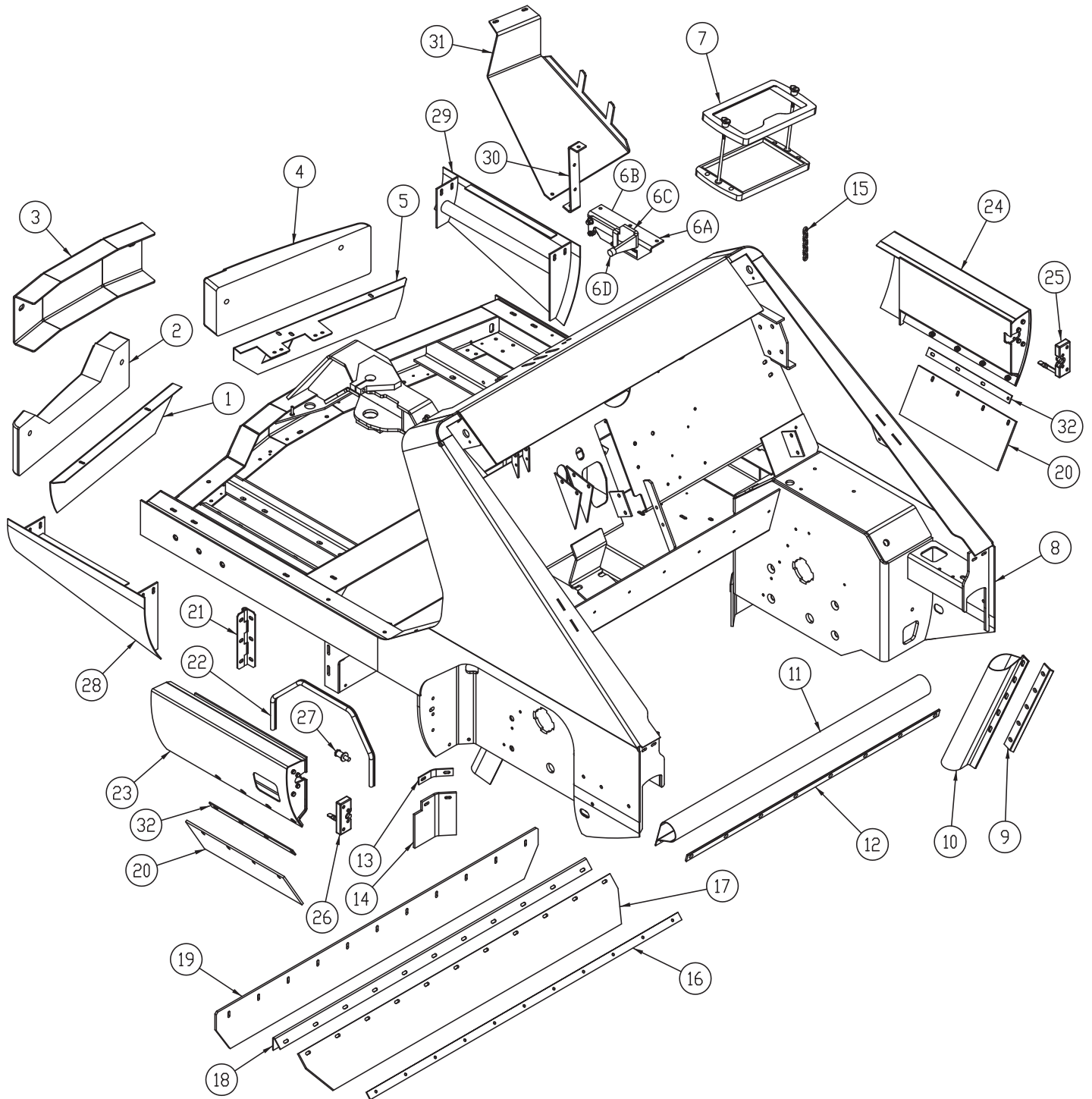
OPT - CE BACKUP ALARM & NEUTRAL SAFETY SWITCH (3317306P) 158

OPT - BACKUP ALARM & NEUTRAL SAFETY SWITCH (3317306) 160

OPT - DIRECTIONAL LIGHTING, FOUR WAY FLASHERS, AND REAR MIRRORS (690540). . . . 162

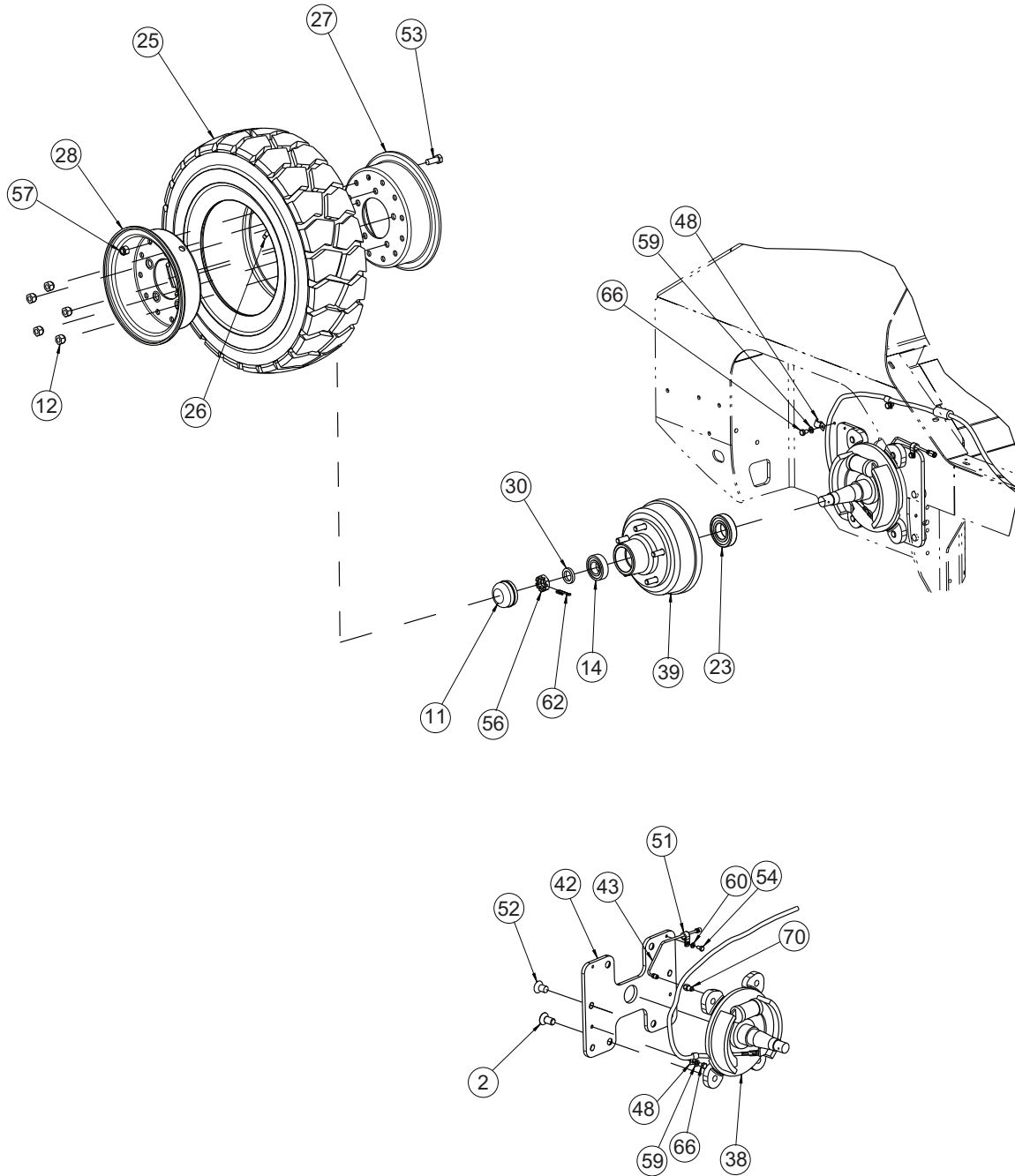
OPT - POWERFLEX (3322125)	164
OPT - AIR CLEANER, HEAVY DUTY (3331034)	166
OPT - AIR CLEANER, EXTERNAL AUX OVERHEAD GUARD (3331338)	168
OPT - MERV 17 FILTER GROUP (690697)	170
OPT - LH CURB BROOM KIT ASSEMBLY (3338666)	172
DUAL CURB BROOM SUB-ASSEMBLY (3319421)	174
SIDE BROOM LIFT LH (3335420)	176
OPT - RETRACTABLE RH SIDE BROOM (690894)	178
OPT - RETRACTABLE DUAL SIDE BROOMS (690889)	180
OPT - EXTREME ENVIRONMENT DUST COVER (3334437)	184
OPT - DUST SUPPRESSION, SINGLE (690795)	186
OPT - DUST SUPPRESSION, DUAL (690796)	192
OPT - VACUUM WAND, 4" ORANGE (3334787)	198
OPT - VACUUMIZED SIDE BROOM (3338470)	202
MISCELLANEOUS OPTIONS	204
HYDRAULIC SCHEMATIC 9X	206
HYDRAULIC SCHEMATIC 9X CE	209
ELECTRICAL SCHEMATIC WITH KUBOTA V1505 - DIESEL	211
ELECTRICAL SCHEMATIC WITH KUBOTA WG1605 - GAS & LPG	216

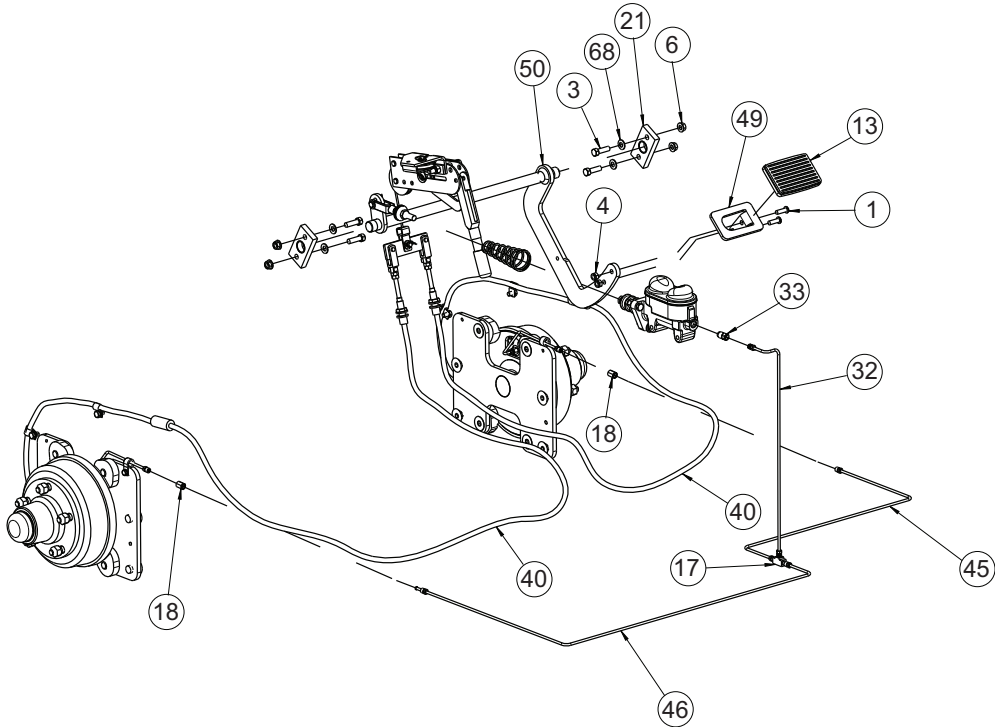
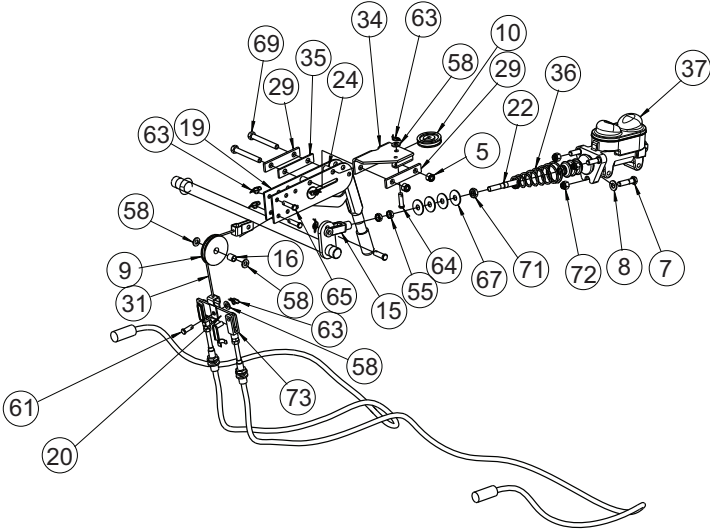
FRAME ASSEMBLY



FRAME ASSEMBLY ARMADILLO 9X			
ITEM	PART NO.	REQ'D	DESCRIPTION
1	3332182M	1	SKIRT-RT REAR 9X, DARK GRAY
2	3309707P	1	COUNTERWEIGHT-RH PAINTED
3	3332147P	1	COVER-COUNTER WEIGHT CENTER
4	3301046P	1	COUNTERWEIGHT-LH PAINTED
5	3335397M	1	SKIRT-LH REAR, 9X, DARK GRAY
6A	3309740	1	MNT-ENG LOCK
6B	3301522	1	SPRING-EXT BRAKE ARM (NOT SHOWN)
6C	3309743	1	ARM-ENG LOCK
6D	430119	1	RUBBER CAP 1/2 ID
7	690250	1	TRAY- BATTERY, 24 SERIES
8	3335310M	1	WELD-FRAME, TIER 2,
9	3315203	2	RETAINER-HOPPER SIDE SEAL
10	3318143	2	FLAP-RUBBER HOPPER/FRAME SIDE
11	3307276	1	SEAL-FRAME HOPPER HORIZONTAL
12	3307281	1	STRAP-FRAME HOP FLAP PAINTED
13	3307287	2	STRAP-BROOM CORNER FLAP PAINTED
14	3307286	2	FLAP-BROOM CHAMBER CORNER
15	3307658	1	CHAIN-FRAME GROUNDING
16	3307283	1	STRAP-REAR FEED FLAP PAINTED
17	3307279	1	FLAP-REAR FEED
18	3307282	1	ANGLE-REAR FLAP PAINTED
19	3307278	1	FLAP-REAR HOPPER
20	3307280	2	FLAP-MAIN BROOM DOOR
21	3307275	2	HINGE-BROOM DOOR
22	3318739	2X 3.0'	WEATHERSTRIPPING-RUBBER SPONGE
23	3307265M	1	ASSY- BROOM DOOR RH
24	3307266M	1	ASSY- BROOM DOOR LH
25	3307246	1	LATCH-LH BROOM DOOR
26	3307247	1	LATCH-RH BROOM DOOR
27	3307248	2	BOLT-STRIKER BROOM DOOR LATCH
28	3307519M	1	SKIRT-RH SIDE
29	3307520M	1	SKIRT-LH SIDE
30	3307792	1	BAR-HOSE PAN SUPPORT
31	3307791	1	PAN-HOSE
32	3307284	2	STRAP - BROOM DOOR FLAP

HYDRAULIC BRAKE ASSEMBLY



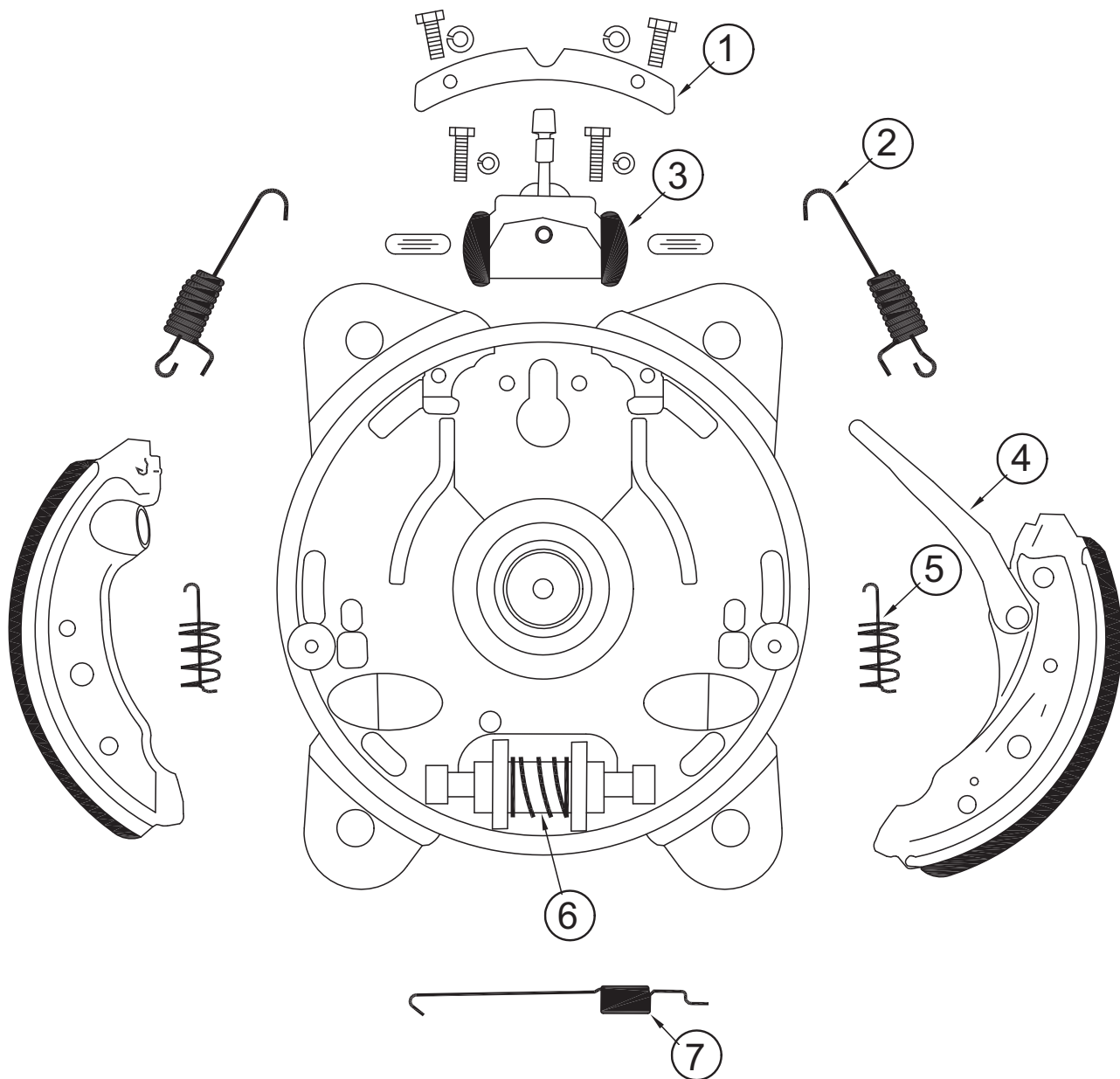


HYDRAULIC BRAKE ASSEMBLY			
ITEM	PART NO.	REQ'D	DESCRIPTION
1	3400035	2	SCR-HH 5/16-18 X 1.00 ZP GR 5
2	710009	8	SCR-FHSCS 5/8-18 X 1.25
3	711250	4	SCR-HH 3/8-16 X 1.25 ZP GR 5
4	711374	2	NUT-NYLOC 5/16-18 ZP
5	711380	2	NUT-NYLOC 3/8-16 ZP
6	711439	4	NUT-FLANGED WIZZ 3/8-16 ZP
7	713044	3	SCR-HH 3/8-16 X 1.50 ZP GR 5
8	713616	1	WASHER-FLAT 3/8 EG, HARDENED
9	3300367	1	PULLEY-2.50 DIA BUSHED " CABLE MAX BRAKE
10	3300368	1	PULLEY-PLASTIC 2" x .25" GROOVE
11	3300369	2	CAP-HUB, 2.44" DIA, ZP
12	3300411	10	NUT-WHEEL LUG, 1/2-20 X 5/8 60 DEGREE UN
13	3300413	1	PAD-RUBBER BRAKE PEDAL
14	3300467	2	BEARING-BALL 2.44 ODx1.18 ID
15	3301447	1	CLEVIS WITH PIN AND COTTER
16	3303552	1	SLEEVE-HAND BRAKE ZP
17	3306307	1	FTG-TEE HYD BRAKE
18	3306308	2	FTG-COUPLING, 3/16" OD HYD BRAKE, BRASS
19	3303169	2	LEVER-HAND BRAKE
20	3307232	1	BAR-BRAKE EQUALIZER
21	3317118	2	ASSY- BRAKE ARM MNT 8/9/10X BURGANDY
22	3307235	1	ROD-BRAKE MASTER CYLINDER, ZP
23	3307238	2	BEARING-INNER WHEEL SW/A
24	3307241	2	SPACER-HAND BRAKE, ZP SW/A
25	3307252	2	TIRE-PNEUMATIC 650x10
26	3307253	2	TUBE-TIRE INNER, 650x10
27	3307254	2	RIM FRONT INNER SW/A PNTD
28	620214	2	RIM SET FRONT, INNER & OUTER PAINTED
29	3307273	2	BAR-HAND BRAKE SPACER, ZP SW/A
30	3307352	2	WASHER-1.016 IDx1.50 ODx.25 THK, ZP
31	3307632	1	CABLE-CENTER BRAKE, SW/A
32	3307637-1	1	BRAKE LINE 3/16 20" LONG
33	3307638	1	FTG-REDUCER
34	3307861	11	PULLEY MOUNT #3
35	3307895	1	SPACER-THIN HAND BRAKE
36	3313109	1	SPRING-PEDAL RETURN

HYDRAULIC BRAKE ASSEMBLY			
ITEM	PART NO.	REQ'D	DESCRIPTION
37	3316717	1	CYLINDER-BRAKE MASTER, ARMA
38	3321450	1	BRAKE-8" ARMA L/H
39	3332483	2	BRAKE-DRUM 8" ARMA PAINTED
40	3321452	2	CABLE-8" PARKING BRAKE (HAND)
42	3321453	2	PLATE-8" BRAKE MOUNT RH&LH
43	3321455	1	BRAKE LINE-ARMA LH, SHORT
44	3321456	1	BRAKE LINE-ARMA RH, SHORT
45	3321457	1	BRAKE LINE-ARMA RH LONG
46	3321459	1	BRAKE LINE-ARMA LH LONG
47	3321471	1	BRAKE-8" ARMA R/H
48	3332271	6	CLAMP - HALF CLIP .375 DIA STEEL
49	3337386	1	PLT - BRAKE PEDAL
50	3337539	1	WELDMENT - BRAKE BAR, HYD. ARMADILLO
51	3343082	2	CLAMP - WIRE & TUBE .562 DIA STEEL
52	3400011	8	SCR-FHSCS 5/8-11 x 1.00 ZP
53	712010	20	SCR-HH 1/2-13 X 1.25 ZP GR 5
54	3400043	2	SCR-HH 1/4-20 X .50 ZP GR 5 FULL THRD
55	3400075	2	NUT-JAM 3/8-24 ZP
56	3400076	2	NUT-CASTLE 1-14 ZP SLOTTED JAM
57	711376	20	NUT-NYLOC 1/2-13 ZP
58	711506	4	WASHER-FLAT 5/16 X.688 X .065 ZP
59	711545	6	WASHER-LOCK 5/16 SPLIT ZP
60	711544	2	WASHER-LOCK 1/4 SPLIT ZP
61	3400118	1	PIN-CLEVIS 5/16 X .875 ZP
62	3400120	2	PIN-COTTER 5/32 X 2.00 ZP
63	3400125	4	RING-RUE 3/8
64	3400184	1	PIN-CLEVIS 5/16 X 1-1/8 ZP
65	3400185	2	PIN-CLEVIS 5/16x1-1/4 ZP
66	3400207	6	SCR-HH 5/16-18 X 0.50 ZP GR 5
67	3400278	4	WASHER-FENDER 3/8 X 1.25 ZP
68	3400385	4	WASHER-CONICAL SPRING 3/8
69	3400473	2	SCR-HH 3/8-16 X 3.00 ZP GR 5 FULL THREAD
70	3400969	2	FTG-ADAP M10X1.0 3/16 TUBE 3/8-24 FTHD
71	3401451	1	NUT-JAM 7/16-20 ZP
72	3401479	3	NUT-NYLOC 3/8-16 ZP YELLOW GR 8
73	3321470	2	CLEVIS-BRAKE 8MM

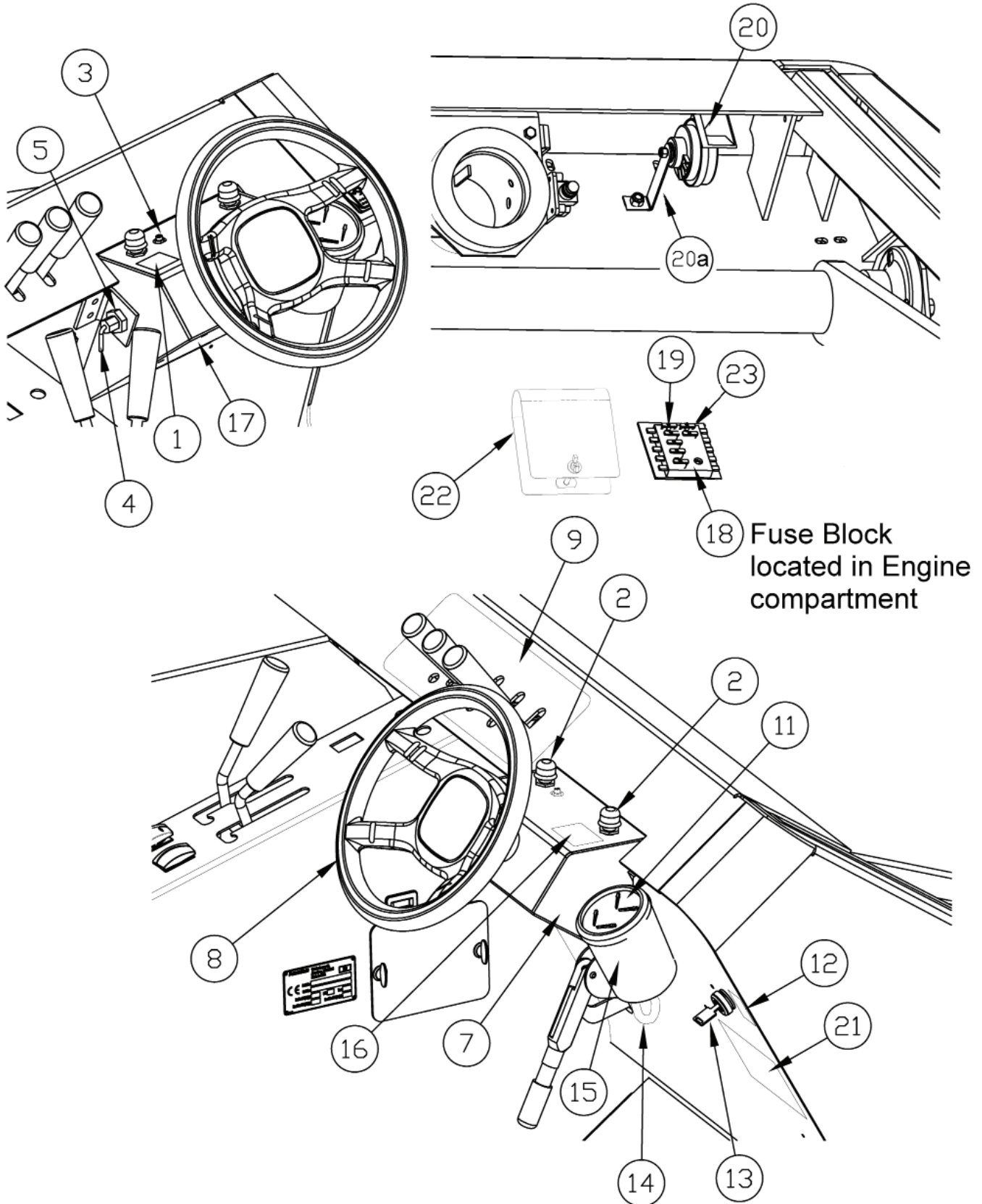
BRAKE - 8" ARMA L/H PN-3321450

BRAKE - 8" ARMA R/H PN-3321471

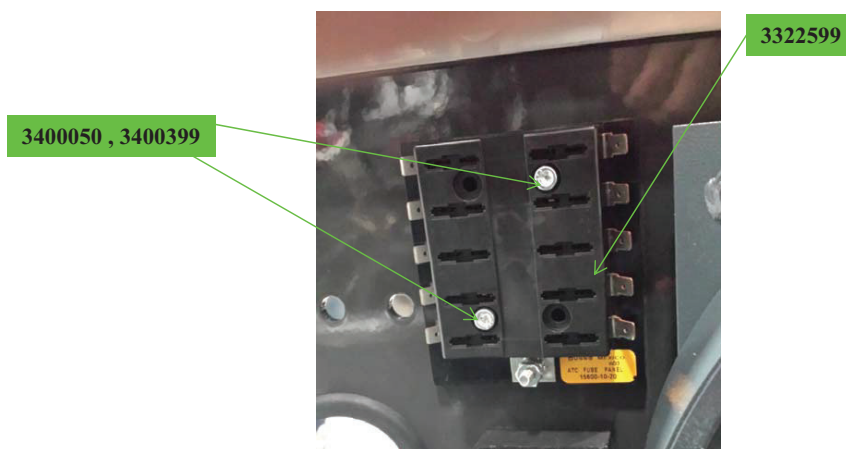


BRAKE - 8" ARMA L/H PN-3321450			
BRAKE - 8" ARMA R/H PN-3321471			
ITEM	PART NO.	REQ'D	DESCRIPTION
1	3321462	1	RETAINER-BRAKE 8" PLATE
2	3321465	2	SPRING-TENSION
3	3321461	1	ASSEMBLY-WHEEL CYLINDER, 8" BRAKE
4	3321467	1	BRAKE SHOE SET-8" LH (SHOWN)
4	3334766	1	BRAKE SHOE SET-8" RH (NOT SHOWN)
5	3321466	2	SPRING-HOLD DOWN
6	3321463	1	ASSEMBLY-MANUAL BRAKE ADJUSTER
7	3321464	1	SPRING-RETURN, 8" BRAKE

STEERING WHEEL, GAUGES & FUSES

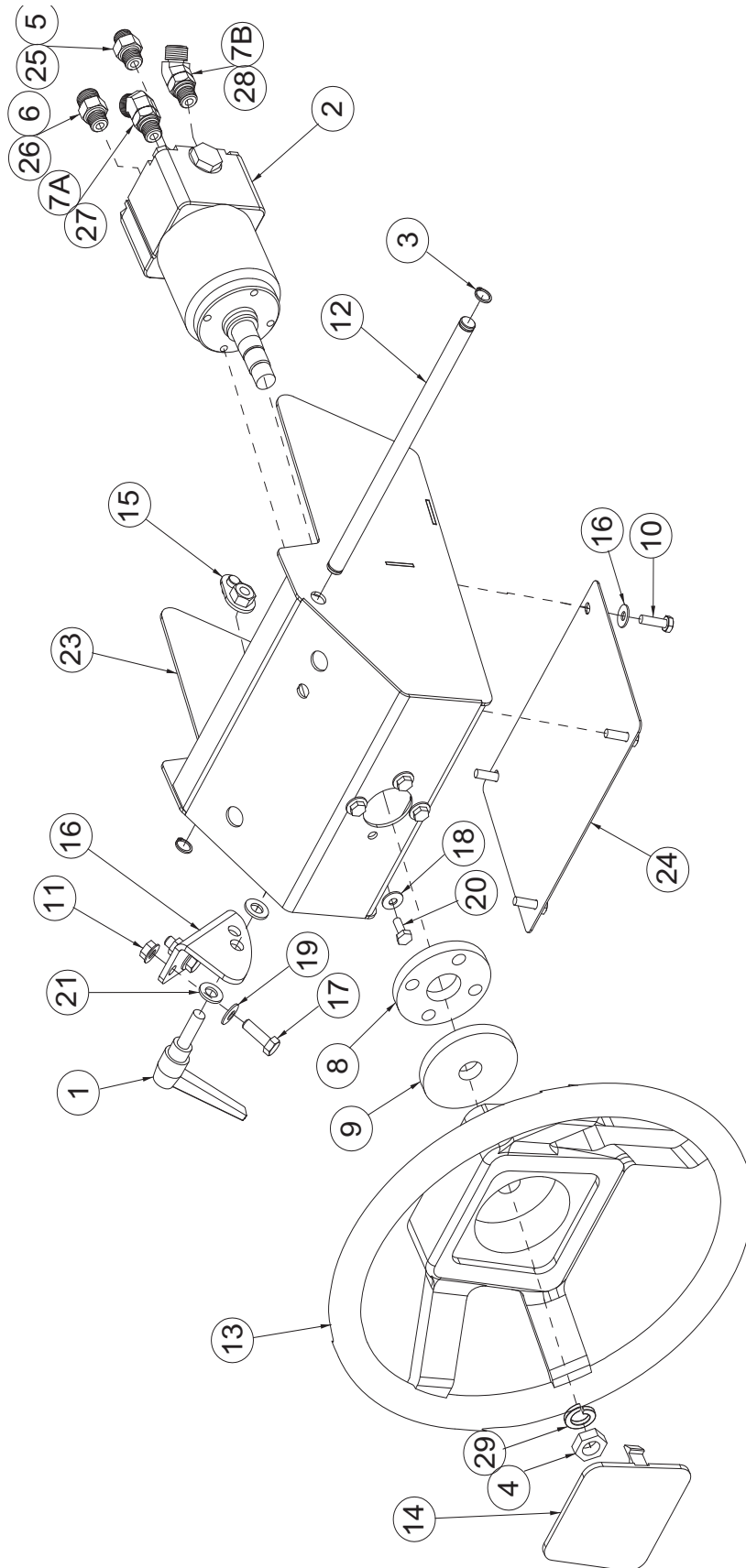


STEERING WHEEL, GAUGES & FUSES			
ITEM	PART NO.	REQ'D	DESCRIPTION
1	3302520	1	DECAL-"FILTER SHAKER"
2	749073	2	SWITCH, HORN W/HARNESS
3	3026924	1	CIRCUIT BREAKER-45 AMP
4	600260	1	KNOB LEVER
5A	3338622	1	WDT - TILT STEERING LOCK
5B	3400192	2	NUT-HEX JAM 5/8-11 ZP
5C	12310058	1	WSR-FLT M10.5 X 20 X 2 STL
7	3338616P	1	WDT - AM9D TILT STEERING BOX
8	610000	1	STEERING WHEEL
9	3307594	1	DECAL-FRONT PANEL SW/A
11	3333721	1	GAUGE-4 IN 1, 3.50" DIA
12	3307599	1	DECAL-IGNITION SW/A
13	749072	1	SWITCH, IGNITION W/HARNESS
14	3335096	1	HARNESS-GAUGE
15	3333719P	1	WELDMENT-GAUGE MOUNT
16	3302525	1	DECAL-"HORN"
17	3338621P	1	COVER - PLT, TILT STEERING, AM9D
18	3322599	1	FUSE BLOCK-ATO, 10 POSITON
19	3322601	5	FUSE-15 AMP AUTOMOTIVE PUSH IN
20	3300379	1	HORN-AUTOMOTIVE 12V STANDARD
20a	704202	1	HORN MOUNTING BRACKET
21	3301854	1	DECAL-CAUTION
22	690104	1	ASSY, RUBBER FUSE BOX COVER
23	3335380	2	FUSE-25 AMP STD, AUTO



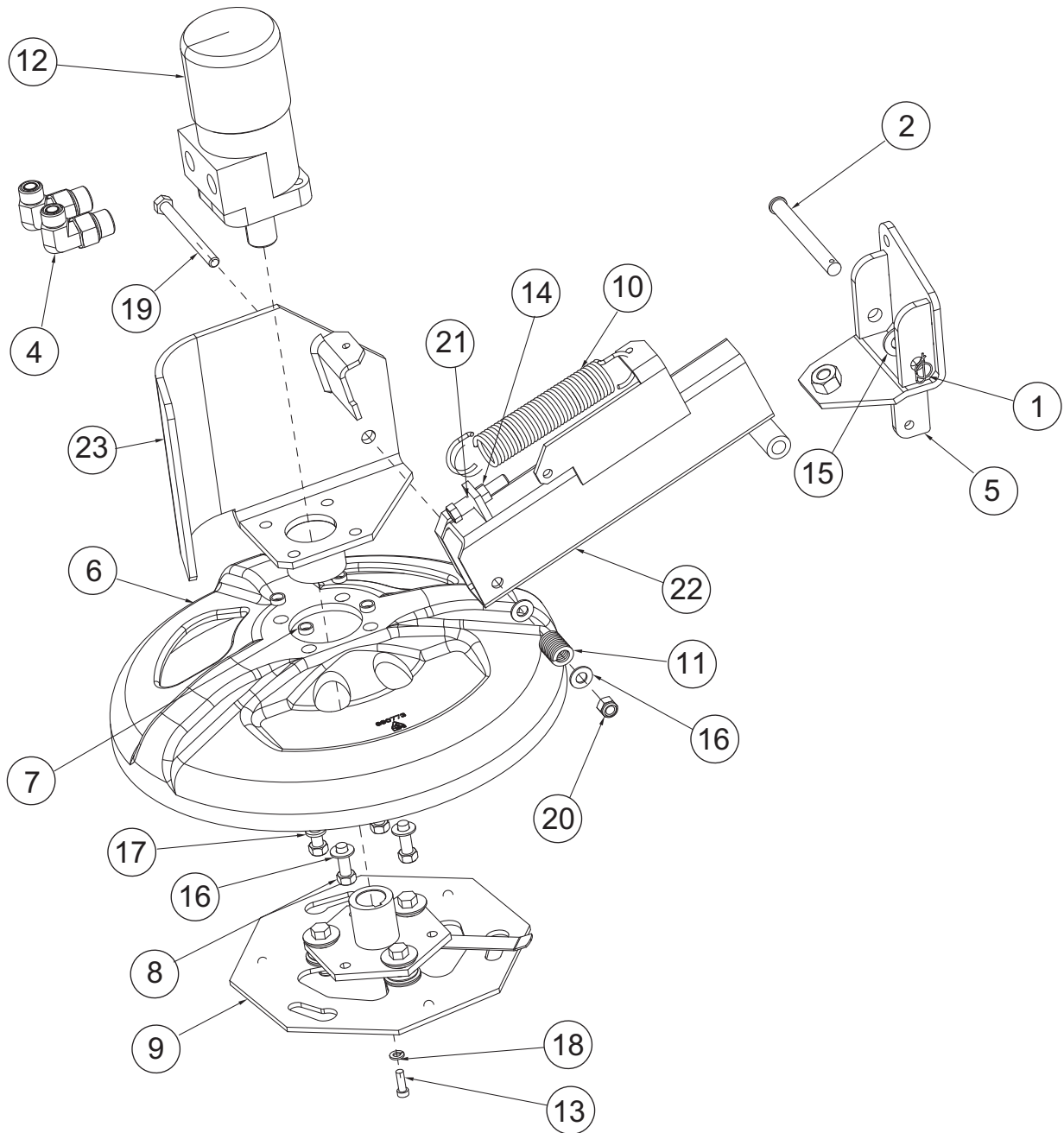
NOTE: Do Not Forget to install **690103** rubber flap to protect fuse box.

STEERING COLUMN



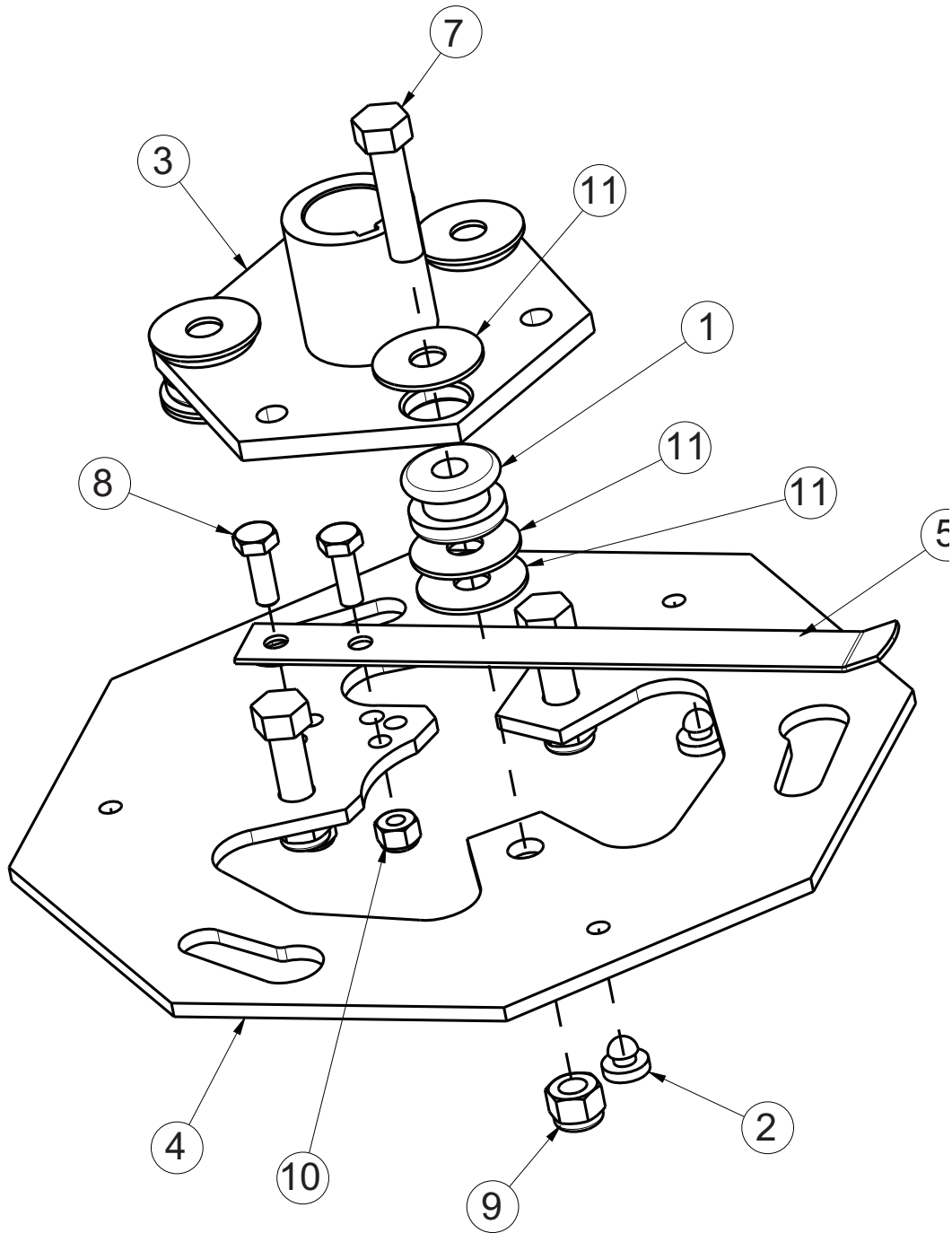
STEERING COLUMN			
ITEM	PART NO.	REQ'D	DESCRIPTION
1	600260	1	KNOB, LEVER
2	600368	1	STEERING UNIT
3	600569	2	RETAINING RING, EXT .50 HD
4	620057	1	NUT, JAM M16-1.50 STL ZP
5	675511	1	FTG-STR THD CONNECTOR -4 ORFS TO -6 SA
6	675515	1	FTG-STR THD CONNECTOR -6 ORFS TO -6 SA
7A	675552	1	FTG-STR THD 45 -6 ORFS TO -6 SAE
7B	675552	1	FTG-STR THD 45 -6 ORFS TO -6 SAE
8	690152	1	DUST RING, STEERING
9	690160	1	DUST RING, STEERING, UPPER
10	711206	4	BLT-HH 1/4-20 X .87 STL ZINC
11	711379	2	NUT-FLANGED WIZZ 5/16-18
12	750075	1	SHAFT - TILT STEERING PIVOT
13	610000	1	STEERING WHEEL
14	610001	1	COVER, STEERING WHEEL
***	610003	1	STEERING WHEEL KNOB (NOT SHOWN)
15	3338622	1	WDT - TILT STEERING LOCK
16	3338625	1	BRKT - TILT STEERING
17	3400035	2	SCR-HEX,5/16-18X1.00 ZP
18	3400383	8	WASHER-CONICAL SPRING 1/4
19	3400384	2	WASHER-CONICAL SPRING 5/16
20	11038072	4	BOLT, M6-100 X 16H
21	12310058	2	WSR-FLT M10.5 X 20 X 2 STL 140HV ZD DIN
23	3338616P	1	WDT - AM9D TILT STEERING BOX
24	3338621P	1	COVER - PLT, TILT STEERING, AM9D
25	675407	1	HYD HOSE - AUX PUMP TO PS UNIT
26	675411	1	HYD HOSE - PS UNIT TO ROT ACT P2
27	675409	1	HYD HOSE - PS UNIT TO RESV
28	675410	1	HYD HOSE - PS UNIT TO ROT ACT P1
29	712315	1	WASHER-LOCK 5/8 SPLIT ZP

SIDE BROOM ASSEMBLY - DRIVE MOTOR, ARM, AND MOUNTING



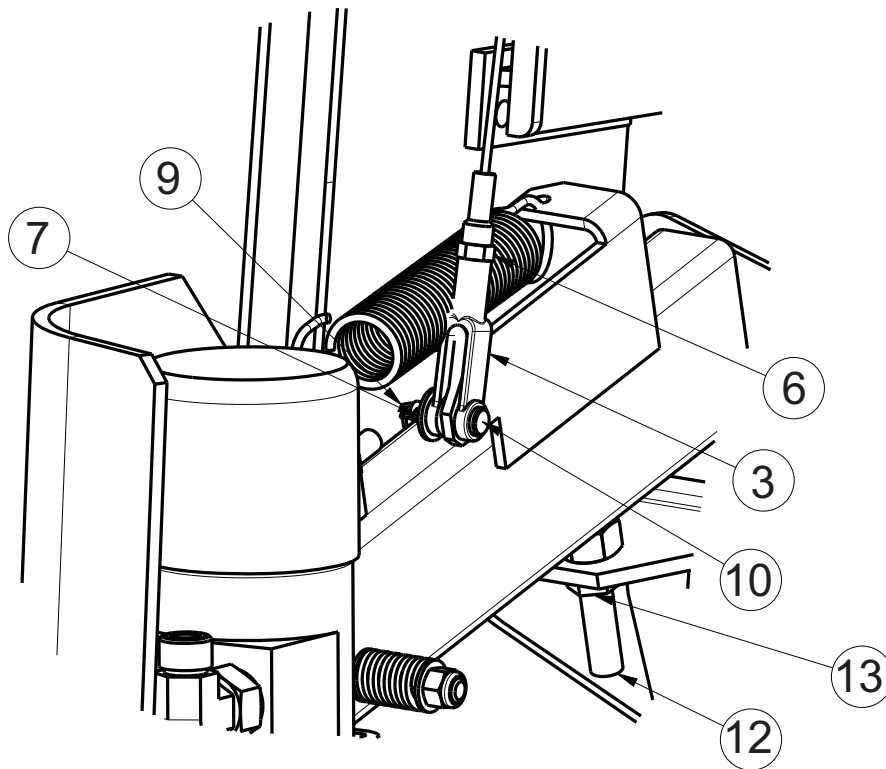
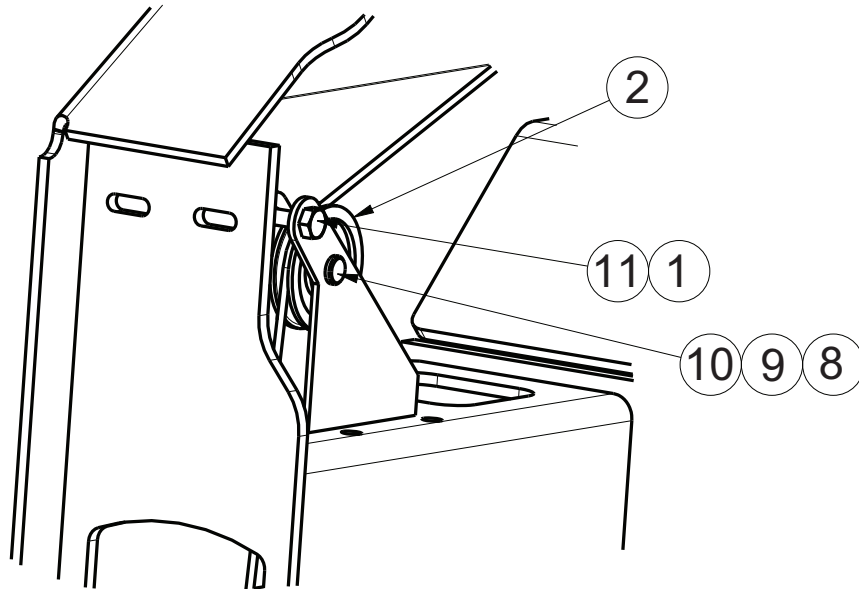
SIDE BROOM ASSEMBLY - DRIVE MOTOR, ARM, AND MOUNTING			
ITEM	PART NO.	REQ'D	DESCRIPTION
1	3400124	1	RING-RUE 5/8
2	620027	1	PIN-CLEVIS 1/2 X 4.50 ZP
3	675452	1	HOSE KIT - 9X/AM9D CURB BROOM (NOT SHOWN)
4	675528	2	FTG-ORFS 90 ELBOW -8 -10 SAE
5	690613	1	WELDMENT, RH SB MNT
6	690773	1	SHROUD, SIDE BROOM
7	690784	4	SPACER- .500 OD, .382 ID, .188 THK, ALU
8	711251	4	SCR-HH 3/8-16 X 1.125 GR 5 ZP
9	3301474	1	ASSY- DRIVE SCRUB BRUSH CB SUB
10	3302599	1	SPRING-EXT LOOPS-IN-LINE ZP
11	3306179	1	SPRING-COMPRESSION, CURB BROOM
12	3316897	1	MOTOR-HYD CURB BROOM
13	3400049	1	SCR-SHCS 1/4-20 X 0.75 BLK OX NYL PATCH
14	3400068	1	NUT-HEX 3/8-16 ZP GR 5
15	3400086	1	WASHER-FLAT 1/2 ZP
16	712301	6	WASHER-FLAT 3/8 ZP
17	711546	4	WASHER-LOCK 3/8 SPLIT ZP
18	711544	1	WASHER-LOCK 1/4 SPLIT ZP
19	3400258	1	SCR-HH 3/8-24 X 4.00 ZP GR 5
20	3400342	1	NUT-NYLOC 3/8-24 ZP
21	3401454	1	SCR-HH 3/8-16 X 2.00 ZP GR 5 TAP
22	3307527P	1	WELD-RH CURB BROOM ARM, AM9D
23	3307654P	1	RH SIDE BROOM MOUNT, AM9D

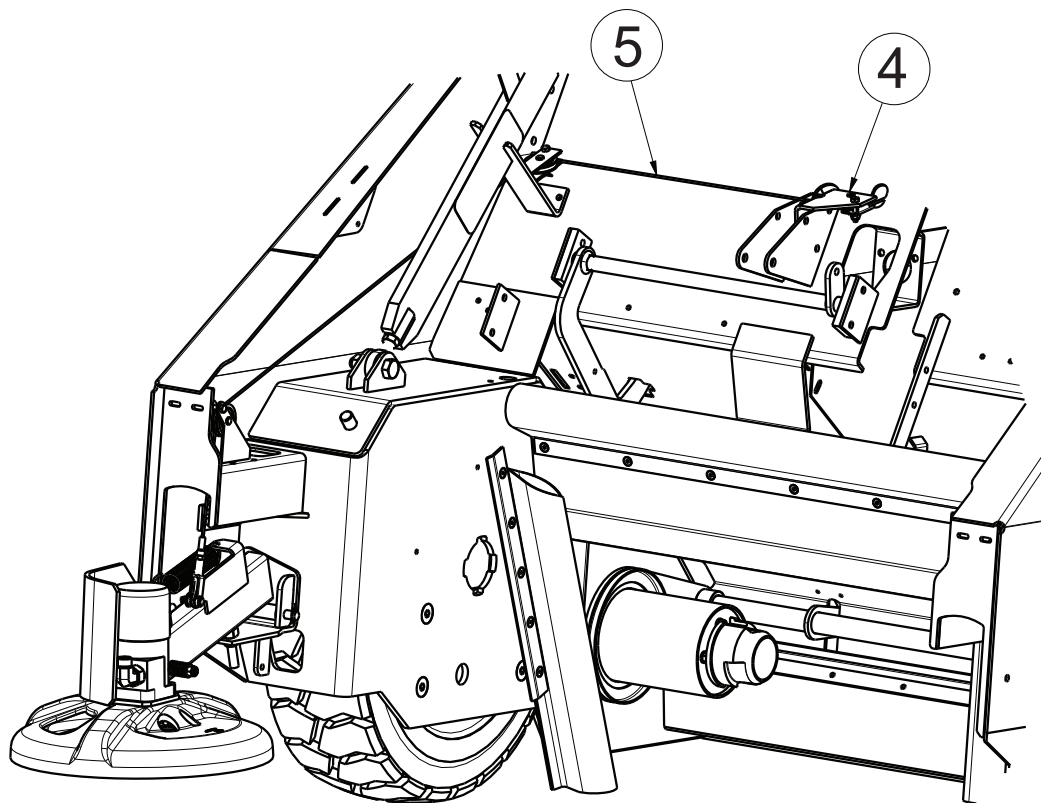
SIDE BROOM SUB ASSEMBLY - 3301474



SIDE BROOM SUB ASSEMBLY - 3301474			
ITEM	PART NO.	REQ'D	DESCRIPTION
1	3300465	3	ISOLATOR-RUBBER (.375ID X .81OD)
2	3300526	3	BUMPER-RUBBER 1/4 ID X 1/8 THK
3	3300875	1	DR HUB SC BR
4	3301262	1	PLATE-GIMBAL SC HD PLTD
5	3302058	1	BAR-CURB BROOM RETAINER ZP
7	713044	3	SCR-HH 3/8-16 X 1.50 ZP GR 5
8	713002	2	SCR-HH 1/4-20 X .75 ZP 5
9	711380	3	NUT-NYLOC 3/8-16 ZP
10	711373	2	NUT-NYLOC 1/4-20 ZP
11	3400278	9	WASHER-FENDER 3/8 X 1.25 ZP

SIDE BROOM ASSEMBLY - ADJUSTMENT COMPONENTS

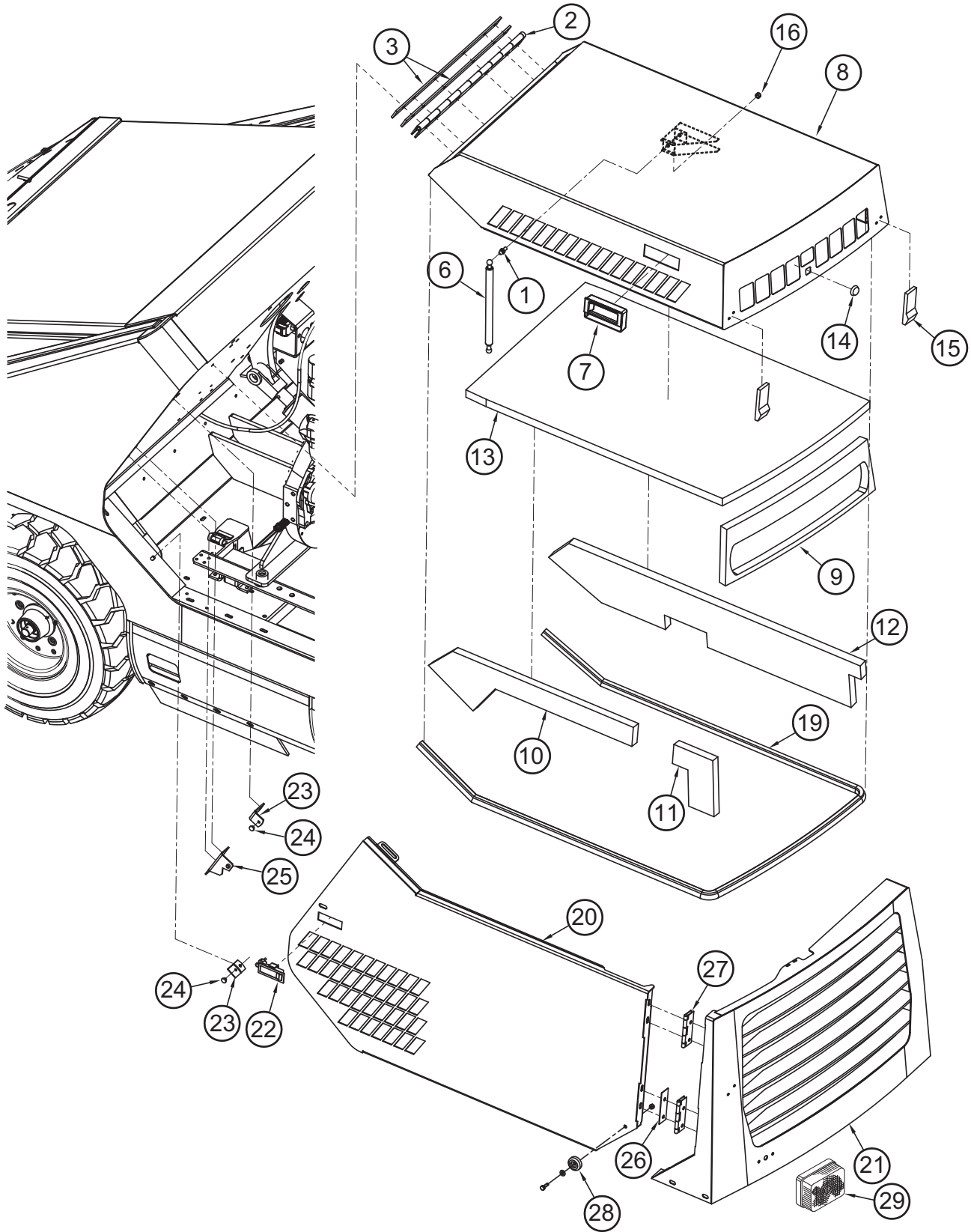




SIDE BROOM ASSEMBLY - ADJUSTMENT COMPONENTS

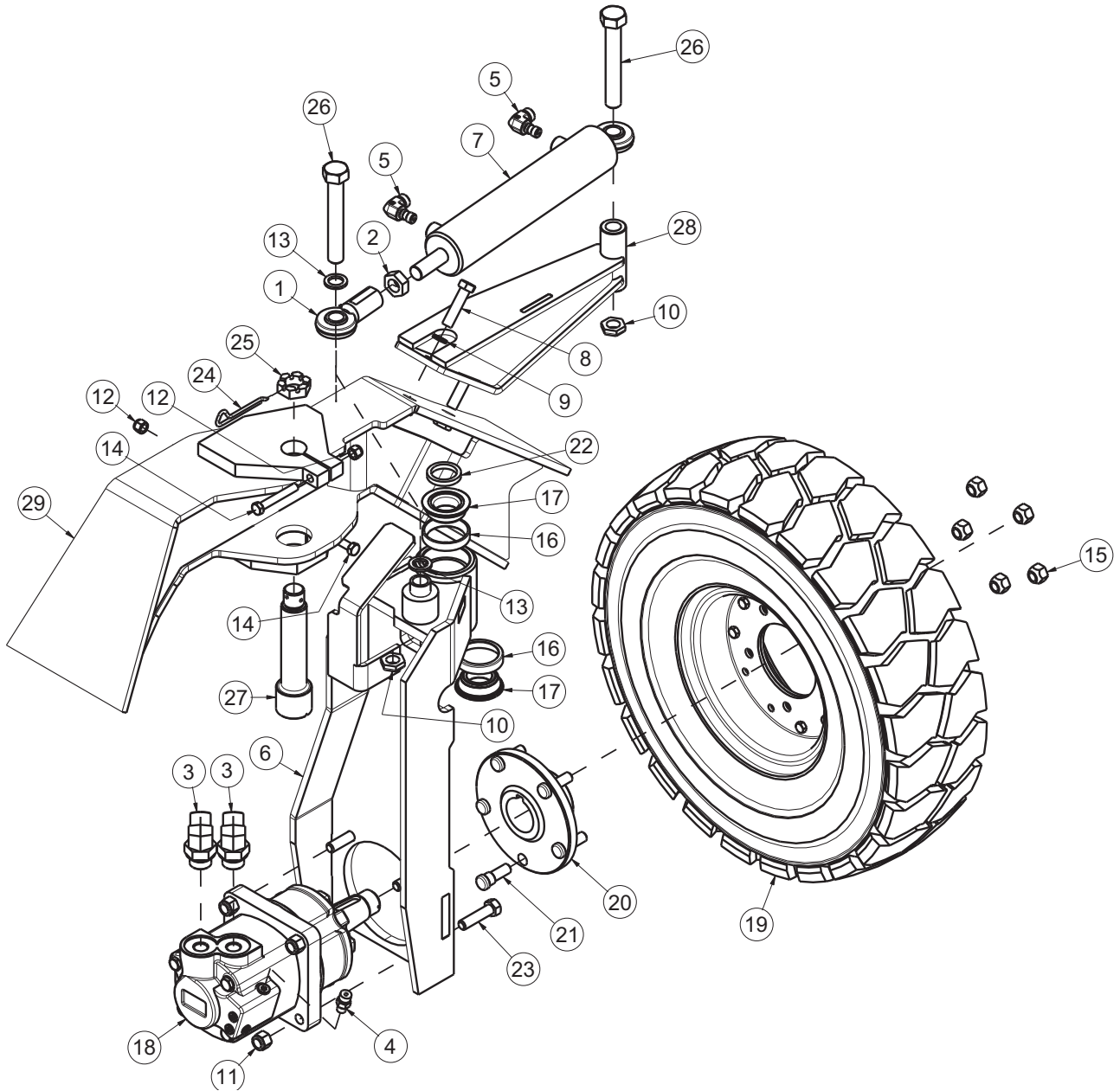
ITEM	PART NO.	REQ'D	DESCRIPTION
1	711373	3	NUT-NYLOC 1/4-20 ZP
2	3300368	3	PULLEY-PLASTIC 2" x .25" GROOVE
3	3307642	1	CLEVIS-5/16 PLTD SW/A
4	3307861	1	PULLEY MOUNT #3
5	3335120	1	CABLE-SIDE BROOM, ARMA
6	711322	1	NUT-HEX 5/16-24 ZP
7	712301	1	WASHER-FLAT 3/8 ZP
8	711506	3	WASHER-FLAT 5/16 X.688 X .065 ZP
9	3400125	4	RING-RUE 3/8
10	3400184	4	PIN-CLEVIS 5/16 X 1-1/8 ZP
11	3400227	3	SCR-HH 1/4-20 X 1.25 ZP GR 5
12	3400404	1	SCR-SET 1/2-20 X 3.00 BLK OX CP SQUARE H
13	3400449	1	NUT-JAM 1/2-20 ZP

ENGINE COVER, SIDE DOOR, LATCH & REAR GRILL



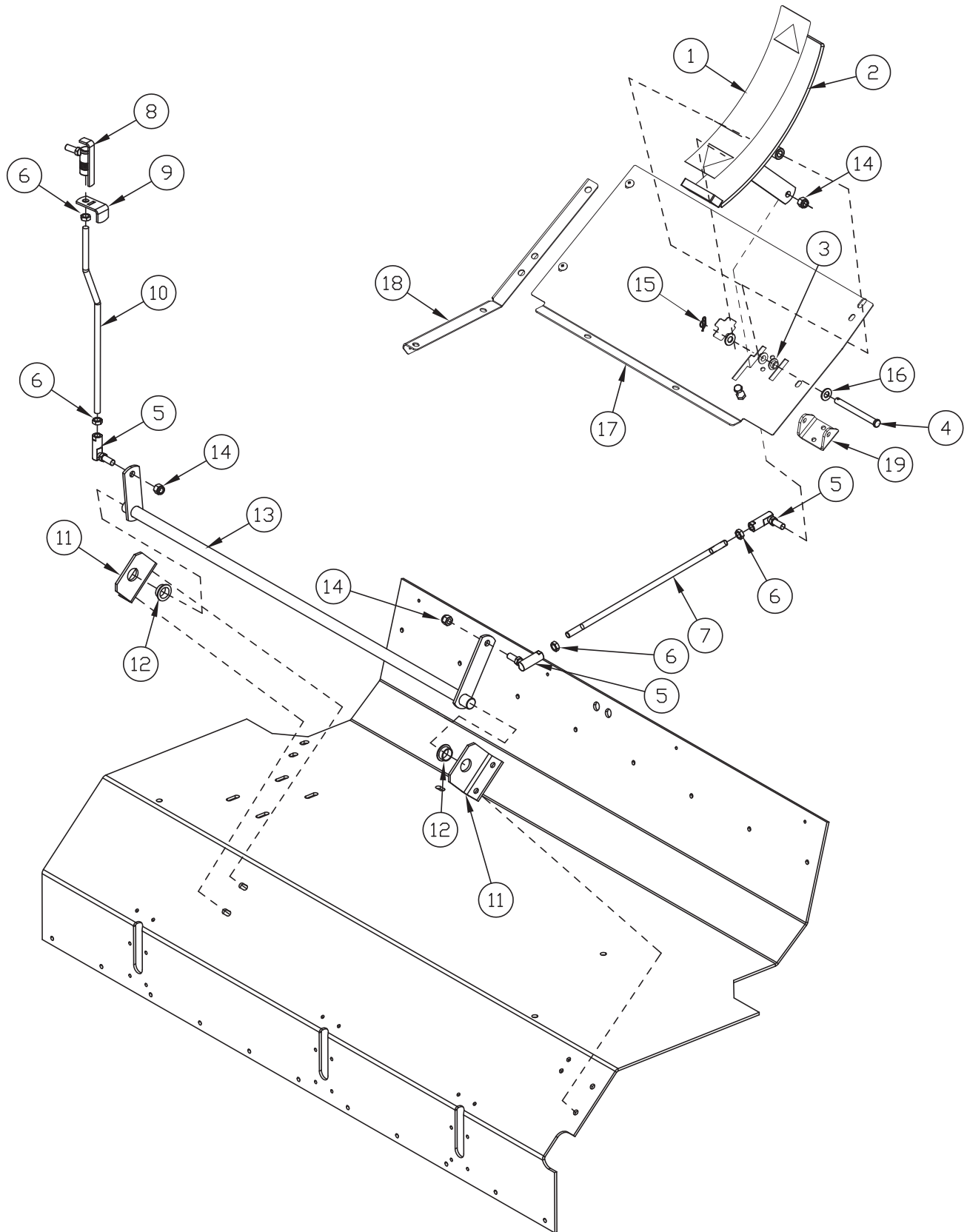
ENGINE COVER, SIDE DOOR, LATCH & REAR GRILL			
ITEM	PART NO.	REQ'D	DESCRIPTION
1	3300376	1	STUD-BALL 10MM
2	3307503	1	HINGE ENGINE COVER
3	3307504	2	SPACER ENGINE COVER HINGE FRAME SIDE
6	3308767L	1	GAS SPRING-8" STROKE, LOCKING
7	3335146	1	HANDLE - RECESSED NYLON INSET (.07-.13 WALL)
8	3336780M	1	ENGINE COVER 9X, ORANGE
	3336780BRM		ENGINE COVER 9X, BURGUNDY
9	690129	1	INSULATION - ENG COVER BACK
10	690127	1	INSULATION - ENG COVER LH FRONT PANEL
11	690128	1	INSULATION - ENG COVER LH BACK PANEL
12	690130	1	INSULATION - ENG COVER RT 9X
13	690131	1	INSULATION - ENG COVER TOP 9X
14	3330356	1	PLUG-PLASTIC HOLE, 3/4, 7 GA
15	3307719	2	LATCH-RUBBER SOFT
16	711374	1	NUT-HEX 5/16-18 ES
19	3500198	8.5'	SEAL-TRIM 90 DEG. MOUNT
20	3336786M	1	SIDE DOOR 9X, ORANGE
	3336786BRM		SIDE DOOR 9X, BURGUNDY
21	3335437M	1	RADIATOR GUARD 9X , ORANGE
	3335437BRM		RADIATOR GUARD 9X , BURGUNDY
22	3300380	1	LATCH ASSY-#C2-10-301-50
23	3335015	2	PLATE-STOP, SIDE DOOR, ARMA PLATED
24	3300526	2	BUMPER-RUBBER 1/4IDx1/8 THK
25	3335174	1	SIDE DOOR STRIKE ARMA
26	3307560	-	SPACER-METAL, 0.060" SIDE DOOR SW/A
27	3307513	2	HINGE-SIDE DOOR
28	3302482	1	BUMPER-RUBBER, 1.5" DIA, 5/8 THK
29	3303204-2	1	TAIL LIGHT - 12V COMBINATION ASSY

REAR DRIVE ASSEMBLY



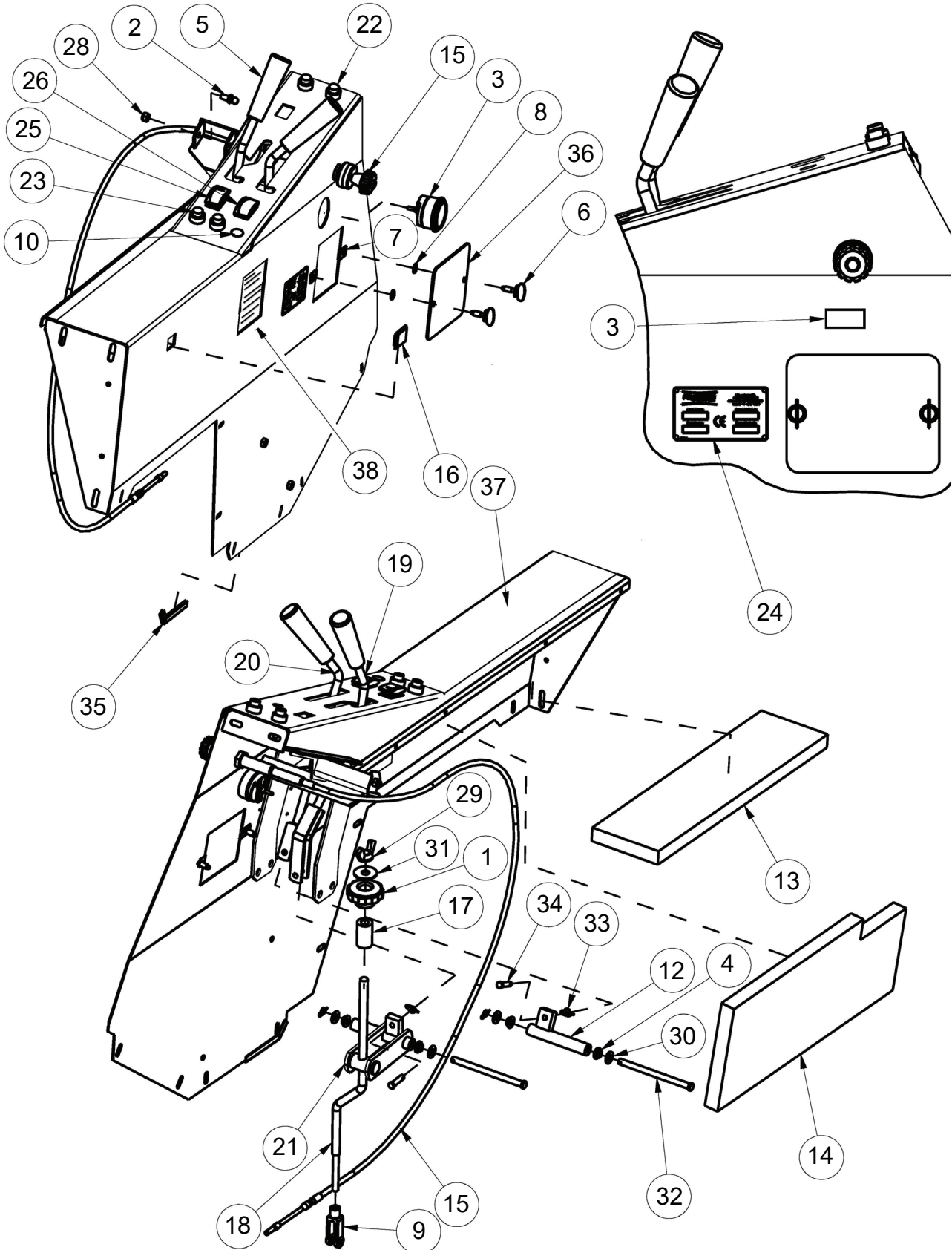
REAR DRIVE ASSEMBLY			
ITEM	PART NO.	REQ'D	DESCRIPTION
1	600178	1	ROD END FEM 3/4-16 W/ZERK
2	600939	1	NUT 3/4-16 JAM
3	675501	2	FTG-45 DEG STR ELBOW -10 ORFS TO -12 SAE
4	675508	1	FTG-STR THD CONNECTOR -4 ORFS TO -4 SA
5	675518	2	FTG-STR THD ELBOW -6 ORFS TO -5 SAE
6	690003	1	CYL STEERING FORK
7	690025	1	STEERING CYL
8	710120	2	SCREW, HHCS, 1/2-13 X 2 GRD 8
9	710121	2	WASHER, NORDLOCK (2PC), 1/2 CARBON STEEL
10	710122	2	NUT, 3/4-10, NYLON LOCKING, LOW PROFILE
11	711376	4	NUT-NYLOC 1/2-13
12	711380	2	NUT-NYLOC 3/8-16 NUT
13	712318	2	WSR- FLAT .75 X 1.12 X .12 PL
14	713048	2	BLT-HH 3/8-16 X 2 1/2 #5
15	3300411	5	NUT-WHEEL LUG, 1/2-20 UNF
16	3300470	2	BEARING-TAPERED ROL CUP
17	3300471	2	BEARING-TAPERED ROLCONE W/SEAL
18	3306809	1	MOTOR - HYD, 400 SERIES
19	3307021	1	ASSY-TIRE REAR
	3335643		ASSY-TIRE REAR, CE
20	3307347P	1	HUB-REAR SW/A, BLACK
21	3307348	5	STUD - WHEEL, 1/2-20X 1.63 (REAR SW/A)
22	3337860	1	SPACER-STEERING FORK
23	3400020	4	SCR-HEX, 1/2-13 X 2.00 ZP
24	3400120	1	PIN-COTTER 5/32 X 2.00 ZP
25	3400223	1	NUT-SLOTTED, 1-20 UNEF
26	3400422	2	SCR-HEX, 3/4-10 X 5.00 ZP
27	3307349P	1	PIN - REAR FORK
28	3317370P	1	WELDMENT-CYL STEERING MOUNT
29	REF	1	WELDMENT- FRAME, AM9D/9X

DIRECTIONAL CONTROL LINKAGE ASSEMBLY



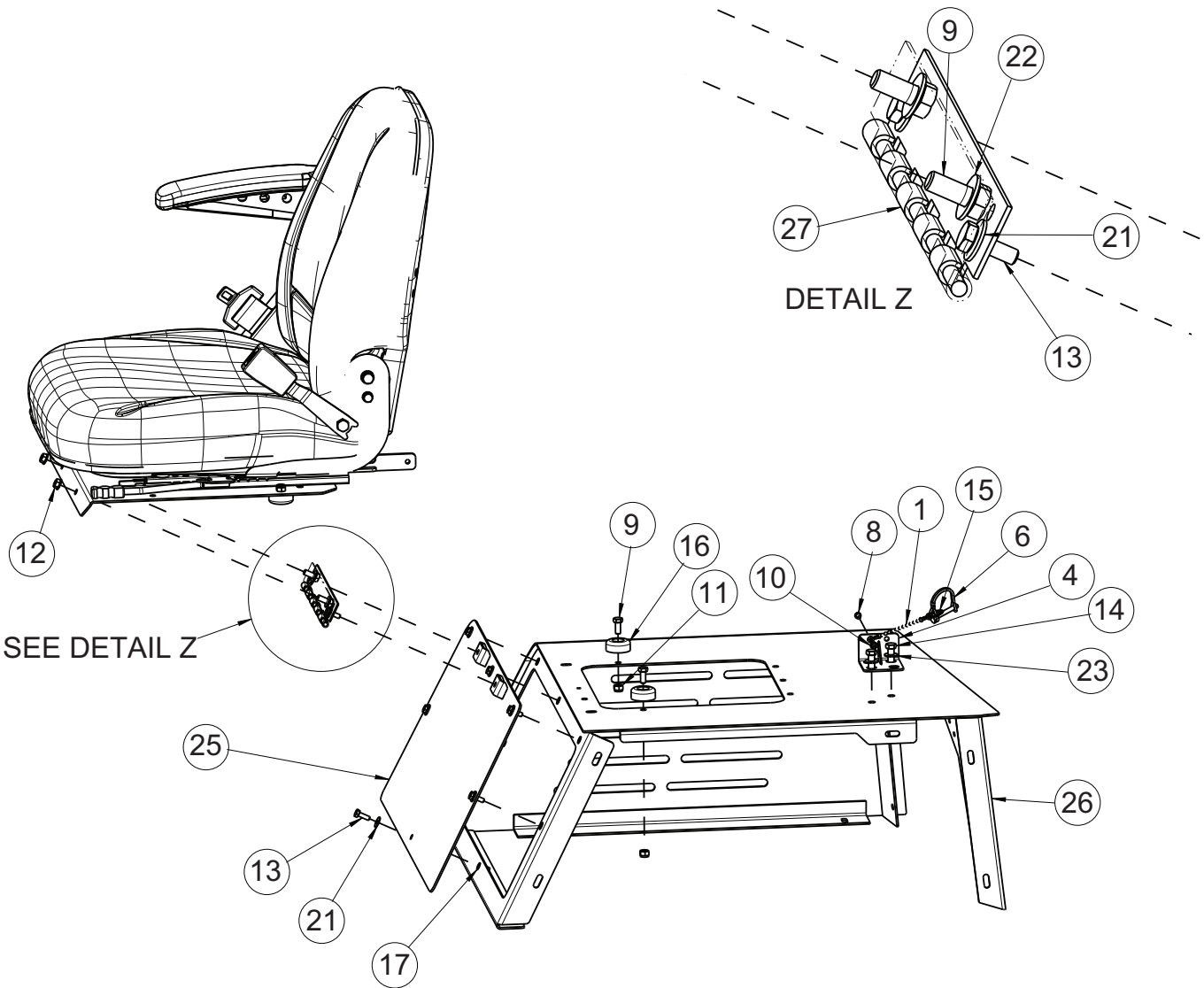
DIRECTIONAL CONTROL LINKAGE ASSEMBLY			
ITEM	PART NO.	REQ'D	DESCRIPTION
1	3335609	1	PAD-FOOT PEDAL, ANTI-SKID, 2" X 9.5"
2	3337390	1	PEDAL - FWD/REV, 1-PC
3	3300414	2	BUSHING-PLASTIC FLANGED, .375IDx.50OD
4	711681	1	PIN-CLEVIS, 3/8x4
5	3300461	2	BALL JOINT-3/8-24
6	3400075	4	NUT-JAM, 3/8-24
7	3307222	1	ROD-DIRECTIONAL CONTROL, DIESEL
8	3307611	1	QUICK RELEASE- FWD/REV
9	3307613	1	HANDLE-QUICK RELEASE
10	3307938	1	ROD-DIRECTIONAL CONTROL DIESEL
	3307221		ROD-DIR CONTROL ENG GAS/LP
11	3307223	2	MOUNT-DIRECTIONAL CONTROL BUSHING
12	3307220	2	BUSHING-PLASTIC FLANGED, .76IDx.88OD
13	3307215	1	DIRECTIONAL TORQUE TUBE
14	3400342	4	NUT-HEX 3/8-24 ES ZP
15	3400125	1	PIN-COTTER 3/8 RUE-RING
16	712301	1	WASHER-FLAT 3/8 STANDARD ZP
17	3337387P	1	FLOOR BOARD - UPPER, AM9D
18	3337542	1	ASSY - 9XR FLOORBOARD LEDGE
19	3337389	1	MOUNT - FWD/REV PEDAL

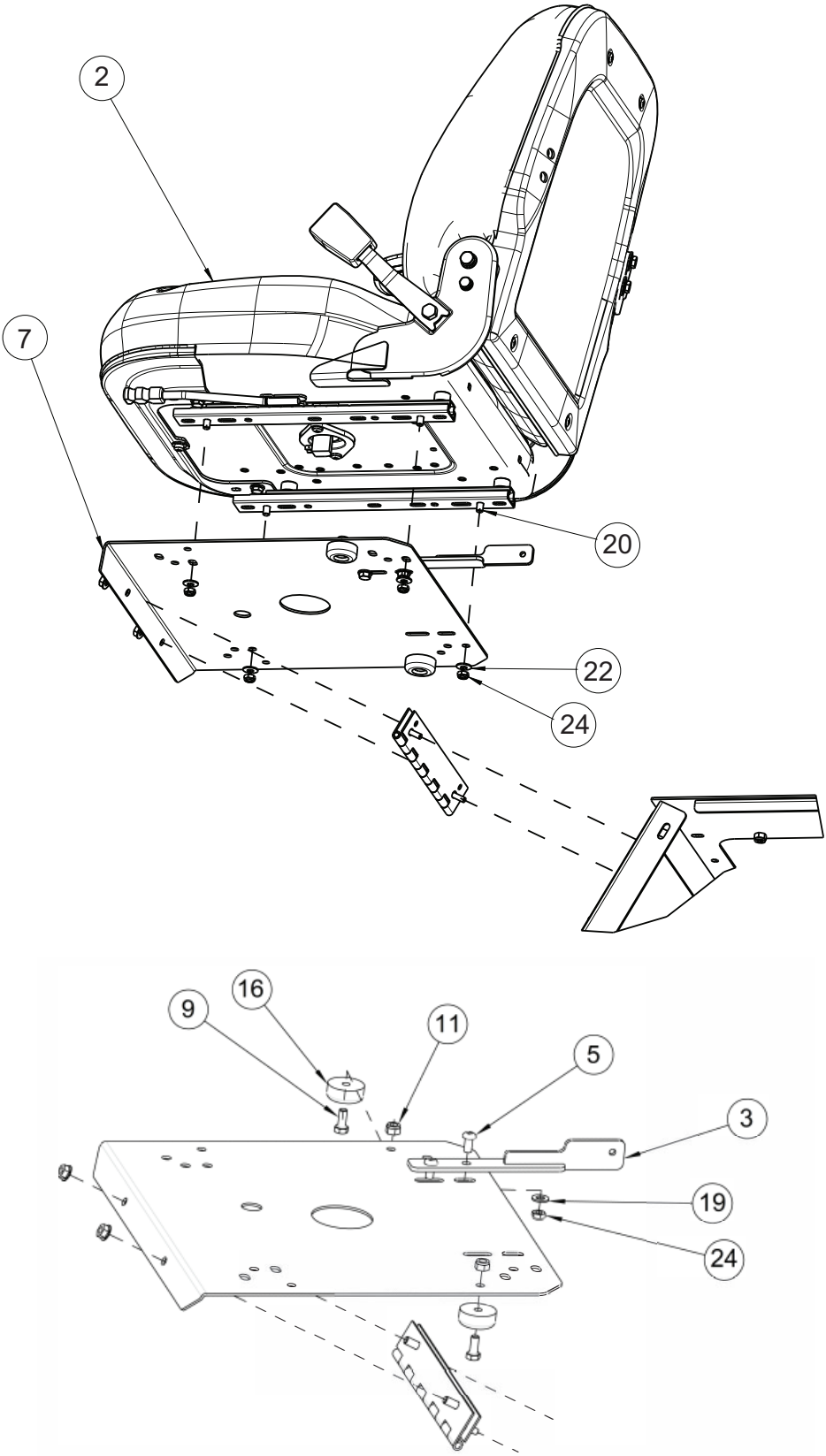
CONSOLE ASSEMBLY



CONSOLE ASSEMBLY (3335637)			
ITEM	PART NO.	REQ'D	DESCRIPTION
1	3300352	1	KNOB-MB LIFT ADJ
2	3300376	1	STUD-BALL, GAS SPRING, 5/16-18
3	3336094	1	GAUGE-HOURMETER, DIGITAL, SNAP (AFTER SN-18168059)
4	3300414	4	BUSHING-PLASTIC 3/8IDx1/2OD
5	600264	2	HANDLE CONTURED
6	3301147	2	SCR-5/16 ACME THD, WING HEAD,
7	3301155	2	CLIPNUT-5/16-18
8	711744	2	RETAINER 5/16 PUSH NUT BOLT
9	3301447	1	CLEVIS WITH PIN AND COTTER
10	3301669	1	PLUG-PLASTIC, 11/16 DIA
12	3307614	1	WELD-PIVOT SB LIFT
13	3307846	1	INSULATION-CONSOLE TOP
14	3307847	1	INSULATION-DRIVER COMP SIDE
15	3337966	1	CABLE- THROTTLE (DSL ONLY)
16	3323529	1	PLUG-CARLING CONTURA SWITCH
17	3333672	1	SPACER-MB LIFT ROD
18	3334984	1	ROD-MAIN BROOM, LOWER
19	3338296	1	WELD-ROD,MAIN BROOM, UPPER, ZP
20	3338297	1	WELD-ROD,SIDE BROOM, UPPER, ZP
21	3335112P	1	WELD-LIFT ARM, MAIN BROOM,
22	3335320	1	ASSY- LIGHTS, RTR INDICATOR, 9X TIER 2
23	3335703	1	ASSY- LIGHTS, INDICATOR 9XV DIESEL
	3335322		ASSY- LIGHT, CHECK ENGINE, 9XR GAS/LPG
24	715731	1	ID PLATE-SERIAL# INFO
25	3342705	1	SWITCH-BASE, DPST CONTURA ROCKER
26	3343912	1	SW-ROCKER CONTURA DPDT ON-OFF (DSL ONLY)
	3342703		SWITCH-ROCKER, DPDT CONTURA NO LENS (LPG/GAS)
28	711374	1	NUT-NYLOC 5/16-18
29	3400084	1	NUT-WING 1/2-13
30	712301	4	WASHER-FLAT 3/8 STANDARD ZP
31	3400091	1	WASHER-FENDER 1/2 ZP
32	3400113	4	PIN-CLEVIS 3/8x5-1/2 ZP
33	3400125	4	PIN-COTTER 3/8 RUE-RING
34	3400185	2	PIN-CLEVIS 5/16x1-1/4
35	3500118		EDGING-VINYL TRIM 1/8" X 250' (Sold Per Foot)
36	650150SOR	1	COVER BROOM ADJ, 9X ORANGE
	650150BR		COVER BROOM ADJ, 9X BURGUNDY
37	3335003M	1	CONSOLE, 9X, ORANGE
	3335003BRM		CONSOLE, 9X, BURGUNDY
38	3301854	1	DECAL-CAUTION, 5x4.50" (DSL ONLY)

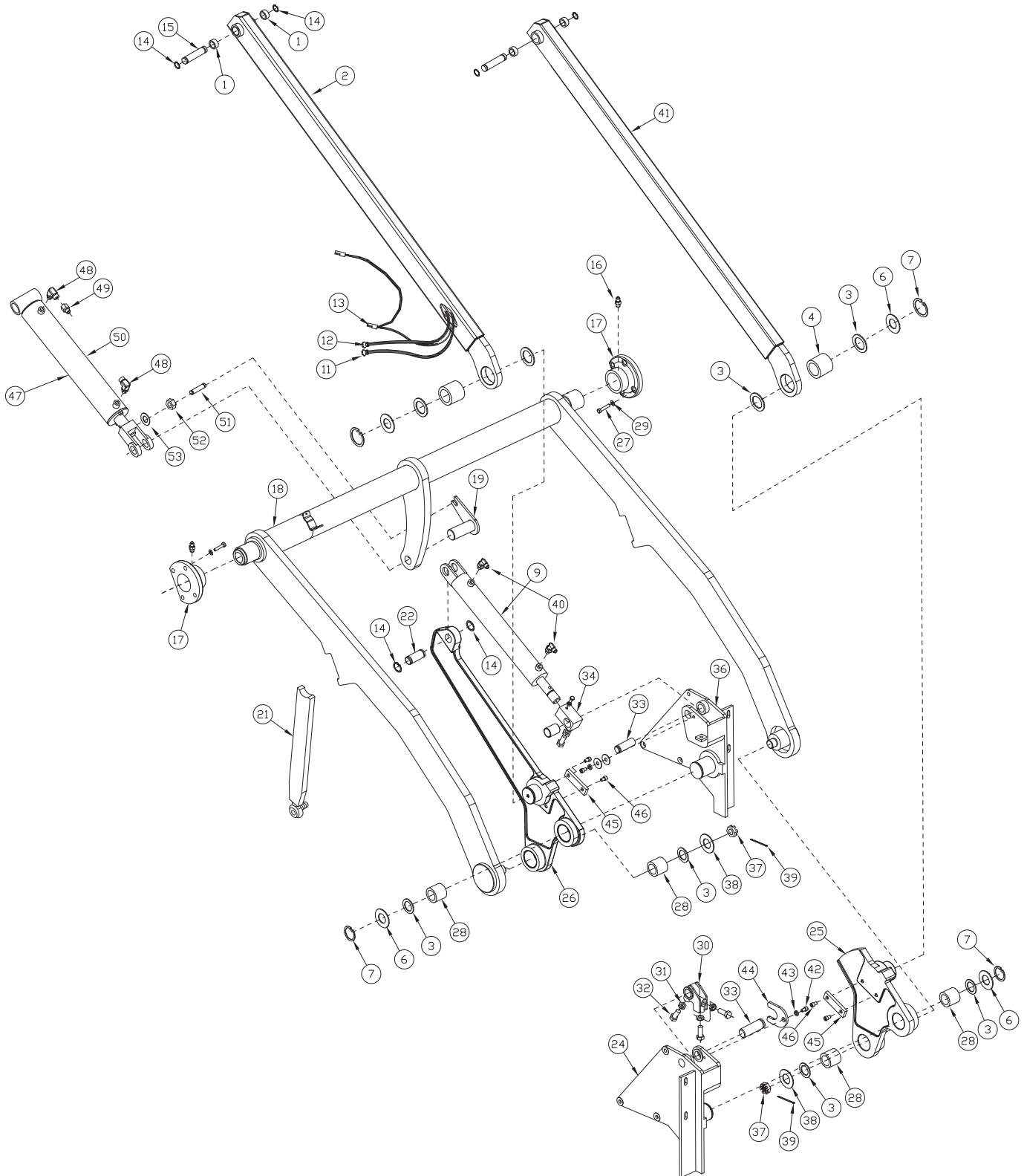
SEAT, FLOOR PAN & TAIL LIGHT





SEAT, FLOOR PAN & TAIL LIGHT			
ITEM	PART NO.	REQ'D	DESCRIPTION
1	283197	1	CHAIN, BEADED SS W/ EYELETS
2	623000	1	SEAT, STANDARD W/SEAT BELT, RH
3	690762	1	WELDMENT, SEAT LATCH ARM, 9X
4	690765	1	WELDMENT, SEAT LATCH, 9X
5	3401061	2	SCR-BHSCS 5/16-18 X .625 SS
6	690780	1	PIN, 1/4" DIA X 1-1/8", LOCK RETAINER
7	690830	1	MNT-SEAT AM9D/9X
8	710355	1	SCR-RHMS 10-32 X .50 ZP
9	711228	6	SCR-HH 5/16-18 X .75 ZP GR 5
10	711350	1	NUT-NYLOC 10-32 ZP
11	711374	4	NUT-NYLOC 5/16-18 ZP
12	711379	2	NUT-FLANGED WIZZ 5/16-18 ZP
13	713002	8	SCR-HH 1/4-20 X .75 ZP 5
14	713042	2	SCR-HH 3/8-16 X 1.00 ZP GR 5
15	760142	1	RING-SPLIT, 0.97 OD, 0.802 ID, 0.110 THK
16	3302482	4	BUMPER-RUBBER, 1.5" DIA, 5/8 THK
17	3322188	6	INSERT-1/4-20 UNC THRDED, GRIP .165-.260
18	3400035	2	SCR-HH 5/16-18 X 1.00 ZP GR 5
19	711506	2	WASHER-FLAT 5/16 X.688 X .065 ZP
20	3400207	4	SCR-HH 5/16-18 X 0.50 ZP GR 5
21	3400383	8	WASHER-CONICAL SPRING 1/4
22	3400384	6	WASHER-CONICAL SPRING 5/16
23	3400385	2	WASHER-CONICAL SPRING 3/8
24	3401098	6	NUT-JAM 5/16-18 ZP NYLOC
25	3333733P	1	PLATE-ACCESS SEAT CLIP, 9X/10X
26	3335027M	1	CLIP, SEAT AM9D , DARK GRAY
27	3335033P	1	HINGE-UNIVERSAL SEAT MNT, AM9D
	3307587	1	FLOOR MAT-SMALL (NOT SHOWN)
	3307588	1	FLOOR MAT-LARGE (NOT SHOWN)
	3337387P	1	FLOOR BOARD - UPPER (NOT SHOWN)
	3337388P	1	FLOOR BOARD - LOWER (NOT SHOWN)

LIFT & ROTATION CYLINDERS, HYDRAULIC HOSES

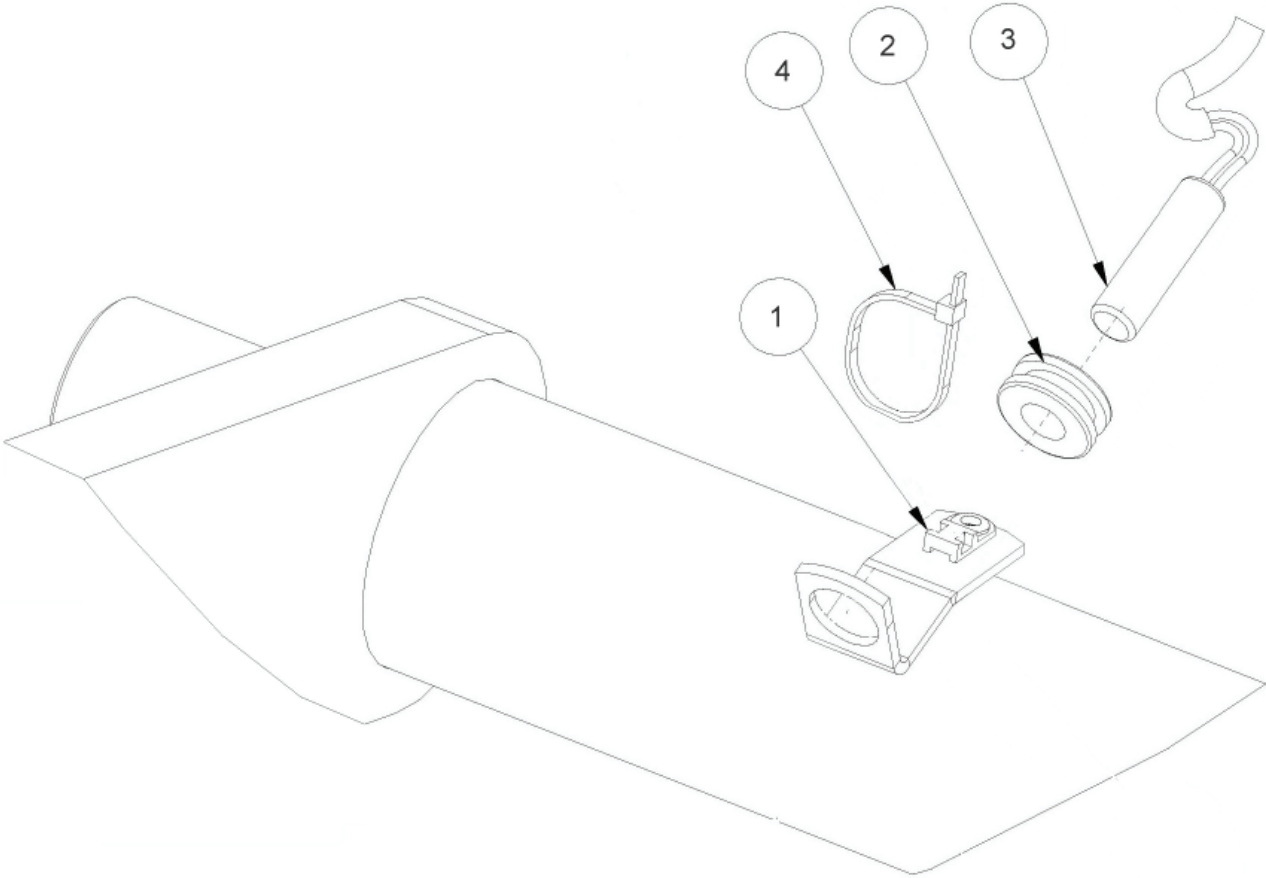


LIFT & ROTATION CYLINDERS, HYDRAULIC HOSES			
ITEM	PART NO.	REQ'D	DESCRIPTION
1	3300837	4	BEARING-1.12 ODx1.00 IDx.75
2	3334551P	1	LIFT ARM-UPPER RH 9X
3	3400177	8	BEARING-THRUST 2.06 IDx3.25 OD
4	3300836	2	BEARING-2.18 ODx2.00 IDx.75
6	3300882	4	WASHER-HD 3.25 ODx2.00 ID
7	3301709	4	RING-RETAINING, EXT 2.00 DIA
9	3316890	1	CYLINDER-HYD, ROTATION HOPPER LIFT
11	675420	1	HYD HOSE - NEED VALVE TO ROT CYL
12	675421	1	HYD HOSE - ROT CYL TO CONT VALVE
13	749141	1	HARNESS - LIFT ARM
14	3301998	6	RING-RETAINING, EXT .940 DIA
15	3307430	2	PIN-UPPER LIFT ARM, .998 DIA,
16	3400012	2	FTG-GREASE 3/16
17	3307605P	2	ASSEMBLY-DUMP ARM MOUNT
18	3307305M	1	LIFT ARM-HOPPER 9X DARK GRAY
19	3335285	1	PIN, LIFT CYL, ROD END
21	3343821	1	ASSY- SAFETY ARM W/ BALL JOINT
22	3307607	1	PIN-ROTATION CYL, .998 DIA,
24	3335361P	1	PIVOT-HOPPER LH
25	3332416	1	ARM-ROTATION (W/PRESSED BEARINGS #28)
26	3307074	1	ARM-HOPPER ROTATION (W/PRESSED BEARINGS #28)
27	712162	8	SCREW, SHCS 7/16-14 X 1-1/2 STEEL ZINC
28	3300840	4	BEARING-2.18 ODx2.00 IDx1.50
29	3401570-11	8	WASHER-NORD-LOCK, 7/16, ZP
30	3336997	1	WELD - HOPPER ROTATE STOP

(CONTINUED ON NEXT PAGE)

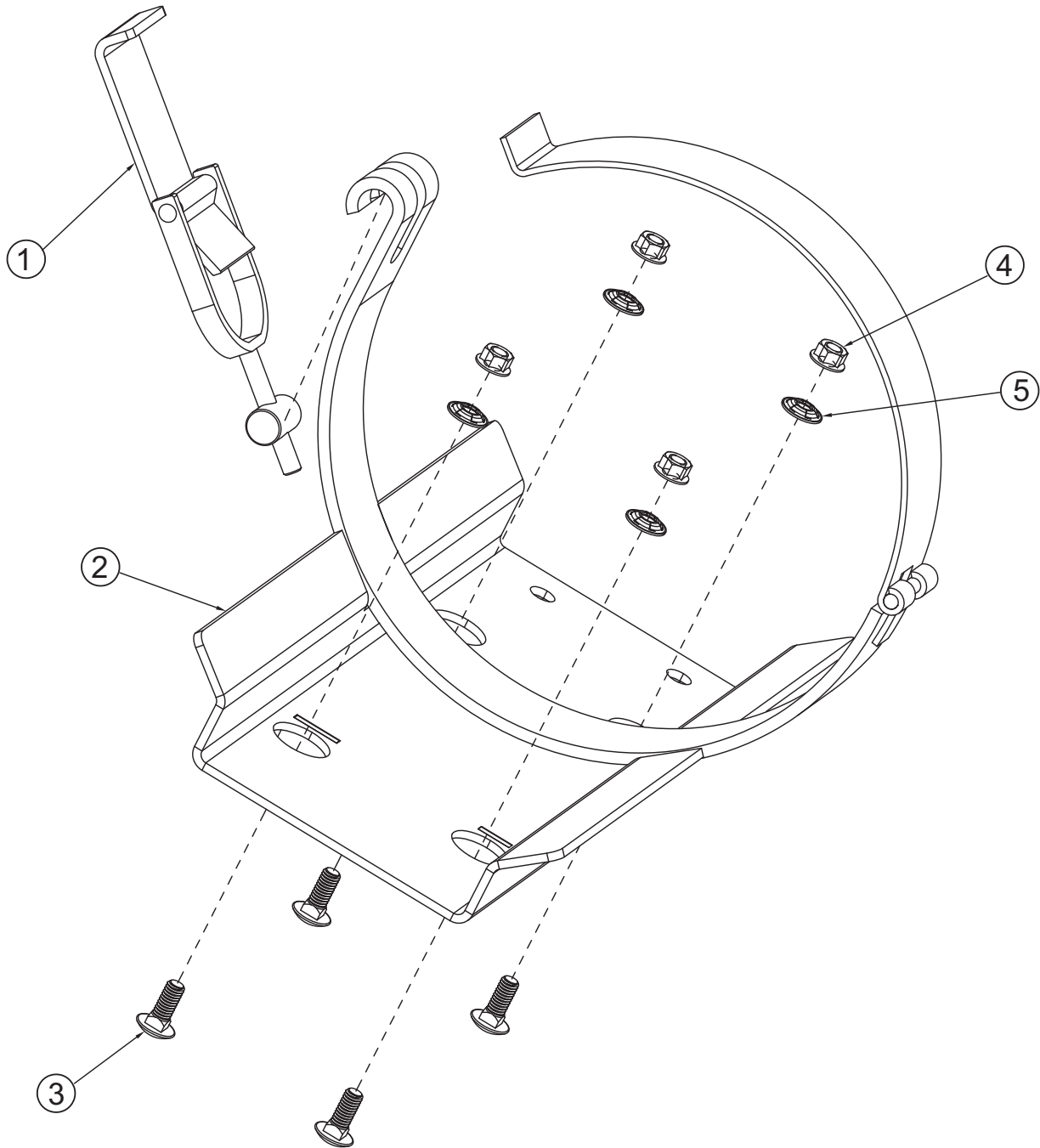
LIFT & ROTATION CYLINDERS, HYDRAULIC HOSES			
ITEM	PART NO.	REQ'D	DESCRIPTION
31	3400449	3	NUT-HEX JAM 1/2-20 ES
32	3400326	3	SCR-HH 1/2-20X1.25 GR 5 ZP
33	3307606	1	PIN-FRONT ROTATION CYL, .998 DIA,
34	3317119	1	ASSY- BLOCK ROTATION RH
36	3317364P	1	PIVOT-HOPPER RH
37	3400076	2	NUT-HEX JAM SLOTTED, 1-14
38	3300879	2	WASHER-HD 3.25 ODx1.00 ID
39	3400122	2	PIN-COTTER 1/8 X 2.00 ZP
40	675507	2	FTG-STR THD ELBOW -4 ORFS TO -4 SAE
41	3334454P	1	LIFT ARM-UPPER LH 9X
42	3400219	2	SCR-SOC,5/16-18X0.50 ZP
43	711545	2	WASHER-LOCK 5/16 SPLIT ZP
44	690935	1	PLATE, HOPPER PIVOT PIN RETENTION
45	3321377	2	TOP-ROTATION CYL MNT ARMA
46	711239	4	SCR-HEX 3/8-16 X 1.00 GR8 ZP
47	3307243	1	ASSY, CYLINDER-HYD HOPPER LIFT
48	675518	2	FTG-STR THD ELBOW -6 ORFS TO -5 SAE
49	675550	4	FITTING ORIFICE .047 #6
50	3339955	1	CLEVIS-LIFT ARM 1.0 DIA. PIN 1.00-14 TD
51	710981	1	SCR-SET 3/8-16 X 1.250 BLK OX CP W/NYLON
52	711391	1	NUT-JAM 3/8-16 ZP
53	712301	1	WASHER-FLAT 3/8 ZP

RTR SWITCH DETAIL LIFT ARM



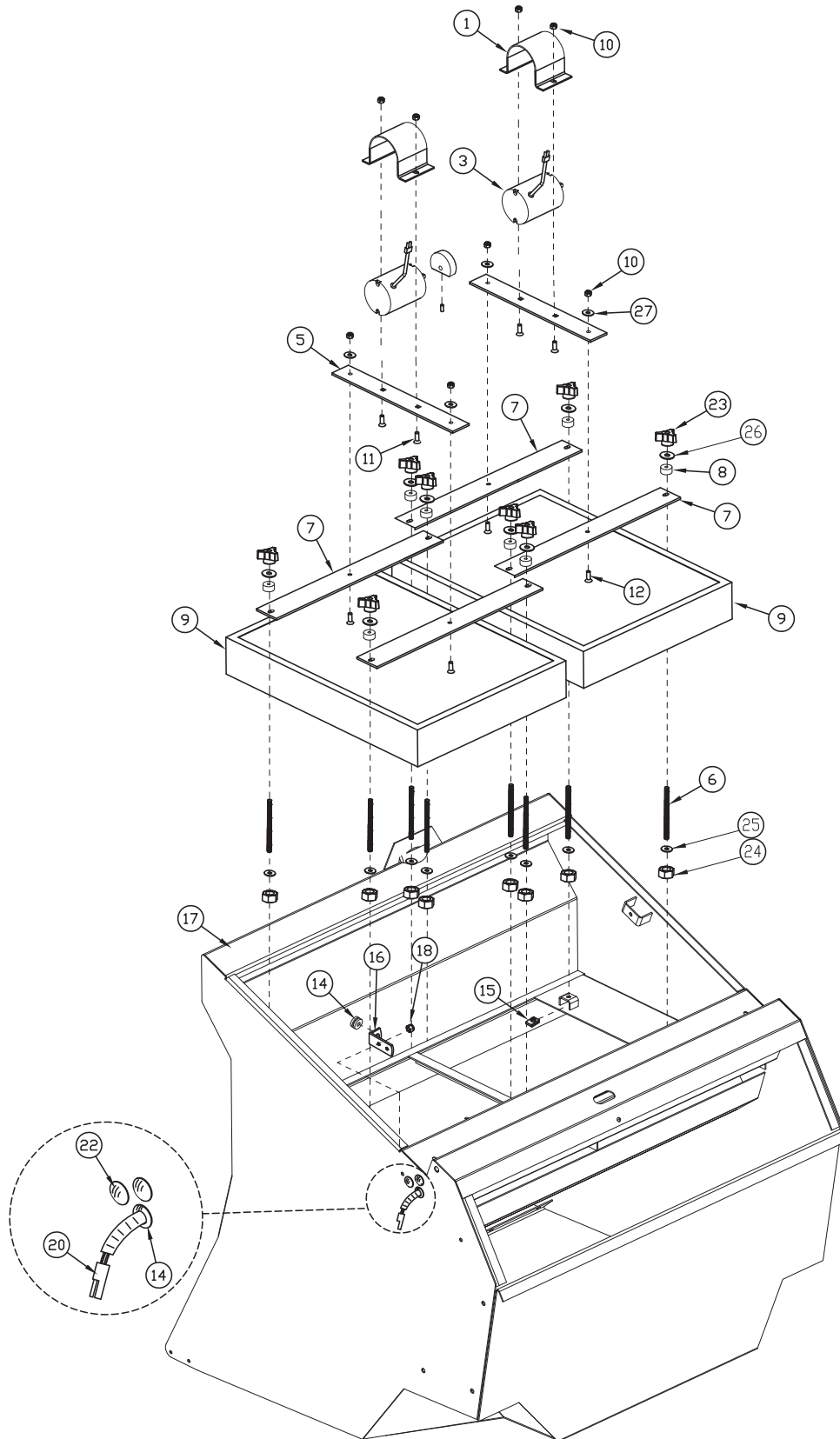
RTR SWITCH DETAIL LIFT ARM - 3336961			
ITEM	PART NO.	REQ'D	DESCRIPTION
1	3302472	1	MOUNT-WIRE TIE LOW PROFILE
2	3311564	1	GROMMET-RUBBER, 1/2 ID
3	749141	1	HARNESS - LIFT ARM, ARMA TIER II
4	828062-B	1	TIE-WIRE BLACK

LPG MOUNT ASSEMBLY



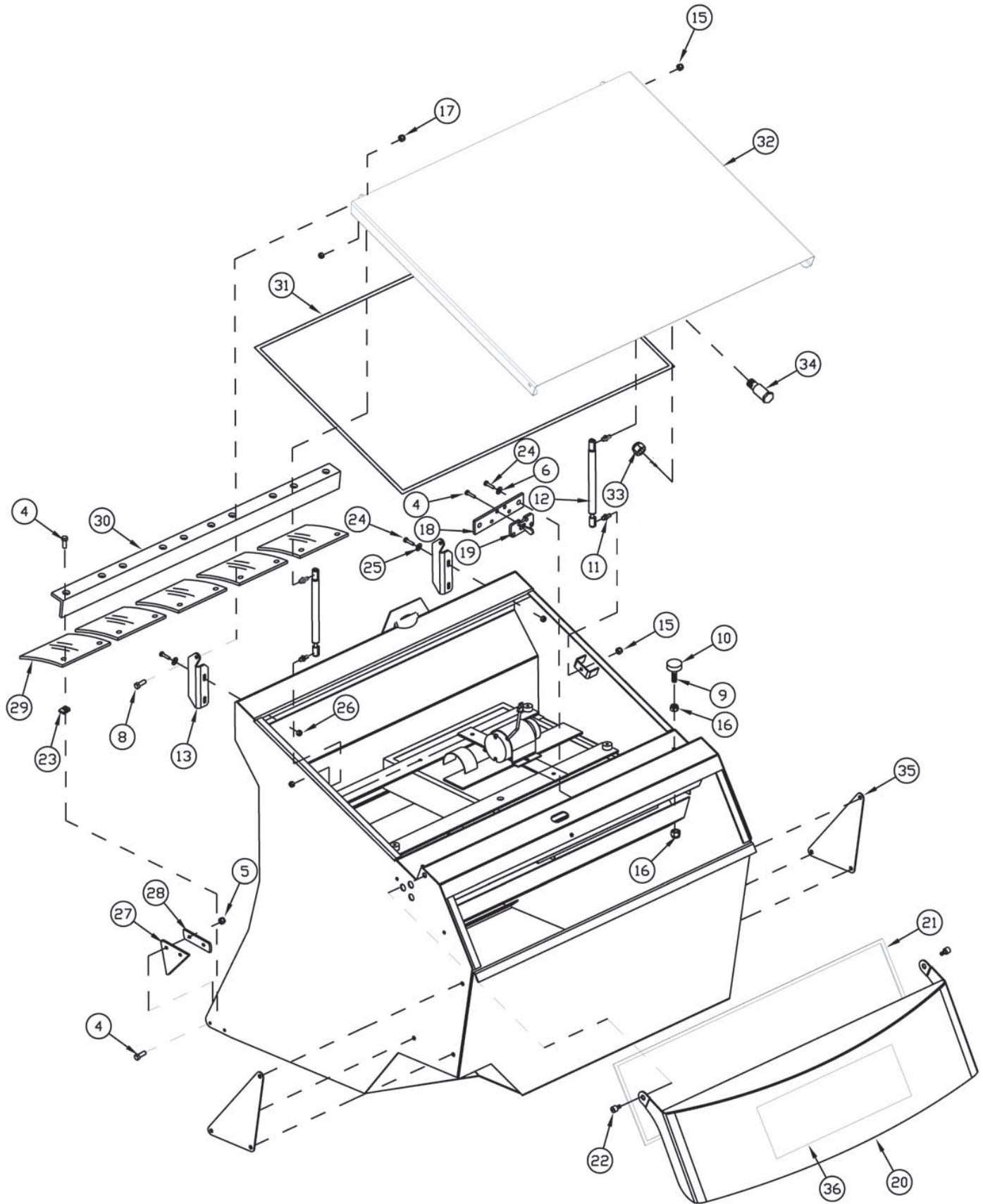
LPG MOUNT ASSEMBLY			
ITEM	PART NO.	REQ'D	DESCRIPTION
1	220131	1	BUCKLE
2	690157	1	ASSY, LPG TANK MOUNT - 9X
3	711253	4	BLT-CARR 3/8-16 X 1.00 ZP GR 5
4	711439	4	NUT-FLANGED WIZZ 3/8-16 ZP
5	3316981	4	NUT-PUSH RETAINER 3/8 BOLT, 25/32 OD ZP
**	3335376	1	HOSE - 5/16 LP 90.0 SAE 45 ST#6 ST#6 (NOT SHOWN)
	3335376-CE		HOSE - 5/16 LP 90.0 SAE 45 ST#6 ST#6,CE (NOT SHOWN)
**	675629	1	HOSE, 3/8 AR 34.5 JIC 45 ST#6 ST#6 (NOT SHOWN)
	675629-CE		HOSE, 3/8 AR 34.5 JIC 45 ST#6 ST#6, CE (NOT SHOWN)

HOPPER - FILTER AND SHAKER MOTOR COMPONENTS



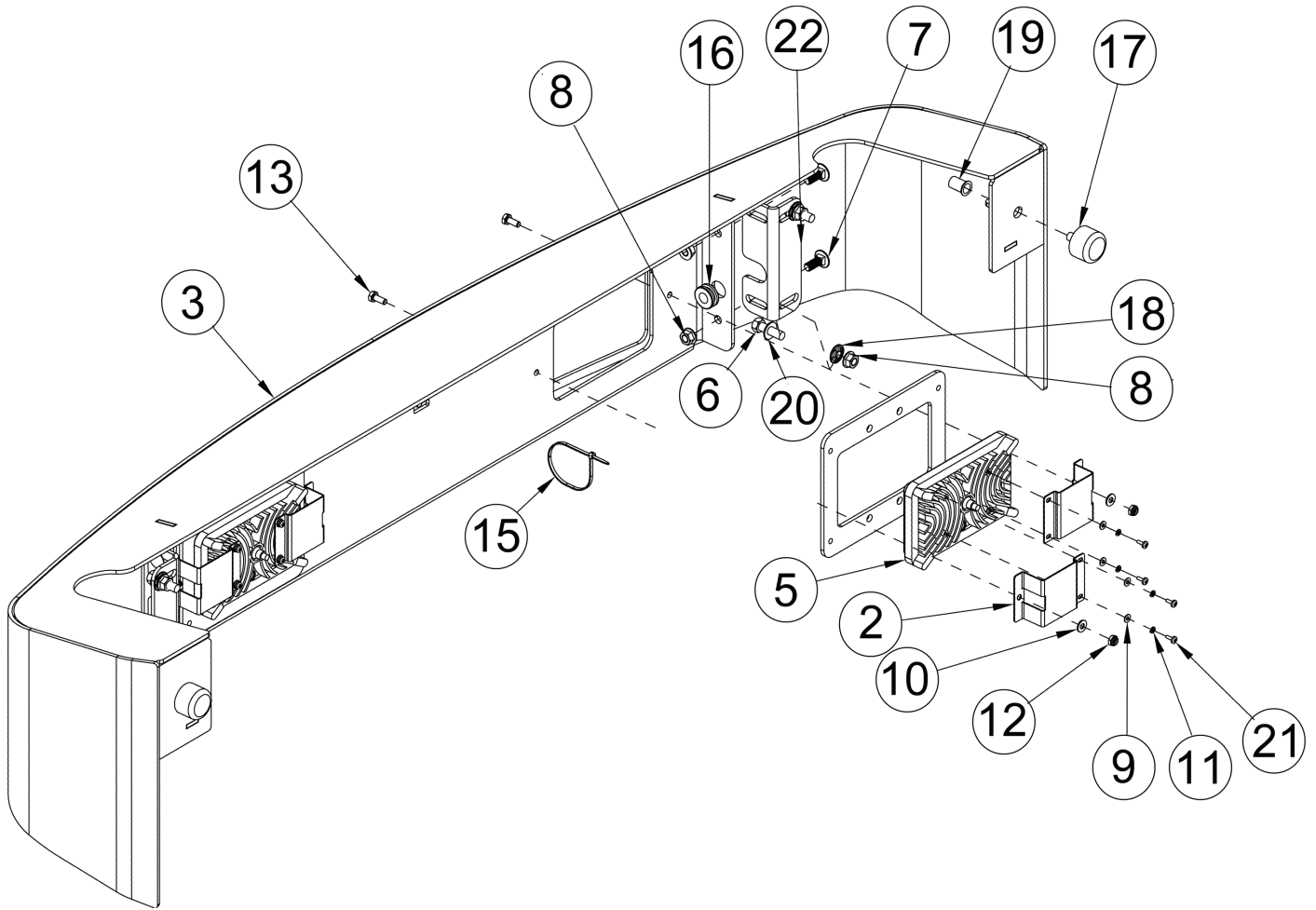
HOPPER - FILTER AND SHAKER MOTOR COMPONENTS			
ITEM	PART NO.	REQ'D	DESCRIPTION
1	750073	2	BRACKET SHAKER MOTOR
3	748149-1	2	ASSY, SHAKER MOTOR W/CONNECTOR
5	3300917	2	BAR-FILTER RETAINER
6	3334676	8	ROD-5/16-18x4.63, FILTER TIE DOWN
7	3300919	4	BAR-FILTER SHAKER
8	3307850	8	ISOLATOR-RUBBER, .25IDx1ODx.50THK, SW/A
9	690677	2	FILTER-9X (18 X 24 X 3.19 NOM) ALUM
10	711374	8	NUT-NYLOC 5/16-18
11	70-516-16	4	BLT-CARR 5/16-18 X 1 ZINC
12	3401070	4	SCR-FHSCS 5/16-18 X 1.0 ZP HEX DRIVE
14	3311564	3	GROMMET-RUBBER, 1/2 ID
15	832829	8	NUT-U TYPE 5/16-18
16	3336778	1	BRACKET- FOR SWITCH BALL (# 2 RTR LIGHT)
17	690483-SOR	1	HOPPER, AM9D, DUAL FILTER, ORANGE
	690483-SBR		HOPPER, AM9D, DUAL FILTER, BURGUNDY
18	3400484	1	RIVET-AVDEL 3/16 X .602
20	3336964P	1	HARNESS - HOPPER, ARMA
22	3330356	2	PLUG-PLASTIC HOLE, 3/4, 7 GA
23	210118	8	KNOB-3 SIDED 5/16 NYLOC
24	3400070	8	NUT-HEX 5/16-18 ZP GR 5
25	711545	8	WASHER-LOCK 5/16 SPLIT ZP
26	3400233	8	WASHER-FENDER 5/16 X 1.00 ZP
27	3400384	4	WASHER-CONICAL SPRING 5/16

HOPPER - COVER AND LATCH COMPONENTS



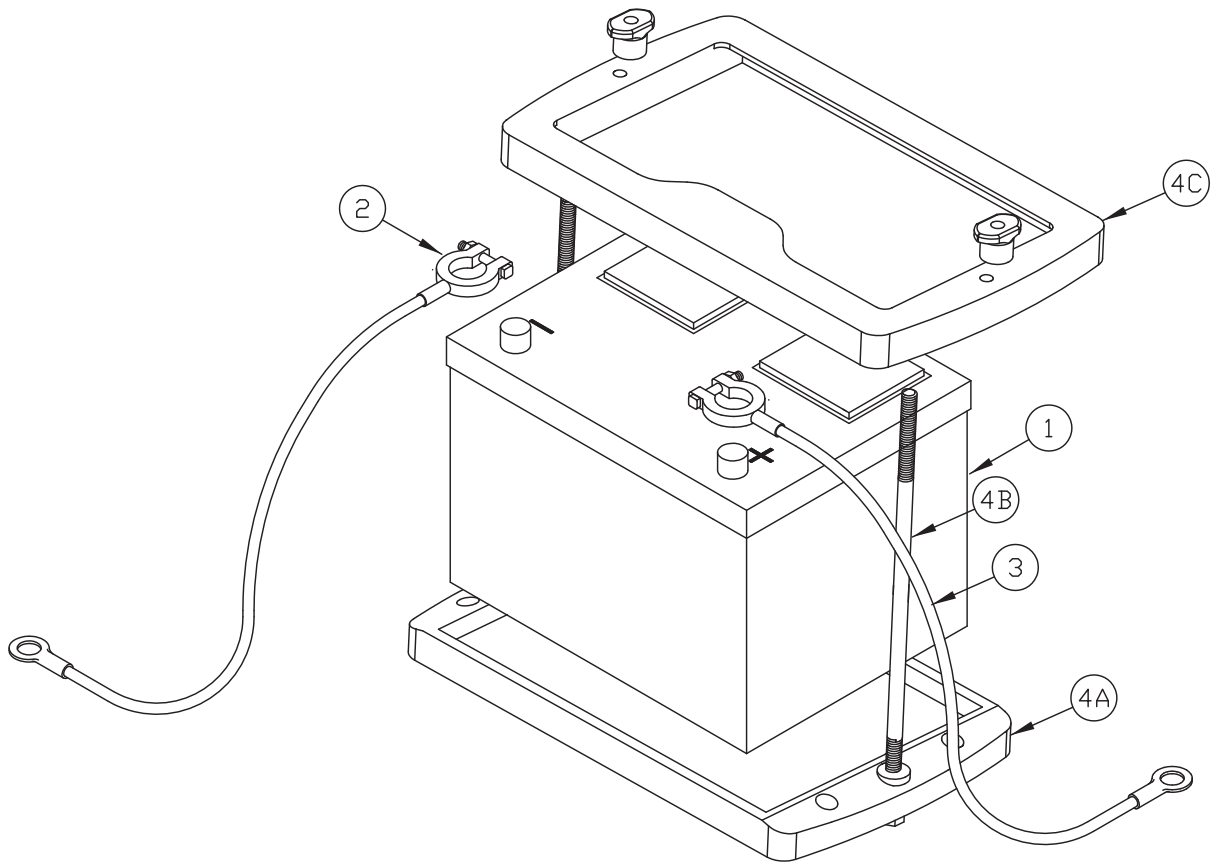
HOPPER - COVER AND LATCH COMPONENTS			
ITEM	PART NO.	REQ'D	DESCRIPTION
4	3401460	20	SCR-THMS 1/4-20 X .75 PHIL 18-8 SS
8	3400052	2	SCR-SHOULDER 5/16 DIA X 1/4 ZP
9	3400355	2	SCR-LEVEL BOLT, 3/8-16x2.50
10	3304624	2	CAP-RUBBER BUMPER, (USED WITH #10 ABOVE)
11	3300376	4	STUD-BALL, GAS SPRING, 5/16-18 THRD, .391 DIA.
12	3305006	2	SPRING-GAS 5" STROKE, 14.5" EXTENDED (100 LBF)
13	3307469	2	HINGE-FILTER COVER, ,
15	3400070	4	NUT-HEX 5/16-18 ZP
16	711439	2	NUT-FLANGED WIZZ 3/8-16
17	711387	2	NUT-HEX ELASTIC JAM 1/4-20 #8 ZP
18	3307468	1	BAR-FILTER LATCH, ,
19	3307247	1	LATCH-RH BROOM DOOR
20	3316862M	1	LID-HOPPER 9X ORANGE
	3316862BRM		LID-HOPPER 9X BURGUNDY
21	3318739	120"	WEATHERSTRIPPING-RUBBER SPONGE
22	3400170	2	SCR-HSS 1/2x.31,
23	3301146	10	CLIPNUT-1/4-20 ZP
24	3401460	4	SCR-THMS 1/4-20 X .75 PHIL 18-8 SS
25	3400384	4	WASHER-CONICAL SPRING 5/16
26	711379	4	NUT-FLANGED WIZZ 5/16-18
27	3307842	2	FLAP-HOPPER SIDE
28	3307843	2	RETAINER-FLAP HOPPER SIDE
29	3307720	5	FLAP-HOPPER FRONT
30	3307721	1	RETAINER-HOPPER FLAP
31	3500198	134"	SEAL-TRIM 90 DEG. MOUNT
32	3307460M	1	HOOD-HOPPER 9X, ORANGE
	3307460BRM		HOOD-HOPPER 9X, BURGUNDY
33	3400394	1	NUT-FLANGE LOCK 7/16-14
34	3338592	1	BOLT-STRIKER .675 (17.1mm) DIA.
35	3307743	2	PLATE HOPPER BACKING
36	651001	1	DECAL-"POWERBOSS" LOGO

FRONT BUMPER ASSEMBLY



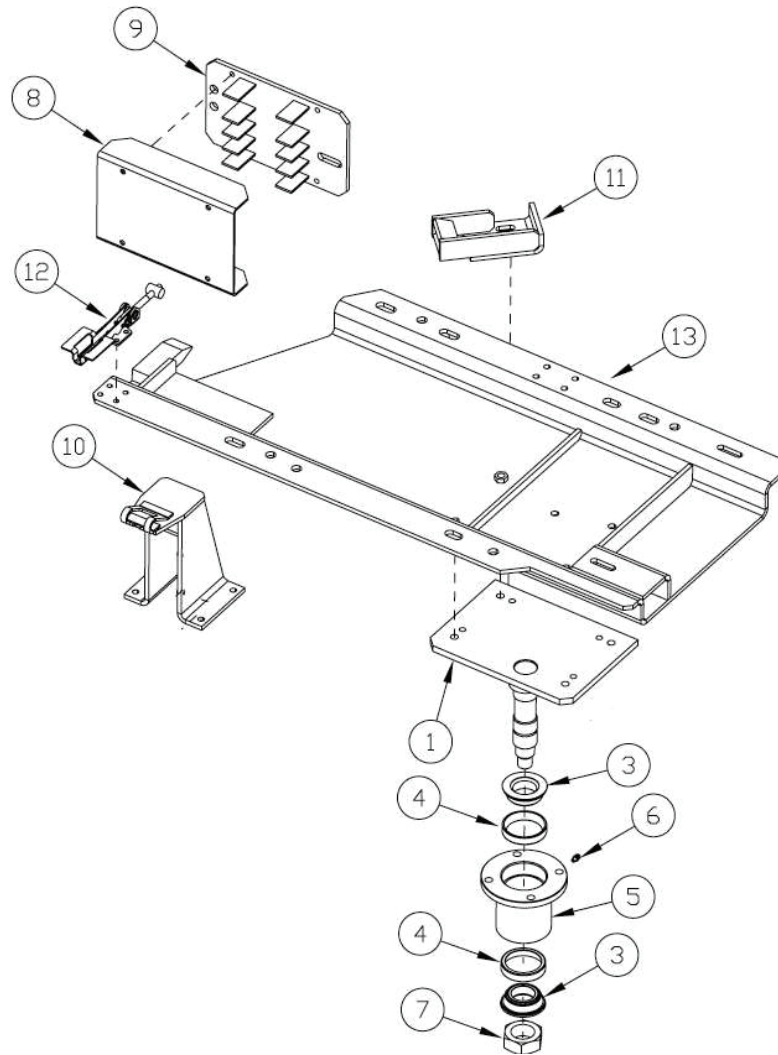
FRONT BUMPER ASSEMBLY			
ITEM	PART NO.	REQ'D	DESCRIPTION
2	620310	4	BRKT, HEADLIGHT RETAINING
3	690493	1	BUMPER, 9X DG (CURVED VERSION)
4	690953	2	GASKET, HEADLIGHT MOUNT - 4 X 6
5	691001-1	2	HEADLIGHT ASSY, 4X6 LED WITH DRL
6	711250	4	SCR-HH 3/8-16 X 1.25 ZP GR 5
7	711253	4	BLT-CARR 3/8-16 X 1.00 ZP GR 5
8	711439	8	NUT-FLANGED WIZZ 3/8-16 ZP
9	711502	8	WASHER-FLAT #8 ZP
10	711504	4	WASHER-FLAT 1/4 SS
11	711542	8	WASHER-LOCK #8 SPLIT ZP
12	711688	4	NUT-JAM 1/4-20 NYLOC SS
13	713001	4	SCR-HH 1/4-20 X .62 GR 5 ZP
14	749142	1	HARNESS ASSY, HEADLIGHTS, 9X/10X
15	828062-B	1	CABLE TIE-LARGE (BLACK)
16	3311564	1	GROMMET-RUBBER, 1/2 ID
17	3316871	2	BUMPER-RUBR 1.50" DIAx1" THK 3/8-16 STUD
18	3316981	4	NUT-PUSH RETAINER 3/8 BOLT, 25/32 OD ZP
19	3322186	2	INSERT-3/8-16 UNC
20	3400385	4	WASHER-CONICAL SPRING 3/8
21	11175395	8	SCR-MC PAN HD M4 X 0.7 X 10 304SSDIN7985
22	3337303P	2	PLT-MOUNT, BUMPER, AM9D

BATTERY COMPONENTS



BATTERY COMPONENTS			
ITEM	PART NO.	REQ'D	DESCRIPTION
1	3300440	1	BATTERY-GAS/DIESEL 12V 650 CCA
2	3307634	1	ASSY-BATTERY CABLE ARMA NEG
3	3307939	1	CABLE-BATTERY POSITIVE KBA DSL
4	690250	1	TRAY- BATTERY, 24 SERIES

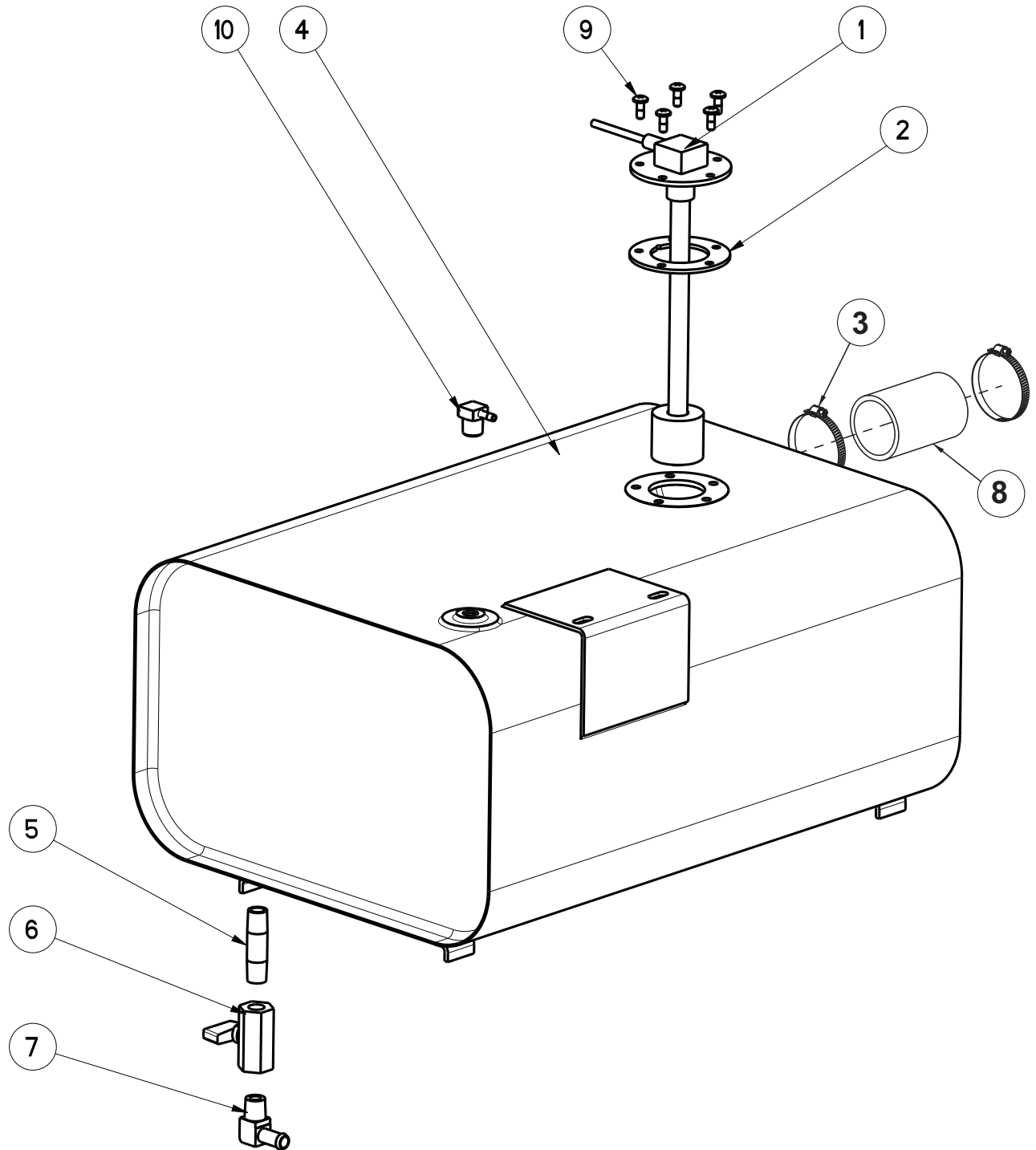
ENGINE PAN, HYDRAULIC HOSE RETAINER & LATCH



ENGINE PAN, HYDRAULIC HOSE RETAINER & LATCH

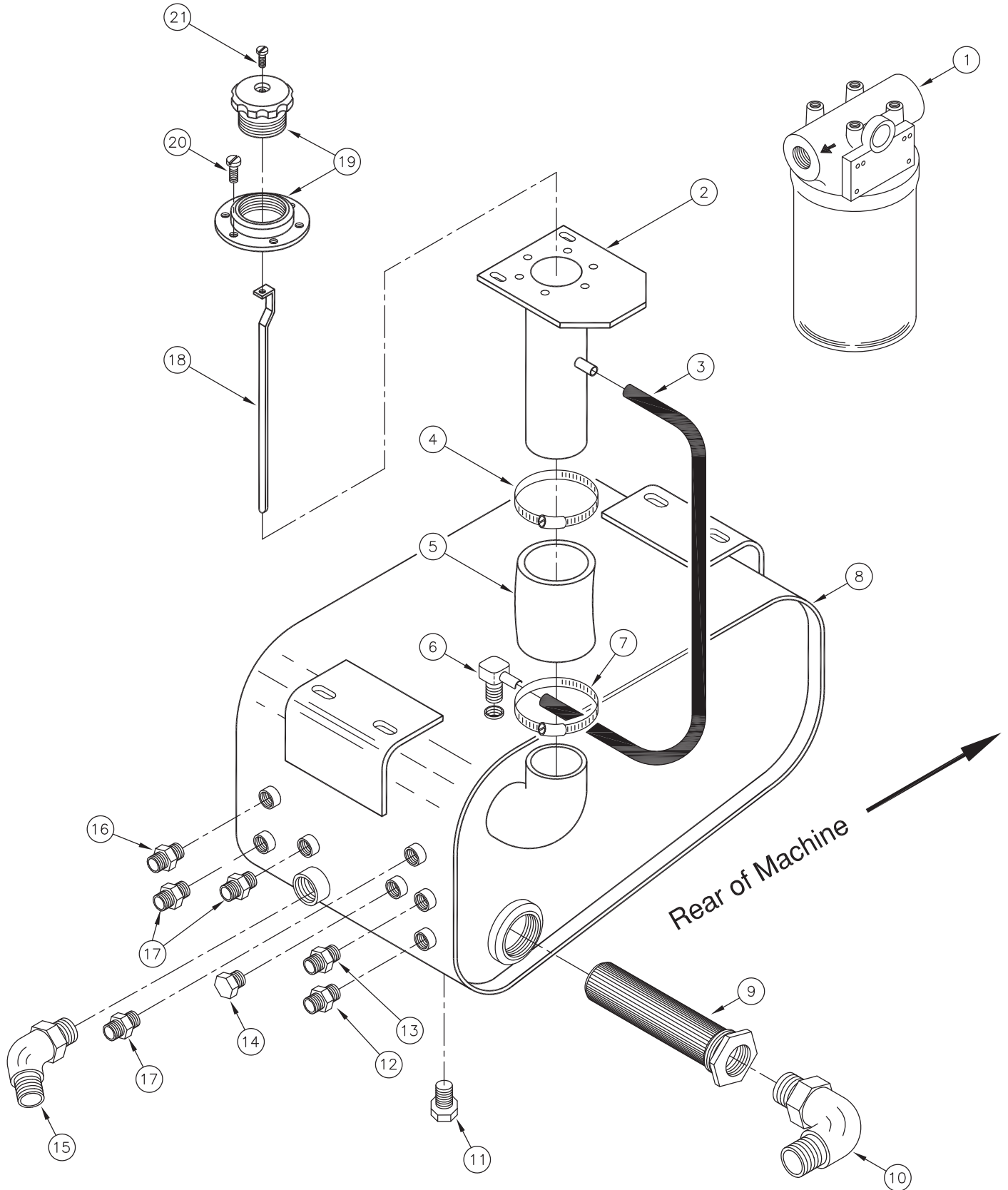
ITEM	PART NO.	REQ'D	DESCRIPTION
1	3334951	1	WELDMENT-ENGINE PIVOT
3	3300471	1	BEARING-TAPERED ROLCONE W/SEAL
4	3300470	1	BEARING-TAPERED ROL CUP
5	3307326	1	BEARING MOUNT-ENGINE PIVOT
6	3400012	1	FTG-GREASE, $\phi 3/16$
7	3400083	1	NUT-HEX JAM, 1 1/4-12 ES
8	690503	1	COVER-HOSE
9	690500	1	HOSE RETAINER
10	3335208	1	WELDMENT-ENGINE CATCH OUTER
11	3335183	1	WELDMENT-ENGINE CATCH INNER
12	3337544	1	LATCH - ENGINE SWING
13	3334994M	1	WELD-ENGINE PAN,

FUEL TANK GASOLINE AND DIESEL



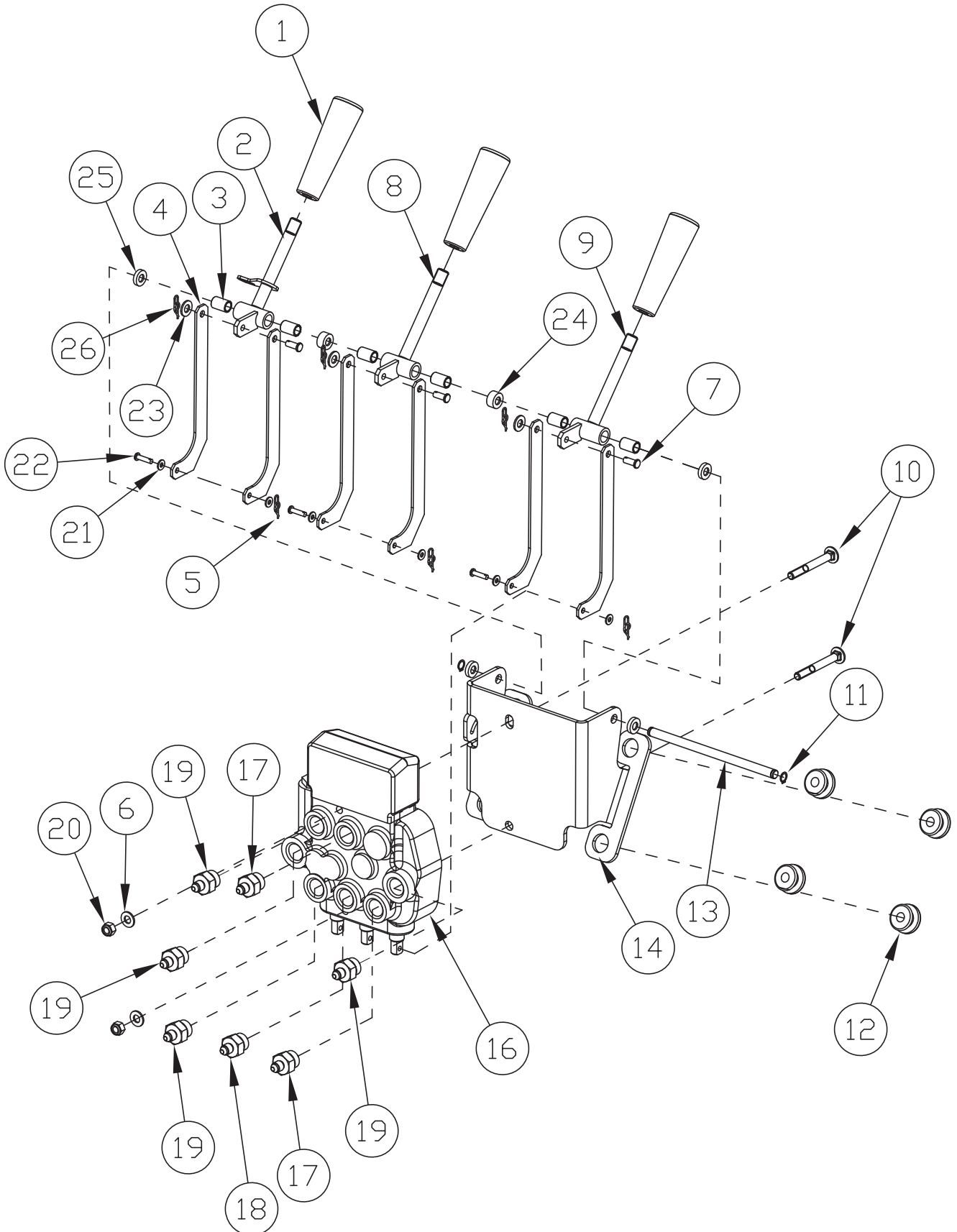
FUEL TANK GASOLINE AND DIESEL			
ITEM	PART NO.	REQ'D	DESCRIPTION
1	690897-1	1	SENDING UNIT, FUEL LEVEL
2	811023	1	GASKET, SENDER
3	3044112	2	CLAMP - SCREW 1.5" to 2.5" DIA 201SS
4DSL	3307575	1	TANK-FUEL, 7.64 US GAL, SW/A
4GAS	3335055		FUEL TANK - GAS ARMA
5	3400498	1	FTG-NIPPLE 1/4 NPT X 2.00 LG BRASS
6	3400499	1	VALVE-MINATURE 1/4 FPT BALL
7DSL	3400793	1	FTG-90 3/8 BARBx1/4 NPT
78GAS	3336095		FTG-FUEL HOSE BARB
8	3500221	1	HOSE-2" ID STRAIGHT RAD.
9	3401636	4	SCR-PHMS 10-32 X .50 SS W/O-RING
10DSL	3402022	1	FTG-ELBOW 90 1/4 MPT X 1/8 HB BRASS
10GAS	3401445		FTG-HOSE BARB 90? 5/16 X 1/4 NPT

HYDRAULIC RESERVOIR ASSEMBLY



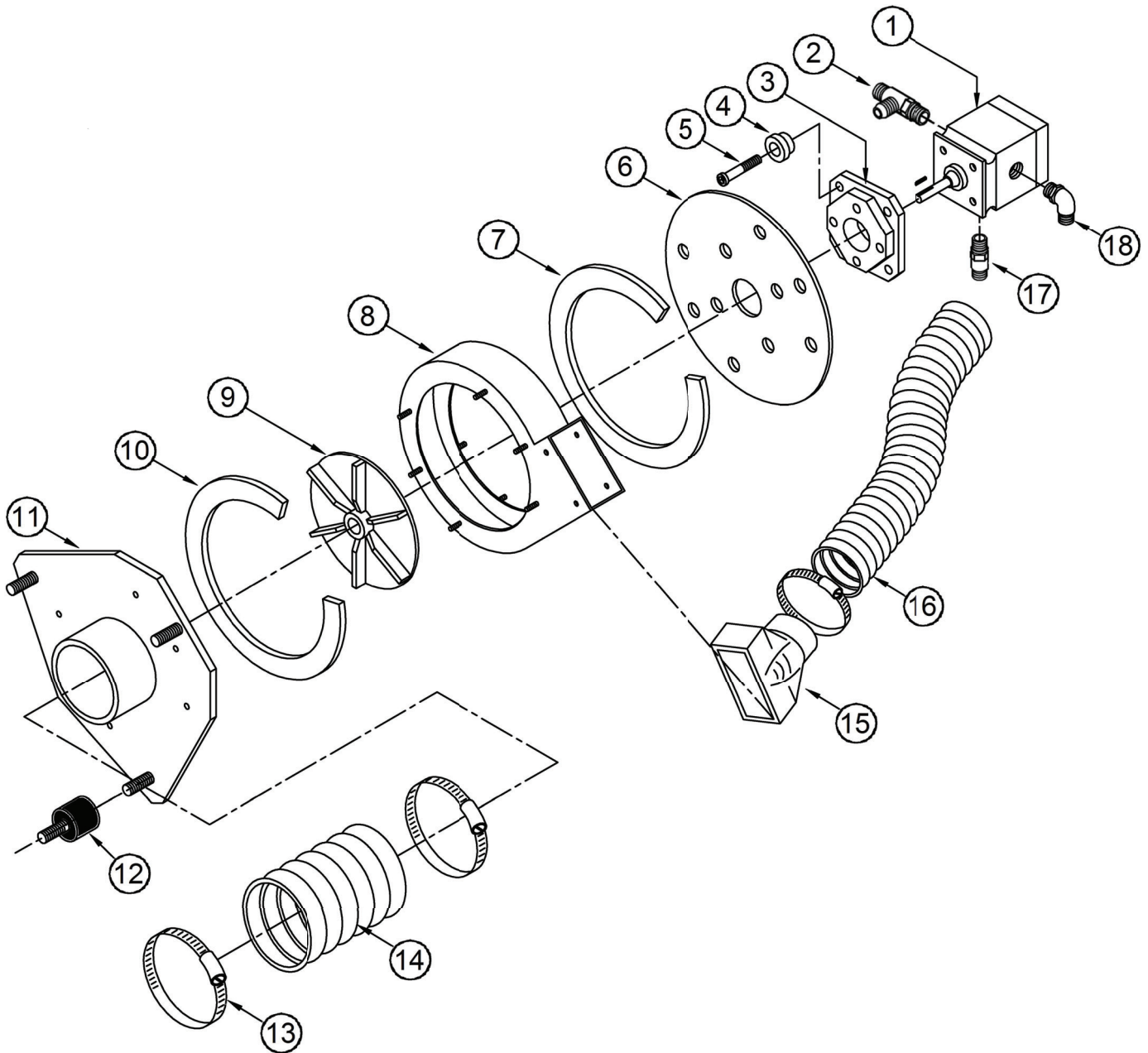
HYDRAULIC RESERVOIR ASSEMBLY			
ITEM	PART NO.	REQ'D	DESCRIPTION
1	3300358	1	SUB-HYD FILTER SW/9X (FILTER, MOUNT & FITTINGS)
-	3300359	1	FILTER-HYDRUALIC OIL (FILTER ONLY)
-	3304899	1	FTG-ADAPTER, 3/4-16 TO 1/2 OD TUBE (NOT SHOWN)
-	3400167	1	FTG-ADAPTER, 1 1/6-12 EXT TO (NOT SHOWN)
-	3400632	1	FTG-ADAPTER, RUN TEE 1-1/16-12 (NOT SHOWN)
-	3400636	1	FTG-ADAPTER, SWIVEL NUT 90° ELBOW (NOT SHOWN)
2	3310072	1	WELDMENT-HYD FILL TUBE
3	3500137	1	HOSE-1/8 ID EEC-PCV
4	3044112	1	CLAMP-HOSE, SS, 2.50 MAX WORM
5	3303577	1	HOSE-RUBBER, 2.00IDx3.50 LG
6	3307778	1	FTG-90° 1/8MPTx1/4 BARB
7	3044112	1	CLAMP-HOSE, SS, 2.50 MAX WORM
8	3335527	1	RESERVOIR-HYDRAULIC, 7.5 US GA
9	3343836	1	STRAINER-HYDRAULIC TM-14
10	675506	1	FTG-STR THD ELBOW -16 ORFS TO -20 SAE
11	3400164	1	FTG-PLUG 3/4-16 O RING
12	675521	1	FTG-ORFS STR THD -6 -8 SAE
13	675524	1	FTG-STR THD CONNECTOR -8 ORFS TO -8 SA
13	3400453	1	FTG-PLUG 9/16-18 O-RING STEEL
15	675504	1	FTG-45 DEG STR ELBOW -12 ORFS TO -16 SA
16	675519	1	FTG-STR THD CONNECTOR -6 ORFS TO -5 SA
17	675510	3	FTG-STR THD CONNECTOR -5 ORFS TO -4 SA
18	3307580	1	DIPSTICK-HYD RESEVOIR
19	3305576	1	ASSEMBLY-HYD OIL FILTER BREATHER
20	3400044	6	SCR-HEX,#10-32X0.75
21	3400045	1	SCR-PAN,#8-32X0.62,SLT

HYDRAULIC CONTROL VALVE DETAIL



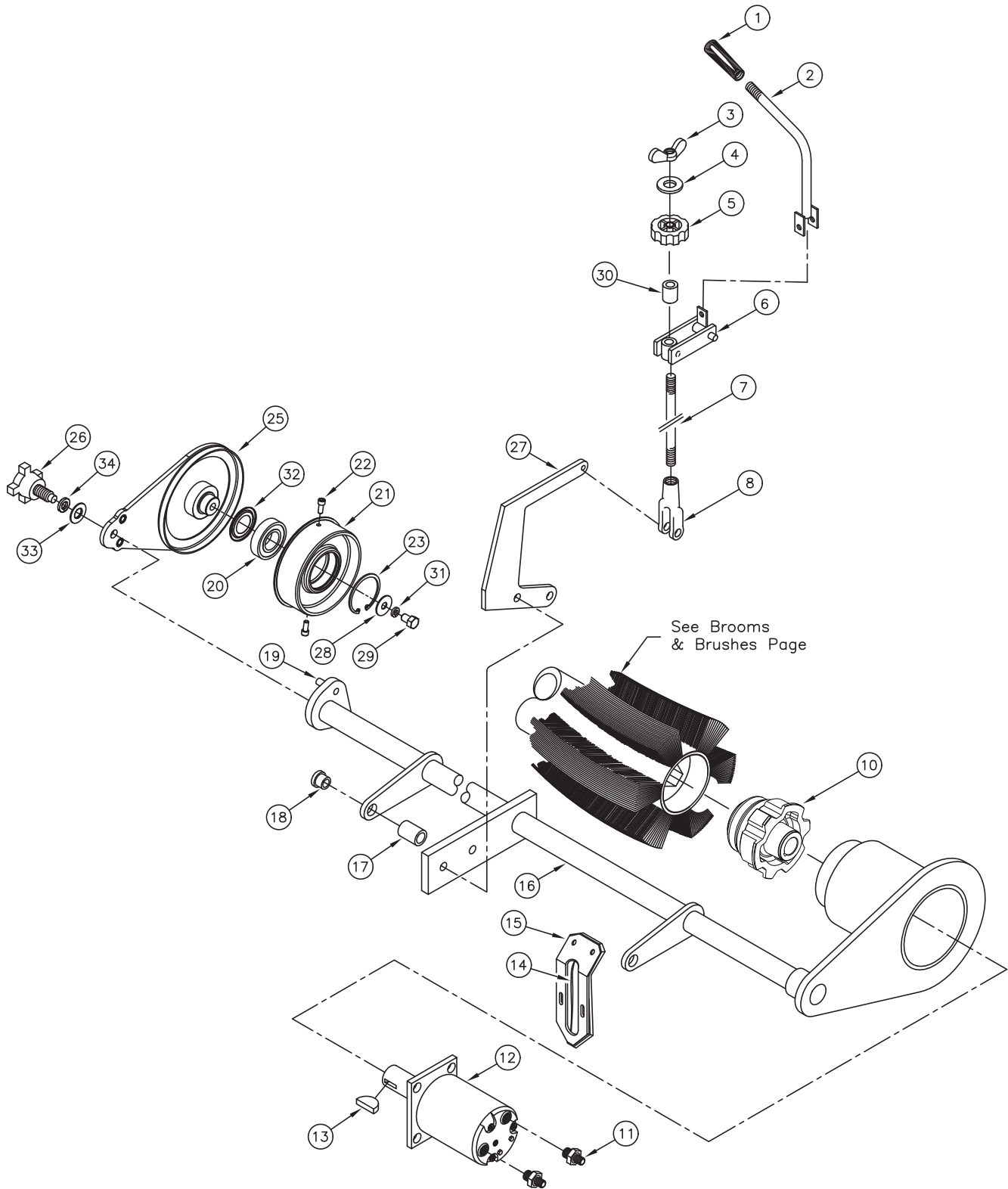
HYDRAULIC CONTROL VALVE DETAIL			
ITEM	PART NO.	REQ'D	DESCRIPTION
1	600263	3	HANDLE GRIP
2	3338603	1	WELD - HANDLE CONT VLV 3
3	3303996	6	BEARING-PLASTIC 1/2X3/8X.75 LG
4	3338456P	6	LINK - HYD VALVE - P
5	3400125	3	RING-RUE 3/8
6	711506	2	WASHER-FLAT 5/16 X.688 X .065 ZP
7	3400425	3	PIN-CLEVIS 1/4 X 5/8 ZP
8	3338458	1	WELD - HANDLE CONT VLV 2
9	3338459	1	WELD - HANDLE CONT VLV 1
10	3400466	1	SCR-HH 5/16-18 X 2.50 ZP GR 5
11	711724	2	RET RING-EXT 3/8
12	3300465	4	ISOLATOR-RUBBER (.375ID X .81OD)
13	3300884	1	ROD-PIVOT CONTROL VALVE PLTD
14	3338455	1	MNT - HYD. SPOOL VALVE
16	3338213	1	VALVE-3 SPOOL SWEEPER(SEE NOTE)
17	675513	2	FTG-ORFS STR THD -4 -8 SAE
18	690006	1	FTG-ORFS STR THD -4 -8 SAE /.043 ORIFICE
19	675524	4	FTG-ORFS STR THD -8 -8 SAE
20	711374	2	NUT-NYLOC 5/16-18 ZP
21	711506	3	WASHER-FLAT 5/16 X.688 X .065 ZP
22	450034	3	PIN-CLEVIS 5/16 X .75 ZP
23	711505	3	WASHER-FLAT 1/4 ZP
24	690015	2	BUSHING, VALVE BODY, 3/8IDX5/8ODX1/4L
25	711569	4	WASHER-FLAT .390 X .880 X .062 NYL
26	3400742	3	RING-RUE 1/4 ZP

IMPELLER ASSEMBLY



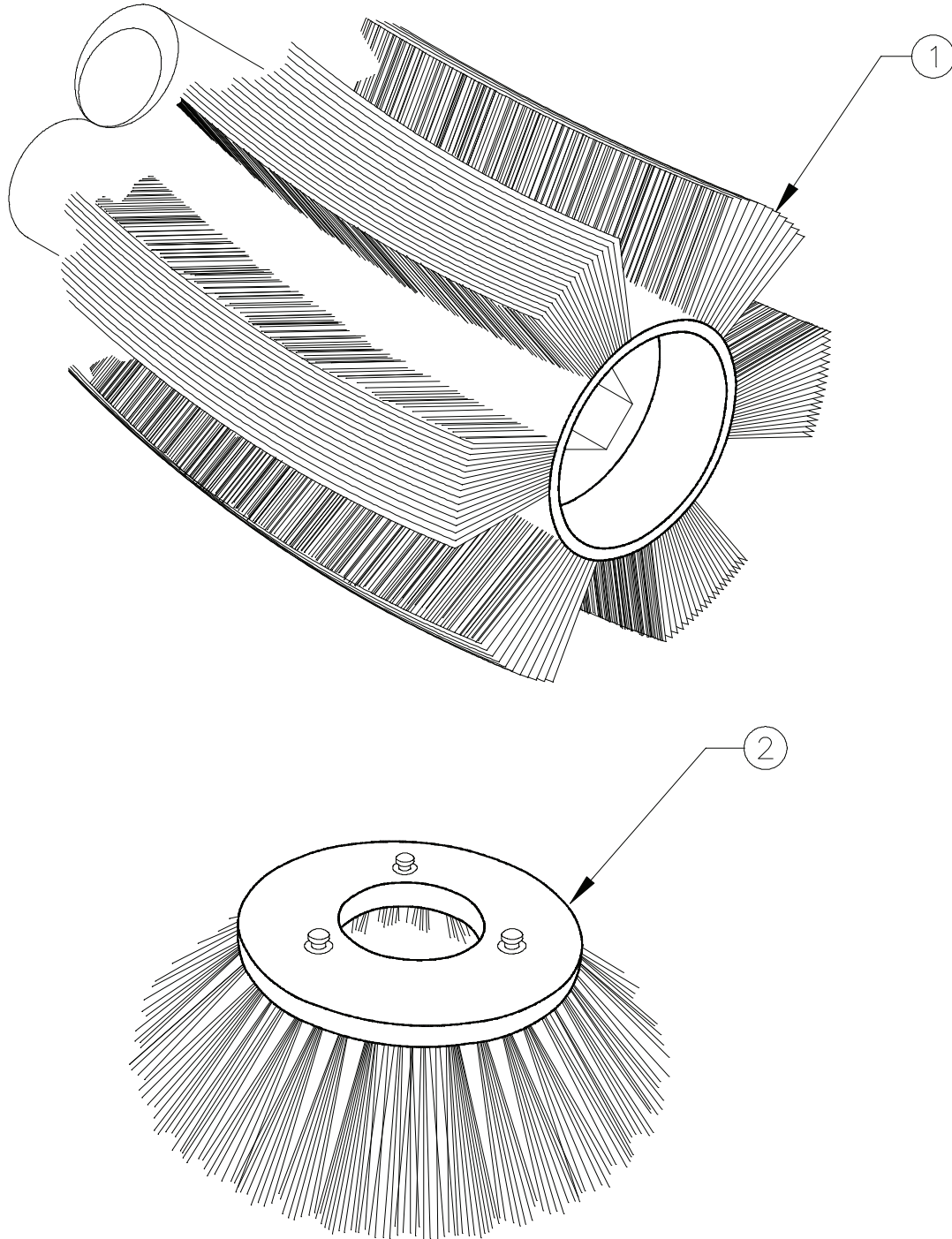
IMPELLER ASSEMBLY			
ITEM	PART NO.	REQ'D	DESCRIPTION
1	3316832MZ	1	MOTOR-HYDRAULIC, .323CI, CCW ROTATION, IMPELLER
	3337905	1	SEAL KIT IMPELLER MOTOR
2	675525	2	FTG-STR THD RUN TEE -8 ORFS TO -8 SAE
3	3307152	1	MOUNT-IMPELLER MOTOR
4	3300465	4	ISOLATOR-RUBBER, .375 IDx.81 OD
5	713044	4	SCR-HEX 3/8-16x1.50"
6	3322121	1	MOUNT-IMPELLER MOTOR, CIRCULAR
7	3335458	2.5'	GASKET-TOP IMPELLAR, ARMA
8	3307004	1	SHROUD-IMPELLER,
9	3307003	1	IMPELLER-8.88" DIA, ARMA BALANCED
10	3335459	2.5'	GASKET-BOTT IMPELLAR, ARMA
11	3335192	1	IMPELLER MOUNT, ARMA
12	3333915	3	ISOLATOR-RUBBER, 1.5x1" LG, 3/8-16 THREAD
13	3300351	3	CLAMP-HOSE, 4.5" DIA, SS
14	3307767	1	HOSE-IMPELLER, 4"x7.5" LONG
15	3315347	1	TRANSITION-PLASTIC IMPELLER EXHAUST
16	3318203	1	HOSE-IMPELLER EXHAUST, 3.5"IDx62" LONG
***	690005	1	BRACKET, IMPELLER EXHAUST, 9X/10X (NOT SHOWN)
17	675508	1	FTG-STR THD CONNECTOR -4 ORFS TO -4 SA
18	675523	1	FTG-STR THD ELBOW -8 ORFS TO -8 SAE

MAIN BROOM ASSEMBLY



MAIN BROOM ASSEMBLY			
ITEM	PART NO.	REQ'D	DESCRIPTION
1	600263	1	HANDLE GRIP
2	3338296	1	WELD-ROD,MAIN BROOM, UPPER, 9X,ZP
3	3400084	1	NUT-WING 1/2-13
4	3400091	1	WASHER-FENDER 1/2
5	3300352	1	KNOB-MAIN BROOOM LIFT ADJUST
6	3335112P	1	WELDMENT-MAIN BROOM PIVOT LIFT
7	3334984	1	ROD-LIFT MAIN BROOM
8	3301447	1	CLEVIS-CABLECRAFT AC-218
10	731304	1	NEW HUB-MAIN BROOM DRIVE <i>(MUST ORDER K-731304-1 TO CONVERT)</i>
11	675523	1	FTG-STR THD ELBOW -8 ORFS TO -8 SAE
12	3338661	1	MOTOR-HYD MAIN BROOM
13	3330338	1	KEY-SHAFT D-FOSS CB/MB/SC MOTORS
14	3307337	3'	GASKET-MAIN BROOM ARM
15	3307338	3'	RETAINER-GASKET MAIN BROOM ARM
16	3307207M	1	MAIN BROOM MNT AM9D-M
17	3307181	1	SPACER-MAIN BROOM
18	3300432	2	BUSHING-FL-52-4
19	690111	2	PIN-DOWEL, .375x1.25, SS
20	3305667	1	BEARING-MAIN BROOM
21	3305642P	1	HUB-BROOM IDLER
22	3400047	2	SCR-SOCKET, 5/16-18x0.75
23	3305666	1	RING-RETAINING MAIN BROOM
25	3335220	1	MAIN BROOM PLT
26	3400748	1	KNOB-HAND 1/2-13x1-1/2 DOG POINT
27	3335196	1	PLATE-LIFT ARM, MAIN BROOM, ARMA
28	712305	1	WASHER, FENDER 5/8 X 2 X .125 ZINC
29	712029	1	SCR-HH 5/8-11 X 1.00 ZP GR 5
30	3333672	1	SPACER-MB LIFT ROD
31	712315	1	WASHER SR-HELICAL .64 X 1.26 X .06 ZINC
32	3335908	1	RING-NILOS, 2.55"OD
33	3400086	1	WASHER-FLAT 1/2 STANDARD ZP
34	3400098	1	WASHER-LOCK 1/2 SPLIT ZP

SIDE BROOM & MAIN BROOM



SIDE BROOM & MAIN BROOM			
ITEM	PART NO.	REQ'D	DESCRIPTION
	MAIN BROOM		
1	3305818-PH	1	BROOM-48"HIGH DEN FIBER & WIRE
	3305812-PH	1	BROOM-48" NYLON
	3305665-PH	1	BROOM-48" HIGH DENSITY NYLON
	3305814-PH	1	BROOM-48" NYLON CHEVRON (PATROL)
	3315315-PH	1	BROOM-48"STIFF NYLON
	3305663-PH *	1	BROOM-48" PROEX & WIRE (STANDARD)
	3333483-PH	1	BROOM-48" TRIPLE ROW POLY (CHEVRON PATTERN)
	SIDE BROOM		
2	3300309	1	BROOM-SIDE 26" WHITE NYLON
	3339964	1	BROOM-SIDE 26" BLACK POLY
	3300311	1	BROOM-SIDE 26" WIRE

Main Broom User's Guide

Proex & Wire - Slightly encrusted soilage & dusty conditions. High heat.

Nylon - General purpose broom with long life bristles.

Poly Proex - All purpose broom that stands up well on rough surfaces.

High Density Nylon - Highly effective for small particle soilage. Severe dust environments.

Crinkle Wire - Stiff bristles for compacted grime, oil, grease or mud. Fair to good broom life.

Natural Fiber & Wire - Good all around broom. Good for high heat applications.

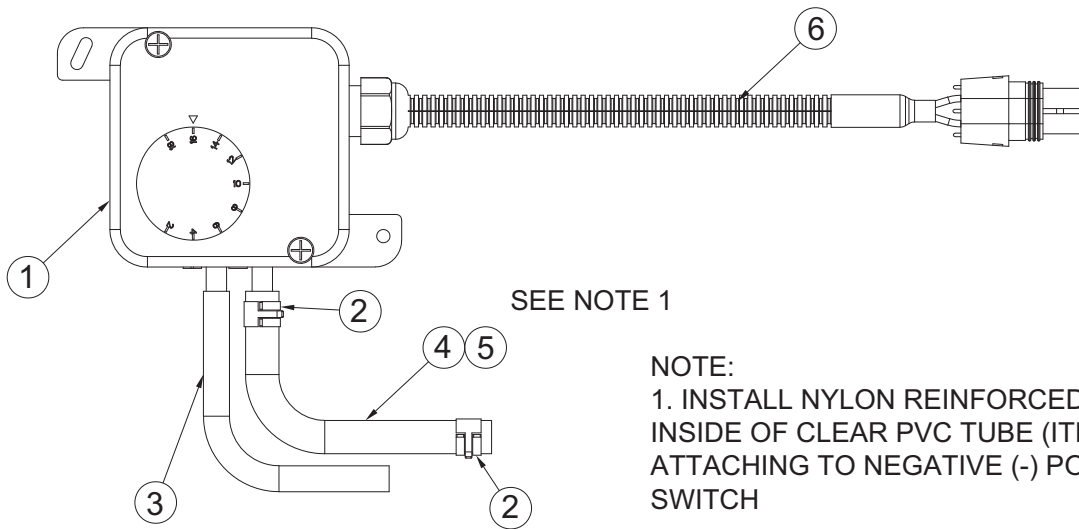
Side Broom User's Guide

Poly - Stiff bristles for aggressive sweeping of mainly heavy litter. Not suited for high heat.

Nylon - Provides longest life. Recommended for tough sweeping jobs.

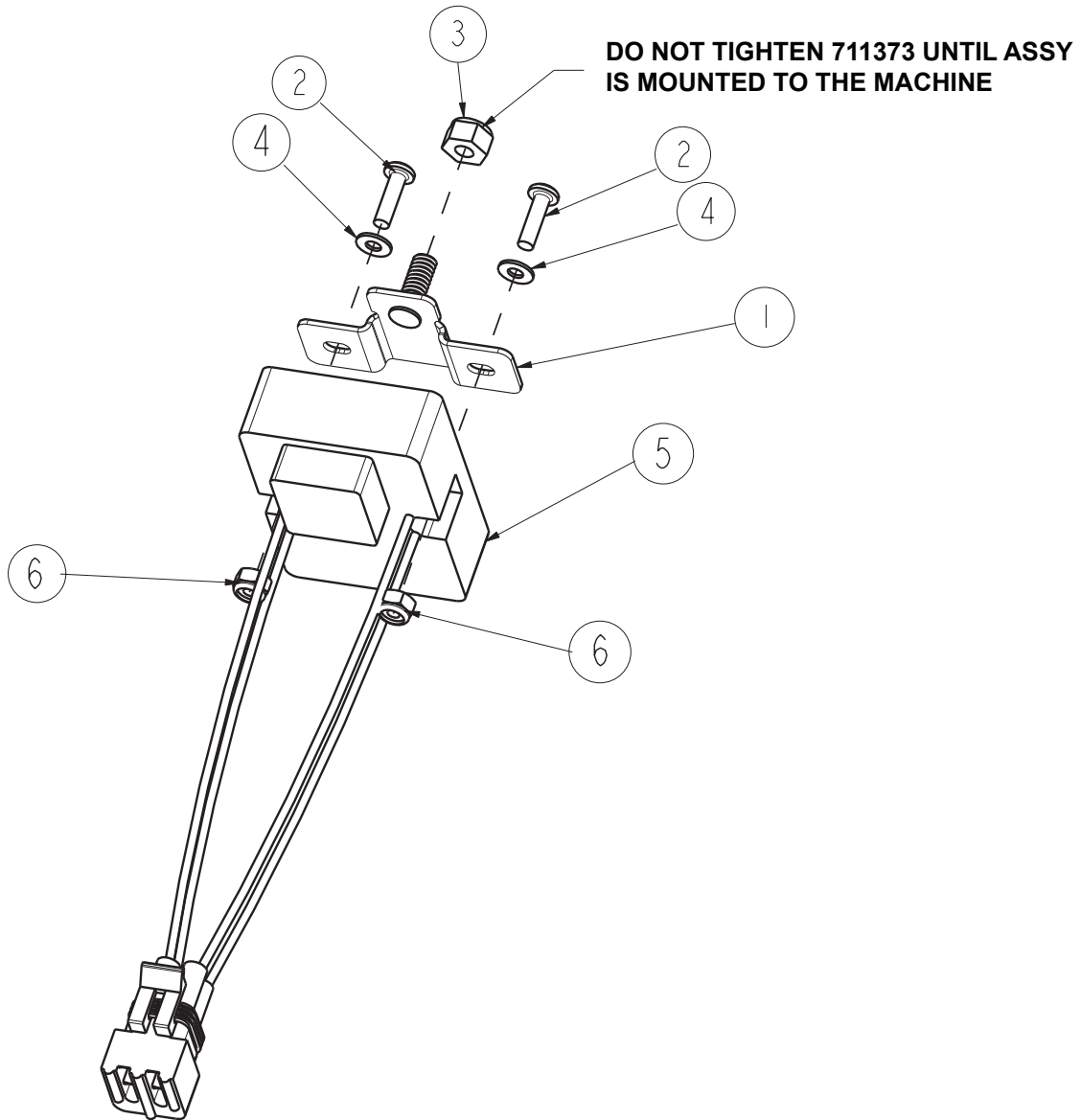
Wire (flat) - For areas of heavy grease build up or scarifying action. Used in high heat applications.

VACUUM SWITCH



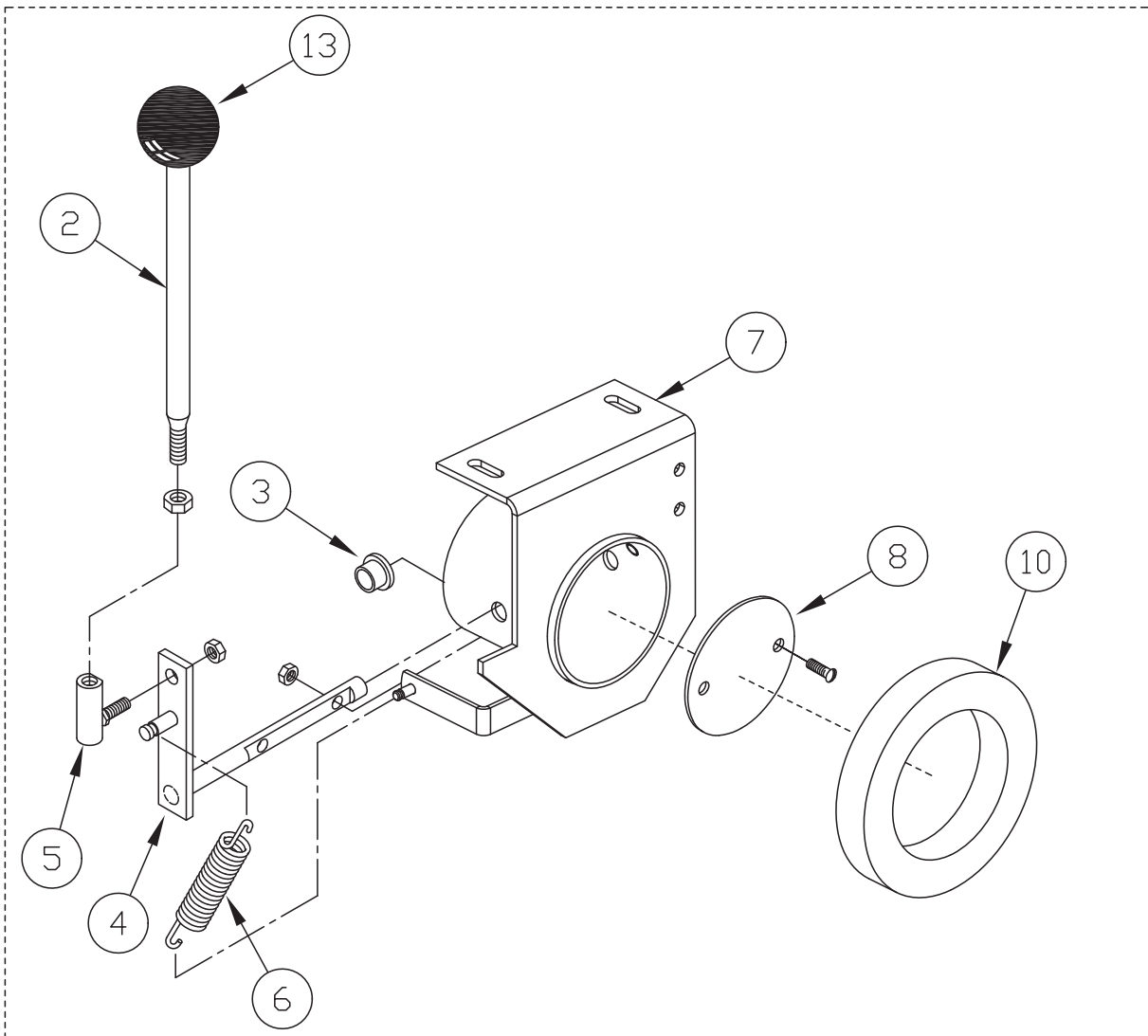
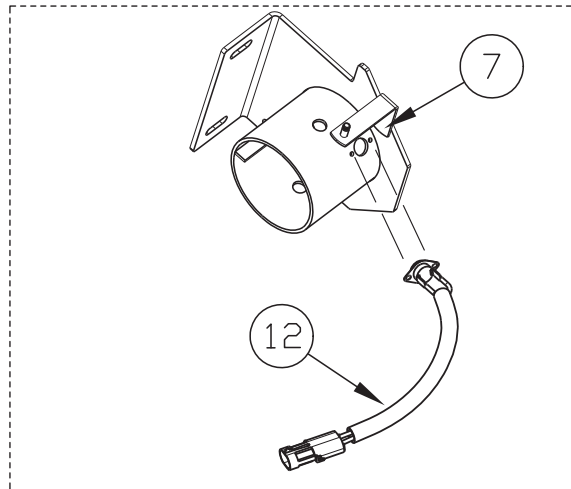
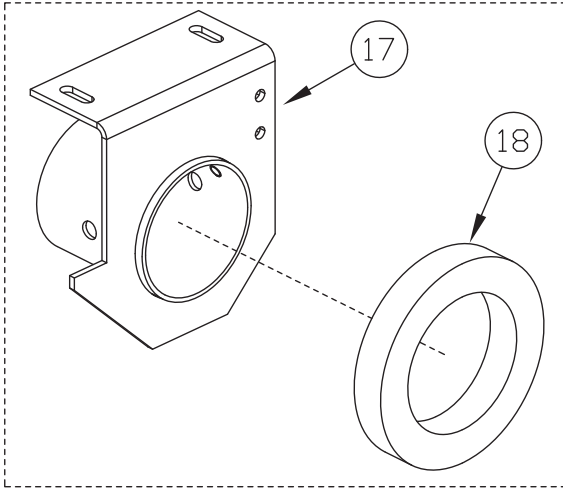
VACUUM SWITCH			
ITEM	PART NO.	REQ'D	DESCRIPTION
1	690083	1	SWITCH, DIFFERENTIAL PRESSURE, 2" TO 18
2	690225	2	CLAMP - UNICLAMP .460 DIA STEEL
3	690958	1	HOSE-NYLO REINF 1/8 X 4"
4	690439	1	HOSE-PVC CLEAR 14", 5/16" ID, 7/16"OD
5	690959	1	HOSE-NYLO REINF 1/8 X 1"
6	748713	1	WIRE HARNESS - CLOG FILTER
7	3400315	2	SCR-HEX,#10-32X0.50 (Not Shown)
8	711350	2	NUT-HEX JAM #10-32 ES (Not Shown)

TIMER-FILTER SHAKER SEALED



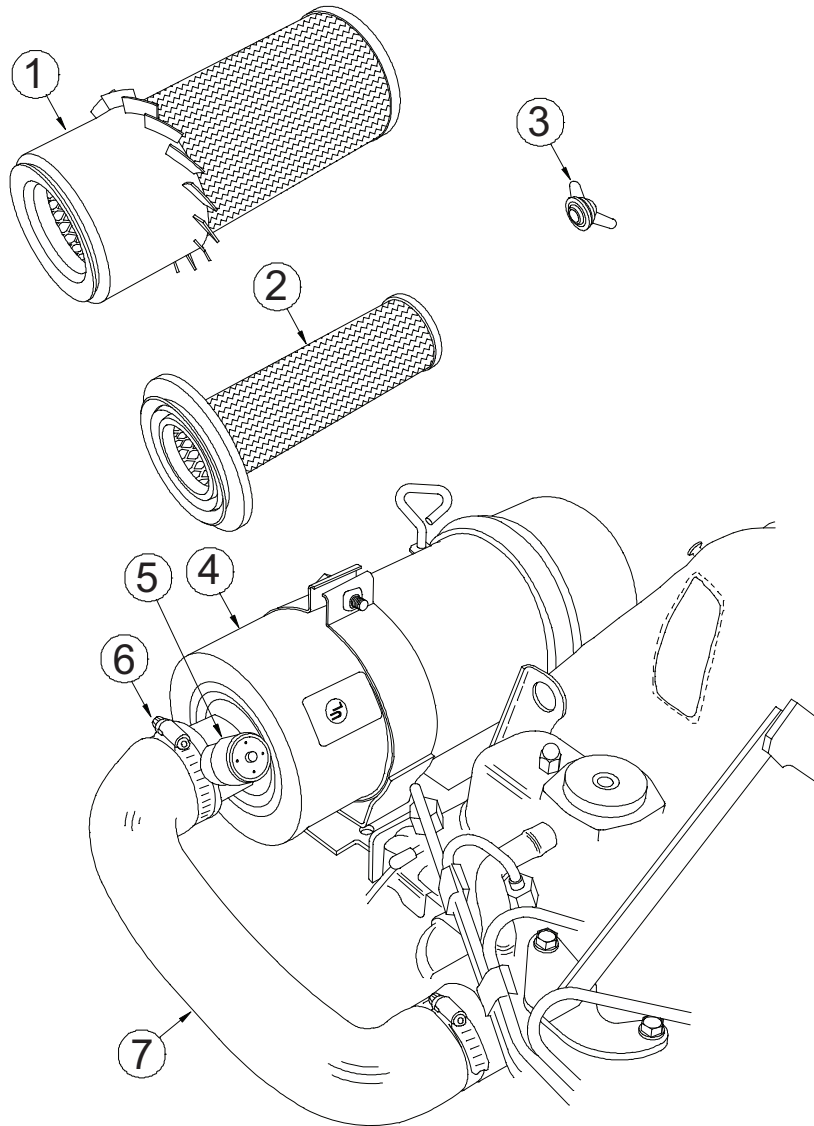
TIMER-FILTER SHAKER SEALED			
ITEM	PART NO.	REQ'D	DESCRIPTION
1	690138	1	BRACKET, TIMER
2	710230	2	SCR-MC 8-32 X .62 ST PL
3	711373	1	NUT - NYLOC 1/4-20
4	711502	2	WSR - FLT, .170 X .38 X .32 STL ZINC
5	748502-1	1	ASSY, RELAY - TIMER, W/CONNECTOR
6	711372	2	NUT - HEX #8-32 ES ZP

GASKET MOUNT ASSEMBLY



GASKET MOUNT ASSEMBLY			
ITEM	PART NO.	REQ'D	DESCRIPTION
	3307018	1	GASKET MOUNT SUB 9XV (Includes Items 1-13)
2	3307173	1	ROD-IMPELLER BAFFLE
3	3300414	2	BUSHING-PLASTIC, 3/8 ID X 1/2 OD
4	3307155	1	WELDMENT ROD GASKET MOUNT BAFFLE
5	3301199	1	BALL JOINT-1/4-28
6	3304160	1	SPRING-EXTENSION, 2.00 LG
7	3307182	1	WELDMENT-GASKET MOUNT,
8	3301498	1	DAMPER-HOPPER SHUTOFF,
10	3307005	1	GASKET-IMPELLER
12	748504-1	1	THERMOSTAT ASSEMBLY
13	3300563	1	KNOB-PLASTIC BALL 1" DIA, BLACK
17	3307182	1	WELD-GASKET MNT SW/A/62E
18	3307005	1	GASKET-IMPELLER

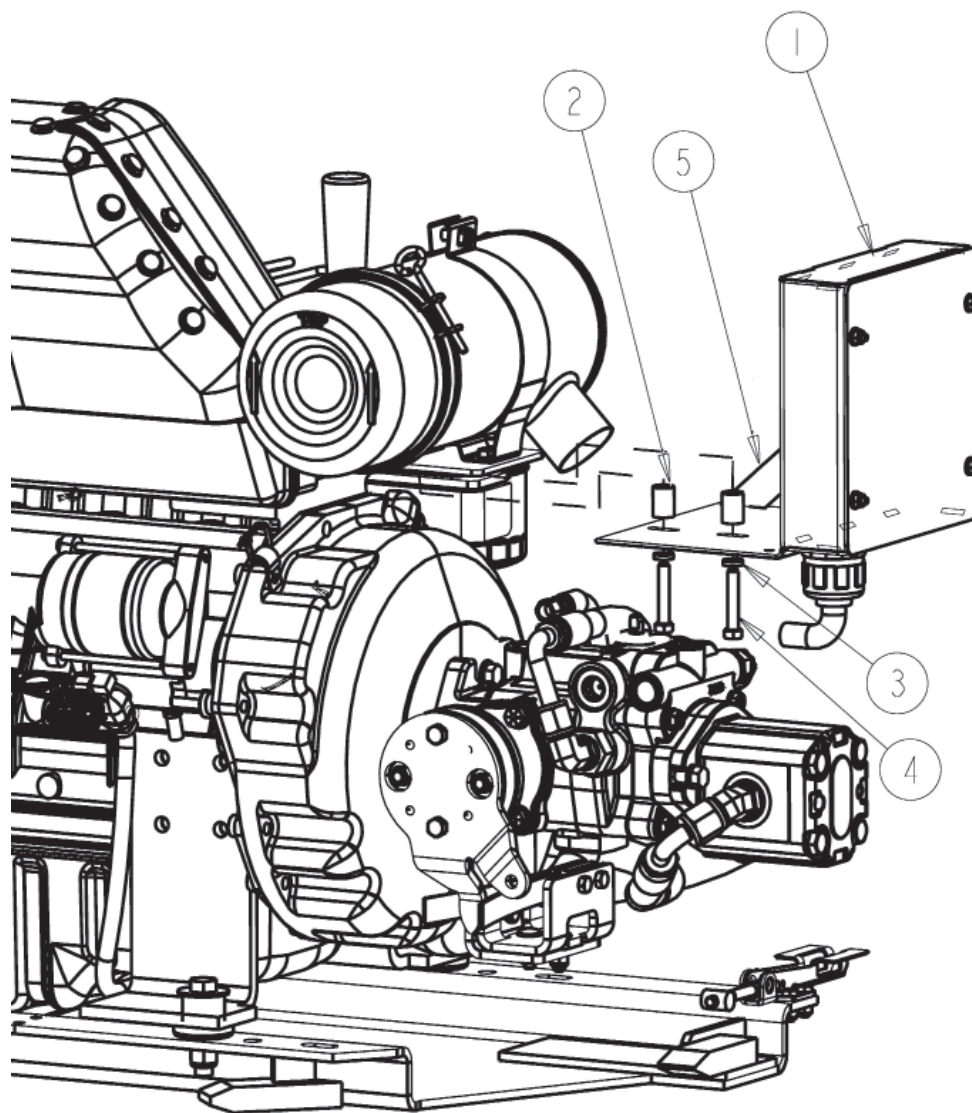
ENGINE KUBOTA V1505 DIESEL - AIR CLEANER ASSEMBLY



ENGINE KUBOTA V1505 DIESEL - AIR CLEANER ASSEMBLY

ITEM	PART NO.	REQ'D	DESCRIPTION
1	3302842	1	ELEMENT-AIR CLEANER, PRIMARY
2	3302597	1	ELEMENT-AIR CLEANER, SAFETY
3	3303827	1	NUT-WING, DONALDSON AIR CLEANER
4	3303031	1	"ASSEMBLY-DONALDSON HEAVY DUTY AIR CLEANER (Includes Items 1,2&3)"
5	3303991	1	INDICATOR-AIR CLEANER RESTRICTION
6	3044112	2	CLAMP-HOSE, φ2.5" SS
7	3333965	1	HOSE-RUBBER AIR INTAKE "U" V1505 KBA

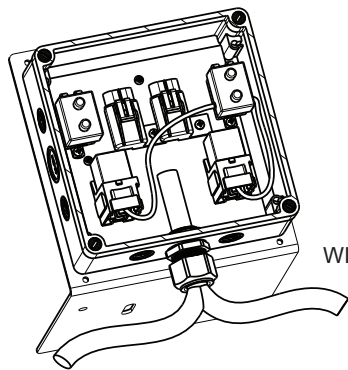
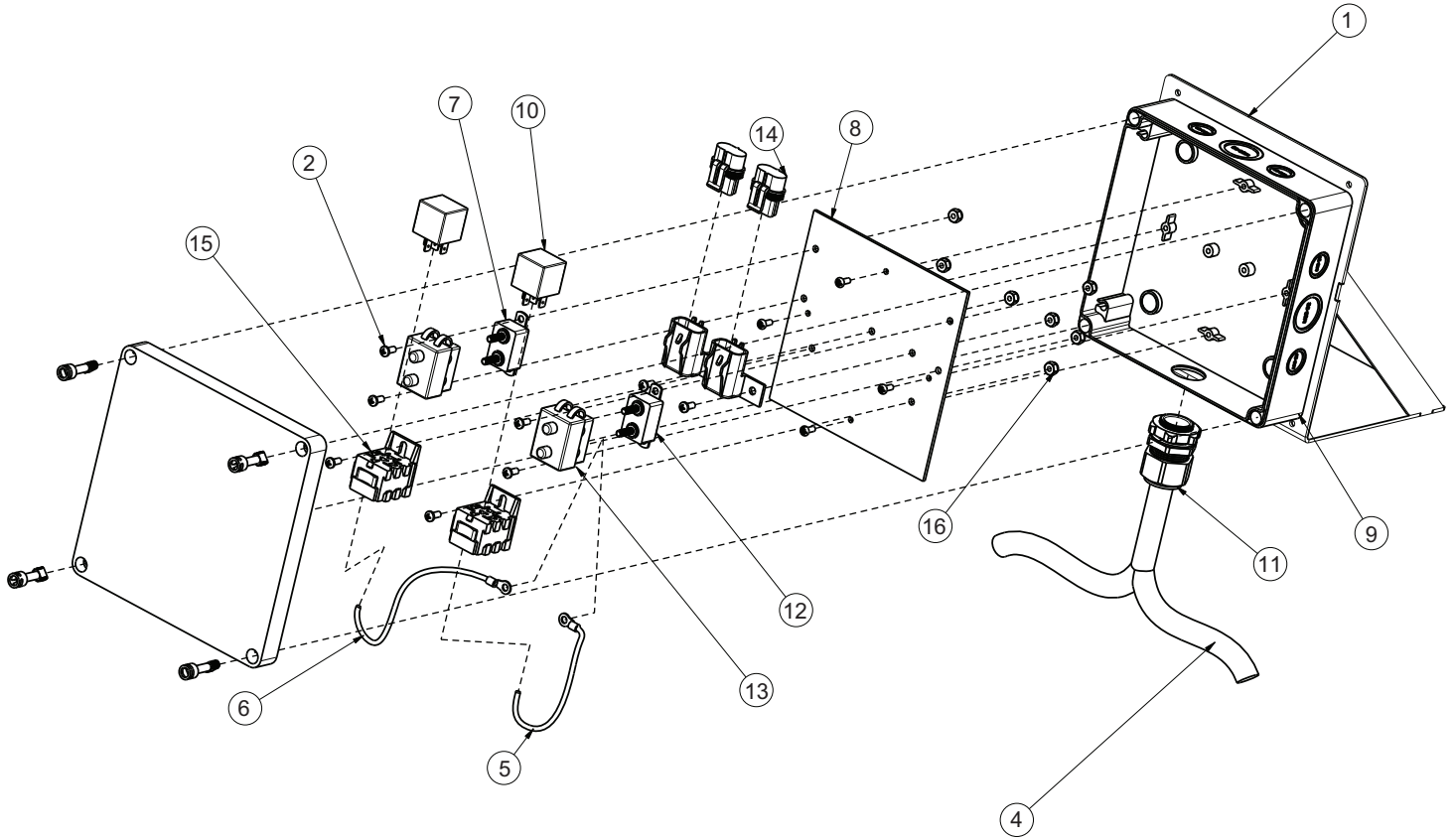
ENGINE KUBOTA V1505 DIESEL - FUSE BOX ASSEMBLY



ENGINE KUBOTA V1505 DIESEL - FUSE BOX ASSEMBLY

ITEM	PART NO.	REQ'D	DESCRIPTION
1	748769	1	ASSY - DIESEL CONTROL BOX
2	3342109	2	SPACER
3	711545	2	WASHER
4	3400231	2	SCR-HEX,5/16-18X2.0 ZP
5	690042	1	BRACKET, MTG, WELD, DIESEL CONTROL BOX

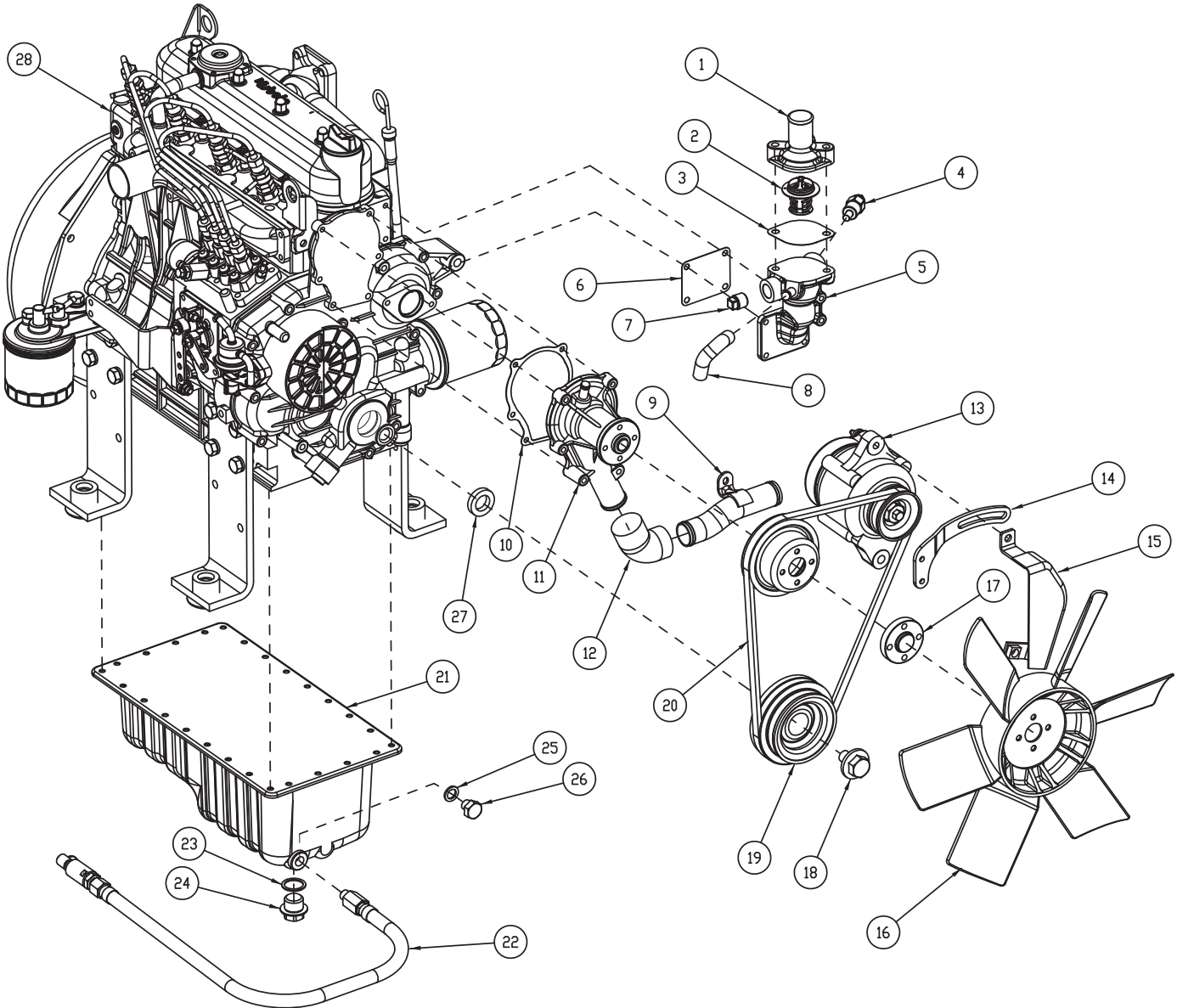
ENGINE KUBOTA V1505 DIESEL - FUSE BOX DETAILS



DIESEL CONTROL BOX
WITH TOP COVER REMOVED

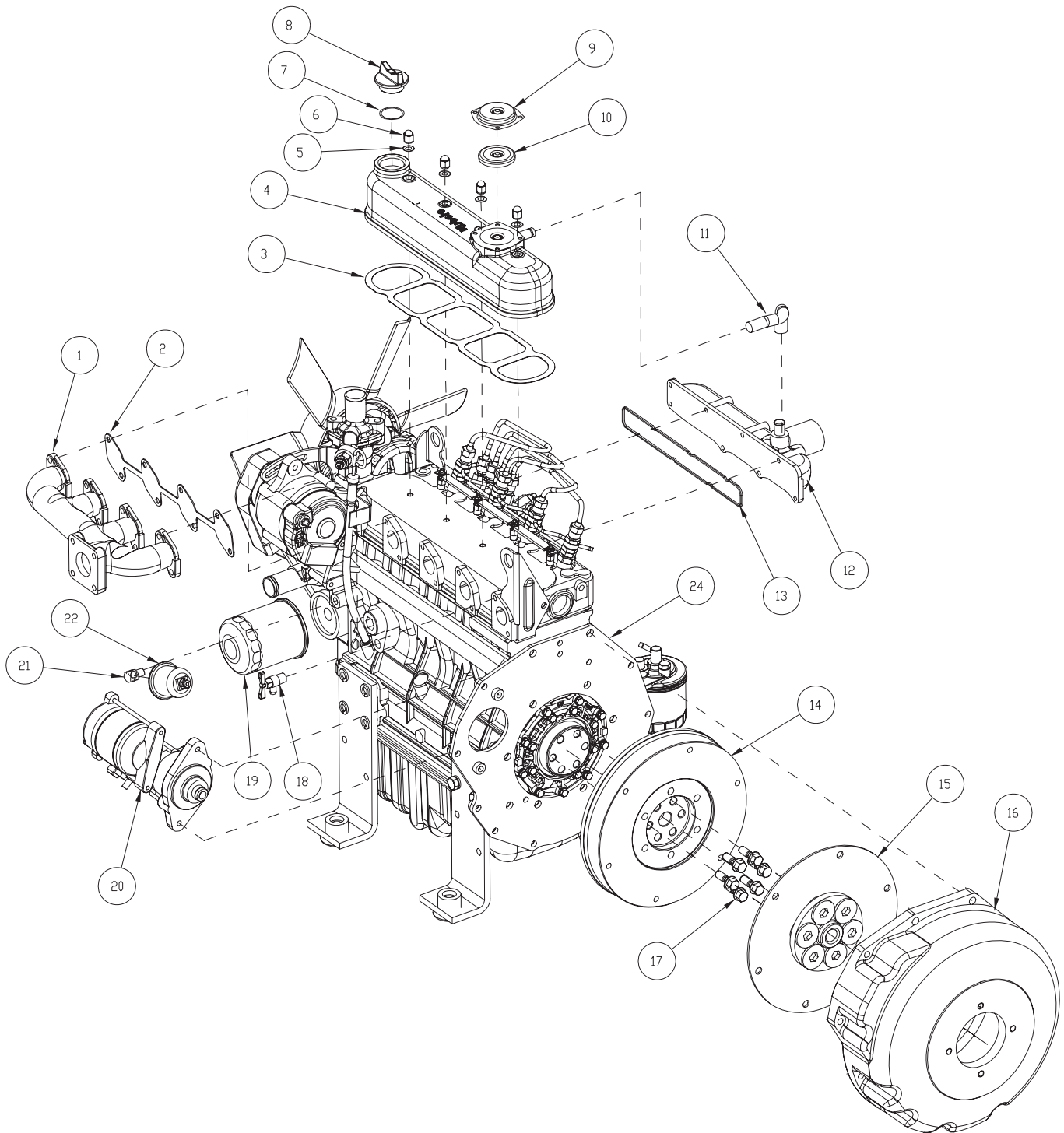
ENGINE KUBOTA V1505 - DIESEL CONTROL BOX (748769)			
ITEM	PART NO.	REQ'D	DESCRIPTION
1	690042	1	BRACKET, MTG, WELD, DIESEL CONTROL BOX
2	710328	8	SCR-RHMS 8-32 X .37 ZP
3	712540	4	SCR-THMS 10-24 X .37 SS
4	748447	1	WIRING HARNESS, KUBOTA DSL CONTROL BOX
5	748447-1	1	WIRE ASSY, ORANGE
6	748447-2	1	WIRE ASSY, YELLOW
7	748762	1	CIRCUIT BREAKER, 12V 50A
8	748763-MCH	1	MOUNTING PLATE, MACHINED
9	748764	1	ENCLOSURE W/ METRIC KNOCKOUTS
10	748767	2	RELAY, 14 VDC 50/30 A
11	748768	1	CORDGRIP, M25, LIQUID TIGHT
12	748962	1	CIRCUIT BREAKER, 12V 40A
13	748963	2	CIRCUIT BREAKER BOOT
14	748964-1	2	ASSY, FUSE HOLDER
15	748967	2	SOCKET, RELAY
16	711372	8	NUT-NYLOC 8-32 ZP

ENGINE KUBOTA V1505 DIESEL - ALTERNATOR, WATER PUMP, FAN, AND OIL PAN



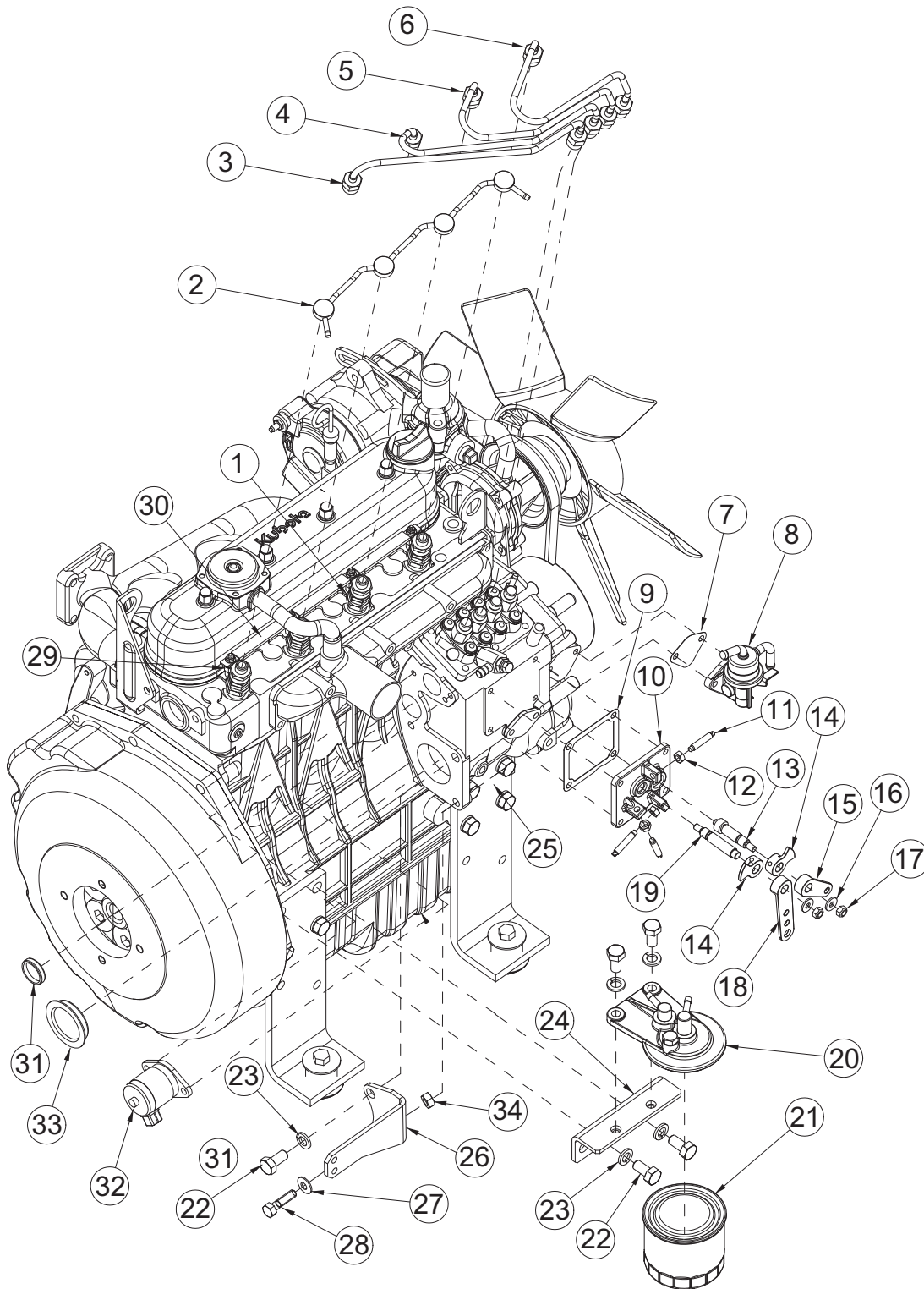
ENGINE KUBOTA V1505 DIESEL - ALTERNATOR, WATER PUMP, FAN, AND OIL PAN			
ITEM	PART NO.	QTY	DESCRIPTION
1	3336919	1	COVER-THERMOSTAT KUBOTA V1505
2	3350446	1	THERMOSTAT-KUBOTA V1505 & V2203
3	3336918	1	GASKET-THERMOSTAT KUBOTA V1505
4	3341070	1	SENDER-TEMPERATURE 12V KUBOTA V1505
5	3336939	1	HOUSING-THERMOSTAT KUBOTA V1505
6	3336915	1	GASKET-WATER FLANGE KUBOTA V1505
7	3336947	1	PLUG-THERMOSTAT HSG KUBOTA V1505
8	3336931	1	PIPE-WATER RETURN THERMOSTAT HSG
9	3336946	1	PIPE-WATER KUBOTA V1505
10	3330793	1	GASKET - KUBOTA V1505 WATER PUMP
11	3330792	1	PUMP - WATER, KUBOTA V1505
12	3336932	1	PIPE-WATER PUMP KUBOTA V1505
13	3329875	1	ALTERNATOR-KUBOTA V1505
14	3336067	1	STAY-DYNAMO
15	3331935	1	COVER-BELT
16	3330210	1	FAN - KUBOTA V1505 ENGINE (SP) 1
17	3336933	1	SPACER-FAN 10MM KUBOTA V1505
18	3336937	1	BOLT-PULLEY KUBOTA V1505
19	3336934	1	PULLEY-ENGINE KUBOTA V1505
20	3329867	1	BELT-KUBOTA V1505V
21	3336920	1	PAN-OIL KUBOTA V1505
22	661004	1	OIL DRAIN ASSY, V1505
23	3344822	1	DRAIN PLUG GASKET, KUBOTA
24	3338327	1	PLUG-DRAIN (BOTTOM)
25	3338328	1	GASKET-OIL PAN (ALTERNATE)
26	3344821	1	PLUG-DRAIN (SIDE) (ALTERNATE)
27	3337571	1	SEAL, OIL KUBOTA V1505
28	690116	1	ENGINE, DSL, DE-RATED - V1505, KUBOTA

ENGINE KUBOTA V1505 DIESEL - FLYWHEEL, STARTER, HEAD COVER, AND MANIFOLD



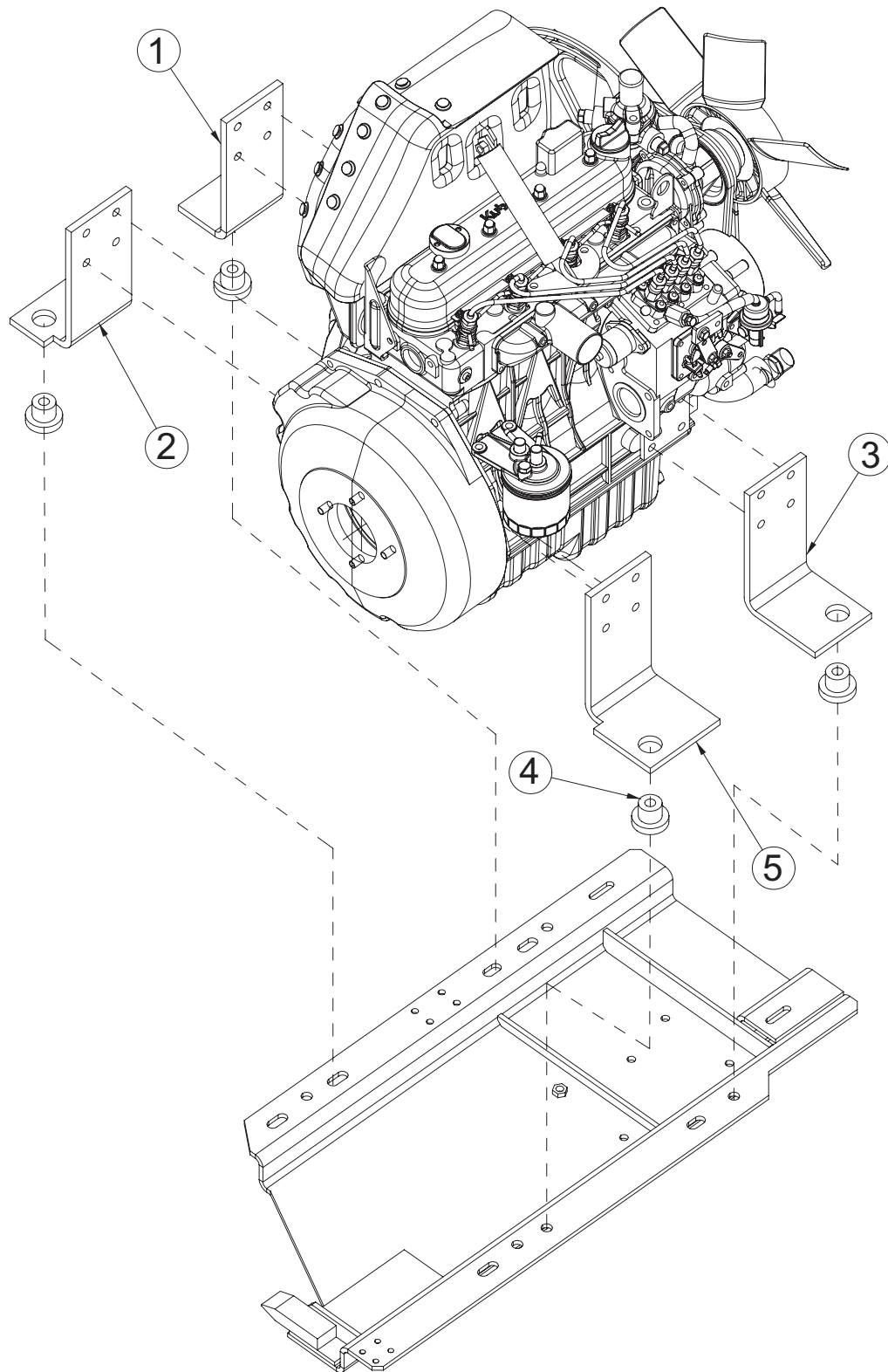
ENGINE KUBOTA V1505 DIESEL - FLYWHEEL, STARTER, HEAD COVER, AND MANIFOLD			
ITEM	PART NO.	QTY	DESCRIPTION
1	3334041	1	MANIFOLD-EXHAUST KUBOTA V1505
2	3333964	1	GASKET-EX-MANIFOLD KUBOTA V1505
3	3334278	1	GASKET - VALVE COVER KUBOTA V1505
4	3336910	1	COVER-CYLHEAD KUBOTA V1505
5	3337572	4	GASKET KUBOTA V1505
6	3336916	4	NUT-CYLHEAD COVER KUBOTA V1505
7	3337573	1	O-RING KUBOTA V1505
8	3336926	1	PLUG-OIL FILLER KUBOTA V1505
9	3337574	1	COVER, BREATHER KUBOTA V1505
10	3337575	1	VALVE BREATHER KUBOTA V1505
11	3337576	1	TUBE BREATHER KUBOTA V1505
12	3336911	1	MANIFOLD-INLET KUBOTA 1505
13	3337577	1	GASKET INTAKE MANIFOLD KUBOTA V1505
14	3336935	1	COMP-FLYWHEEL KUBOTA V1505
15	3329956	1	COUPLING-KUBOTA DIESEL V1505/D905
16	3329957	1	BELL HOUSING KUBOTA V1505 DIESEL
17	3336938	6	BOLT-FLYWHEEL KUBOTA V1505
18	3339628	1	ASSY-COCK DRAIN V1505
19	3324129	1	FILTER - OIL, 1505/905 KUBOTA DIE
20	3330402	1	STARTER - KUBOTA V1505, 12V
21	3301720	1	FTG-90 EL 1/8 FPT
22	3341069	1	SENDER-OIL PRESSURE 12V
23	3305640	1	FTG-NIPPLE 1/8BPT-1/8NPT BRASS
24	3336917	1	PLATE-REAR END V1505

ENGINE KUBOTA V1505 DIESEL - FUEL SYSTEM AND SPEED CONTROL



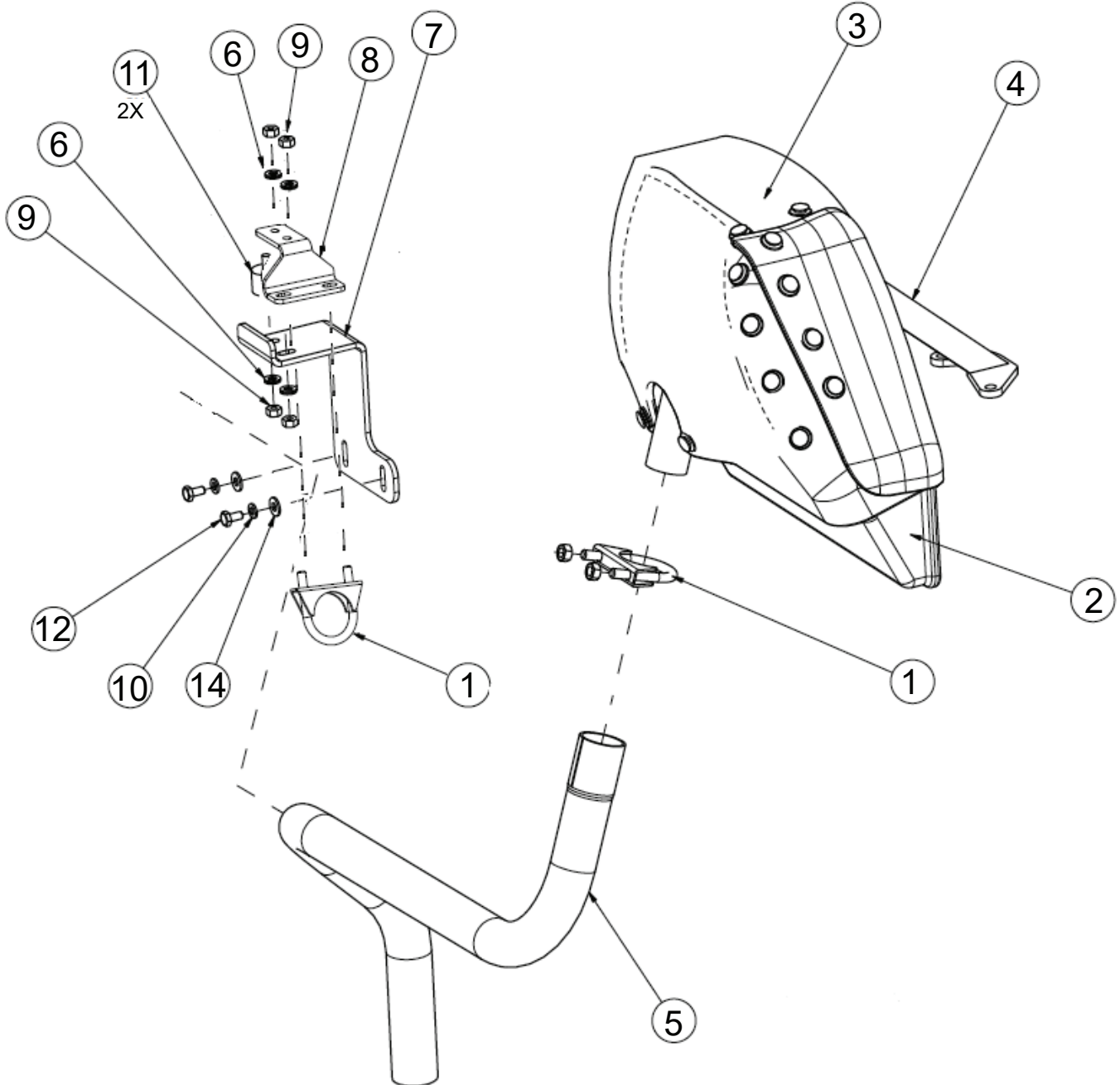
ENGINE KUBOTA V1505 DIESEL - FUEL SYSTEM AND SPEED CONTROL			
ITEM	PART NO.	QTY	DESCRIPTION
1	3330106	4	INJECTOR-KUBOTA V1505 DIESEL
2	3333567	1	FUEL LINE-KBA 1505 LEAK OFF LINE
3	3334998	1	PIPE INJECTION-KUBOTA V1505
4	3334997	1	PIPE INJECTION-KUBOTA V1505
5	3334996	1	PIPE INJECTION-KUBOTA V1505
6	3334995	1	PIPE INJECTION-KUBOTA V1505
7	3330693	1	KUBOTA 1505-FUEL PUMP GASKET
8	3330692	1	PUMP - FUEL, KUBOTA V1505 DIESEL
9	3336924	1	GASKET-CONTROL PLATE KUBOTA V1505
10	3336943	1	PLATE-SPEED CONTROL KUBOTA V1505
11	3336944	3	BOLT-ADJUSTING SPEED CONTROL KUBOTA
12	3336976	3	HUT-HEX JAM 6MM
13	3336948	1	SHAFT-LEVER STOP SPEED CONTROL KUBOTA
14	3336942	2	LEVER-SPEED CONTROL KUBOTA V1505
15	3336945	1	LEVER-ENGINE STOP KUBOTA V1505
16	3336969	2	WASHER-PLAIN 15MM OD X 6MM ID X 1
17	3336970	2	NUT-HEX LOCK 6MM
18	3336941	1	LEVER-SPEED CONTROL KUBOTA V1505
19	3336949	1	LEVER-GOVERNOR KUBOTA V1505
20	3305882	1	MOUNT, FUEL FILTER KUBOTA PNTD
21	3303324	1	FILTER - FUEL KUBOTA DSL (SP)
22	3400293	5	SCR-HEX 10MMX1.25PX20MM ZP
23	3401458	5	WSH-LOCK, 10 MM ZP
24	3336912	1	BRACKET-FUEL FILTER KUBOTA V1505
25	3400390	1	NUT-FLANGE LOCK 5/16-18
26	3350331	1	MOUNT-THROTTLE KBA 1505 DSL
27	3400384	1	WASHER CONICAL SPRING 5/16
28	11038254	1	SCR-HH M8-1.25 X 30 ZP CLASS 8.8
29	3330795	4	GLOW PLUG KUBOTA V1505
30	3337578	1	CORD GLOW PLUG KUBOTA V1505
31	3336927	1	PLUG-ENGINE KUBOTA V1505
32	3334549	1	KIT-SOLENOID FUEL SHUT-OFF W/ JUMPER
33	3336925	1	COVER HYDRAULIC PUMP-ENGINE KUBOTA V1505
34	12022059	1	NUT-HEX M8 X 1.25 STL ZD CL8 DIN 934

ENGINE KUBOTA V1505 DIESEL - MOTOR MOUNTING



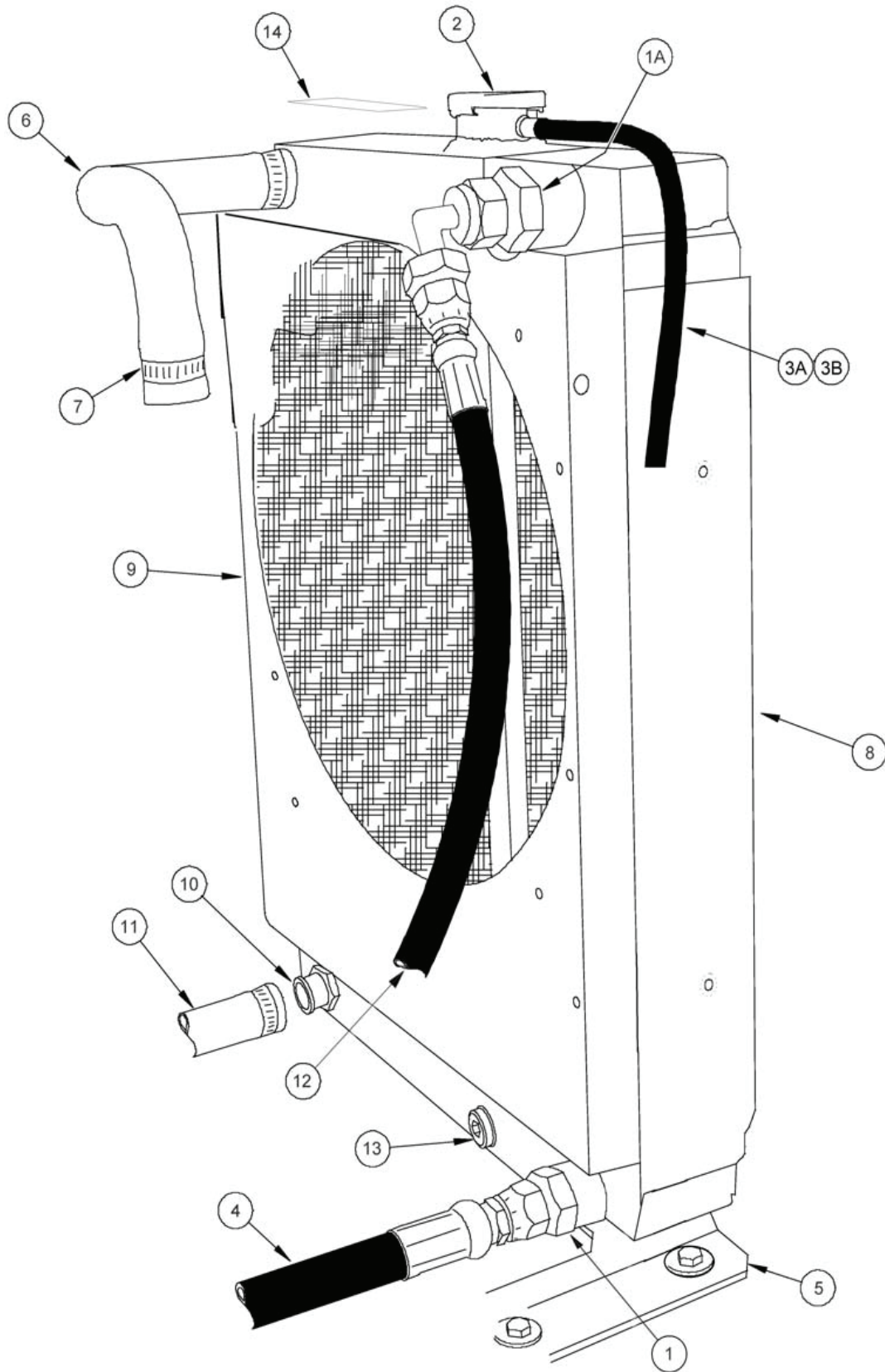
ENGINE KUBOTA V1505 DIESEL - MOTOR MOUNTING			
ITEM	PART NO.	REQ'D	DESCRIPTION
1	690032	1	ENGINE MOUNT, OUTER, AM9D, KUBOTA V1505
2	690032	1	ENGINE MOUNT, OUTER, AM9D, KUBOTA V1505
3	690031	1	ENGINE MOUNT, OUTER, AM9D, KUBOTA V1505
4	3300464	4	ISOLATOR-RUBBER, 1.24 DIAx1.25 LG
5	690031	1	ENGINE MOUNT, INNER, AM9D, KUBOTA V1505
-	3350329	1	BRACKET-HOSE RETAINER, FRONT, KUBOTA V1505 DIESEL (NOT SHOWN)
-	3333301	1	BRACKET-HOSE RETAINER, REAR, KUBOTA V1505 DIESEL (NOT SHOWN)

ENGINE KUBOTA V1505 DIESEL - EXHAUST DETAIL



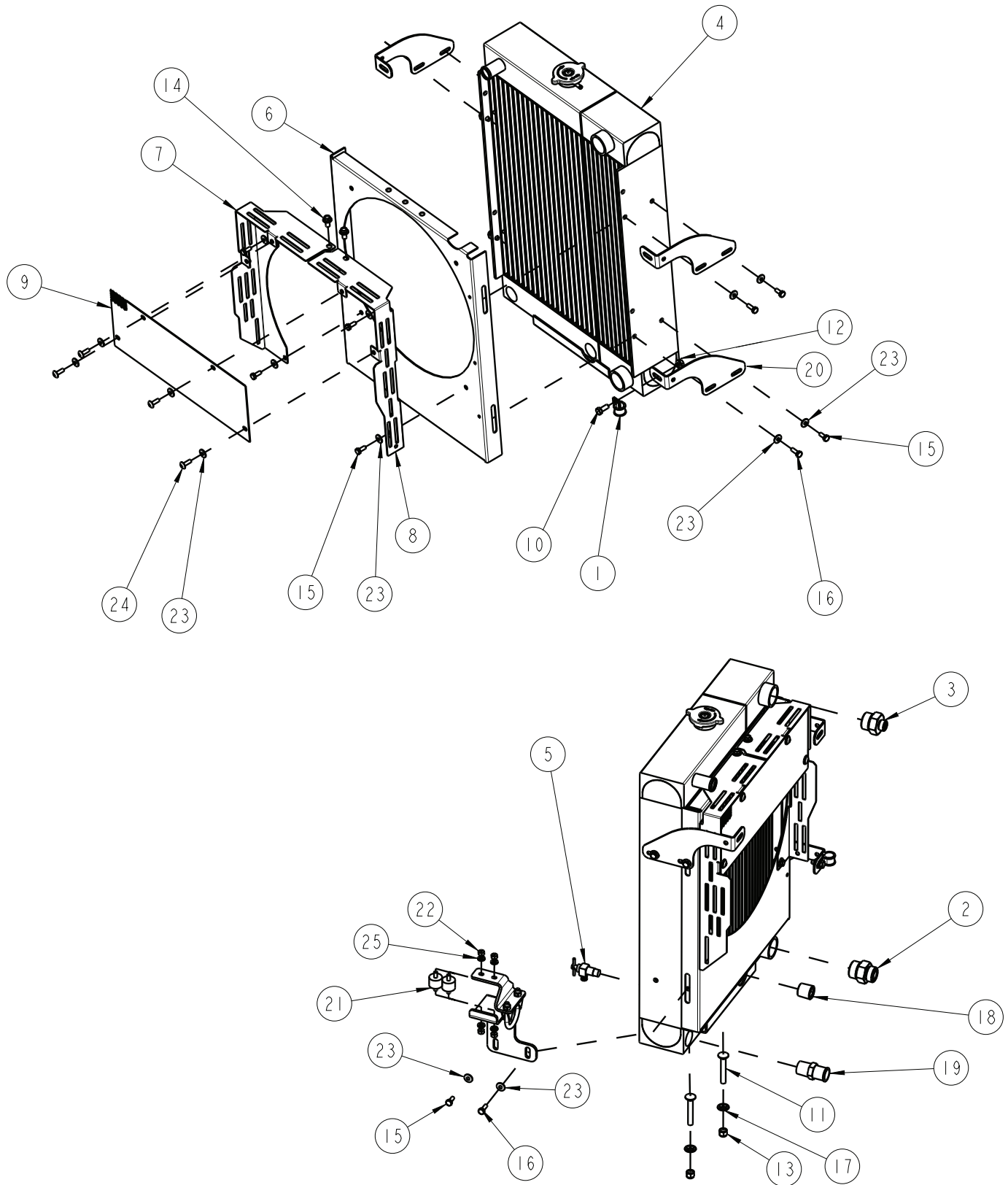
ENGINE KUBOTA V1505 DIESEL - EXHAUST DETAIL			
ITEM	PART NO.	REQ'D	DESCRIPTION
1	3301641	2	CLAMP-EXHAUST 1 1/2
2	3330627	1	MUFFLER-KUBOTA V1505 BOX
3	3330629	1	BLANKET-KUBOTA V1505E BOX EXHAUST
4	EPS2655	1	STAY MUFFLER
5	3335036	1	EXHAUST-KUBOTA V1505 9X
6	3401570-7W	4	WASHER-NORD-LOCK, 1/4, 0.53 OD
7	3336632	1	PLT - EXHAUST MNT BRKT
8	690113	1	BRACKET, UPPER EXHAUST HANGER, 9X/AM9D
9	3400071	4	NUT-HEX 1/4-20
10	711544	2	WASHER-LOCK 1/4 SPLIT
11	3344112	2	ISO-CYL, 1 DIA X 3/4 X 1/4-20,
12	3400043	2	SCR-HH 1/4-20 X .50 ZINC
14	711505	2	WASHER-FLAT 1/4 STANDARD
15	3335134	1	EXHAUST FUNNEL, ARMA
16	713002	4	BLT-HH 1/4-20 X .75 #5 ZINC
17	3400383	4	WASHER-CONICAL SPRING 1/4
18	711425	4	NUT-FLANGED WIZZ 1/4-20 STL ZP

ENGINE KUBOTA V1505 DIESEL - RADIATOR DETAIL 1



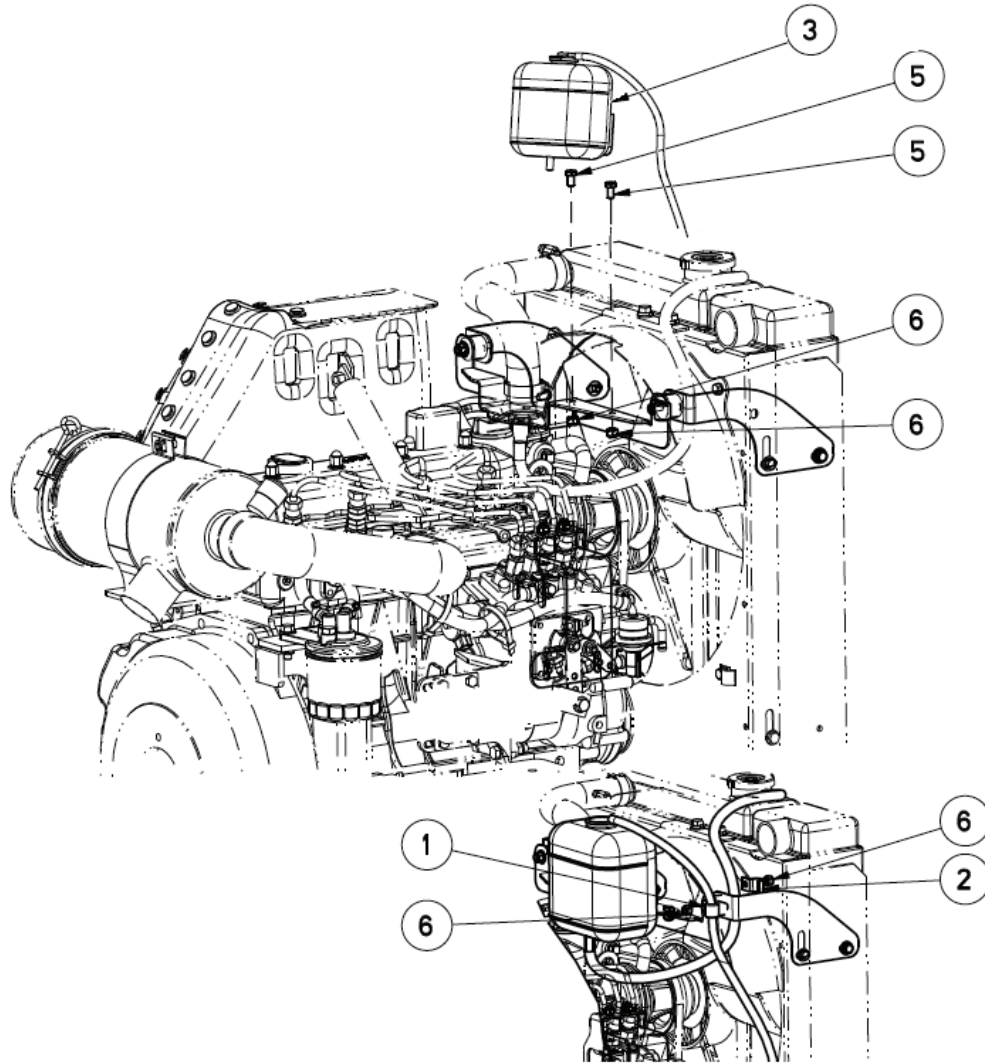
ENGINE KUBOTA V1505 DIESEL - RADIATOR DETAIL 1			
ITEM	PART NO.	REQ'D	DESCRIPTION
1	675503	1	FTG-STR THD CONNECTOR -12 ORFS TO -16 S
1A	675530	1	FTG-STR THD CONNECTOR -8 ORFS TO -16 S
2	3336527	1	RADIATOR CAP
3A	690019	24"	HOSE, RADIATOR TO OVERFLOW BOTTLE, 21" LENGTH
3B	690019	36"	HOSE, OVERFLOW BOTTLE EXIT, 36" LENGTH
4	675419	1	HYD HOSE - RAD OUT TO RESV
5	690033	1	MOUNT-RADIATOR HYD W/COOLER
6	3332643	2	HOSE-UPPER RADIATOR, KUBOTA 1505
7	3303255	4	CLAMP-HOSE 1.75 DIA NOMINAL
8	690125	1	RADIATOR-OIL COOLER, LP/GAS/DSL
9	690150	1	ASSY, FAN SHROUD, DSL/LP/GAS
10	3333489	1	FTG-RADIATOR HOSE
11	690020	1	LOWER RADIATOR HOSE, AM9D
12	675418	1	HYD HOSE - FILTER OUT TO RAD
13	3333488	1	FTG-PLUG, RADIATOR
14	3301733	2	DECAL-WARNING FAN (RAD SHROUD)
--	690225	4	CLAMP- HOSE .460 (NOT SHOWN - USED WITH ITEMS 3A and 3B ON EACH END)

ENGINE KUBOTA V1505 DIESEL - RADIATOR DETAIL 2



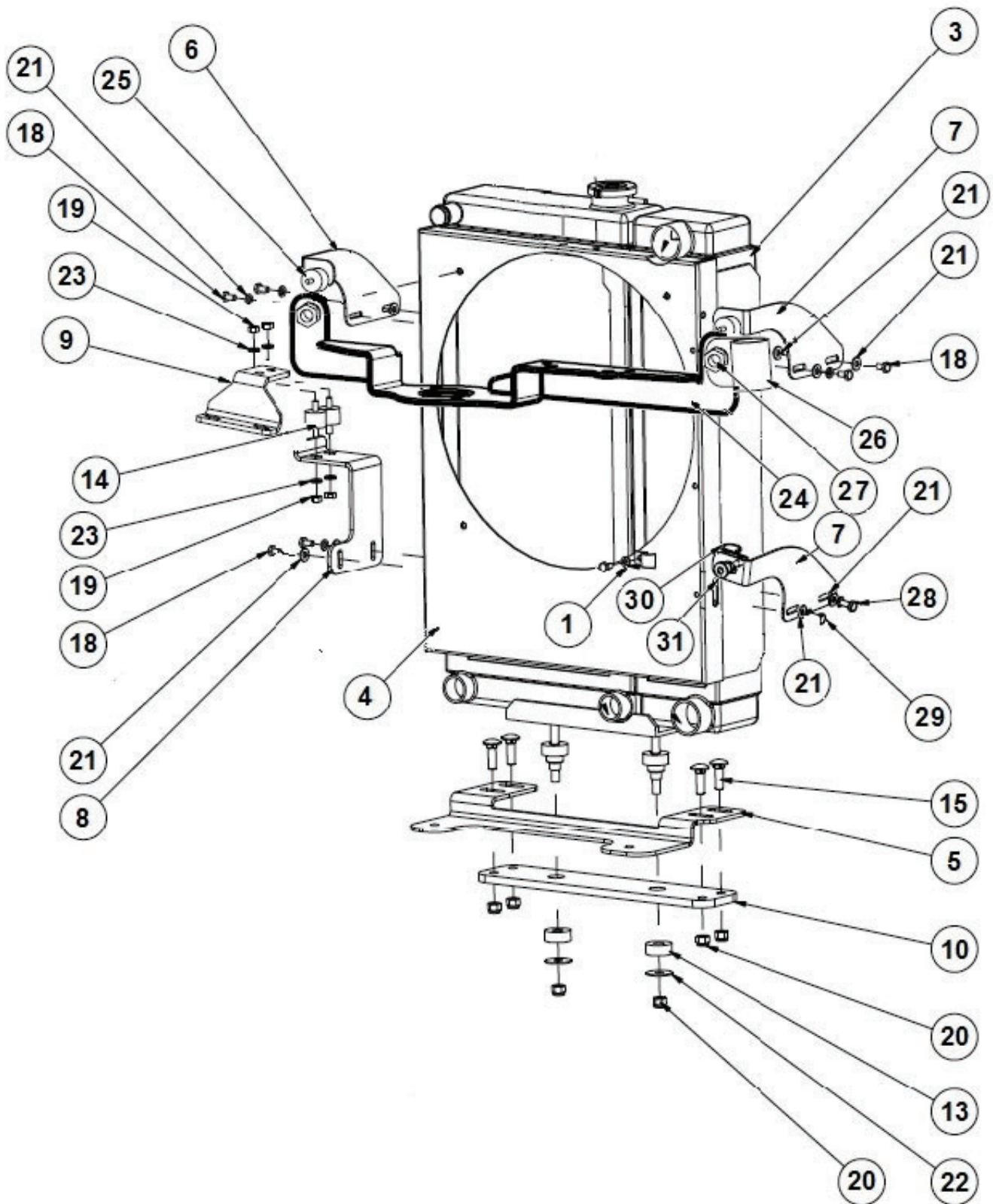
ENGINE KUBOTA V1505 DIESEL - RADIATOR DETAIL 2			
ITEM	PART NO.	REQ'D	DESCRIPTION
1	82-54-A	1	CLAMP-P .75 I.D. 5/16 DIA.
2	675503	1	FTG-ORFS STR THD -12 -16 SAE
3	675530	1	FTG-ORFS STR THD -8 -16 SE
4	690125	1	RADIATOR-OIL COOLER, LP/GAS/DSL
5	690125-1	1	PETCOCK
6	690150	1	ASSY, FAN SHROUD, DSL/LP/GAS
7	690827	1	BRKT ASSY, FAN SHROUD LH
8	690828	1	BRKT ASSY, FAN SHROUD RH
9	690829	1	BRKT, FAN SHROUD PERFORATED
10	711228	1	SCR-HH 5/16-18 X .75 ZP GR 5
11	711254-1	2	BLT-CARR 3/8-16 X 2.50 ZP GR 5
12	711379	1	NUT-FLANGED WIZZ 5/16-18 ZP
13	711380	2	NUT-NYLOC 3/8-16 ZP
14	712042	2	SCR-HH 5/16-18 X.62 ZP GR 5 FLANGE
15	713001	8	SCR-HH 1/4-20 X .62 GR 5 ZP
16	713002	4	SCR-HH 1/4-20 X .75 ZP 5
17	3316981	2	NUT-PUSH RETAINER 3/8 BOLT, 25/32 OD ZP
18	3333488	1	FTG-PLUG -12 BRASS
19	3333489	1	FTG-ADAPTER 1" MPT X 3/4 HB BRASS
20	3336629	1	PLATE- RADIATOR MNT, LH
21	3344112	2	ISO-CYL, 1 DIA X 3/4 X 1/4-20,50LBS
22	3400071	4	NUT-HEX 1/4-20 ZP GR 5
23	3400383	16	WASHER-CONICAL SPRING 1/4
24	3401460	4	SCR-THMS 1/4-20 X .75 PHIL 18-8 SS
25	3401570-7W	4	WASHER-NORD-LOCK, 1/4, 0.53 OD, ZP

ENGINE KUBOTA V1505 DIESEL - RADIATOR COOLANT TANK & MOUNT



ENGINE KUBOTA V1505 DIESEL - RADIATOR COOLANT TANK & MOUNT			
ITEM	PART NO.	REQ'D	DESCRIPTION
1	713527	1	P-CLAMP, VINYL COVERED, 1/2 DIA
2	3301158	1	CLAMP-CABLE 11/16" DIA CLAMP-SADDLE TYPE 5/16" DIA.
3	3344101	1	RESERVOIR ASSY
4	3344112	4	ISOLATOR- CYLINDRICAL, 1 DIA X 3/4 X 1/4-20,
5	713002	6	BLT-HH 1/4-20 X .75 #5 ZINC
6	711373	10	NUT-NYLOC 1/4-20

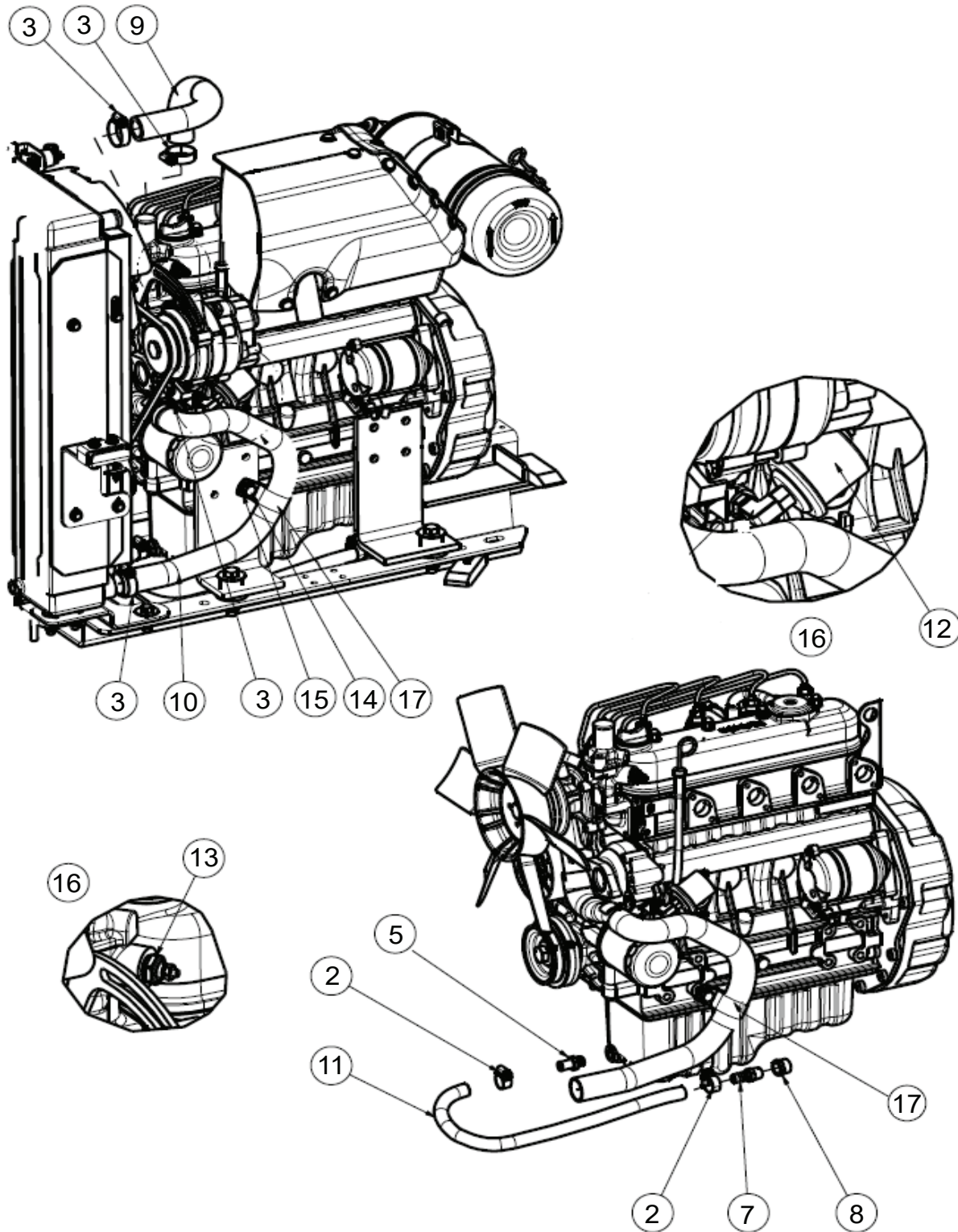
ENGINE KUBOTA V1505 DIESEL - RADIATOR ASSY & MOUNTING BRACKETS



ENGINE KUBOTA V1505 DIESEL - RADIATOR ASSEMBLY & MOUNTING BRACKETS

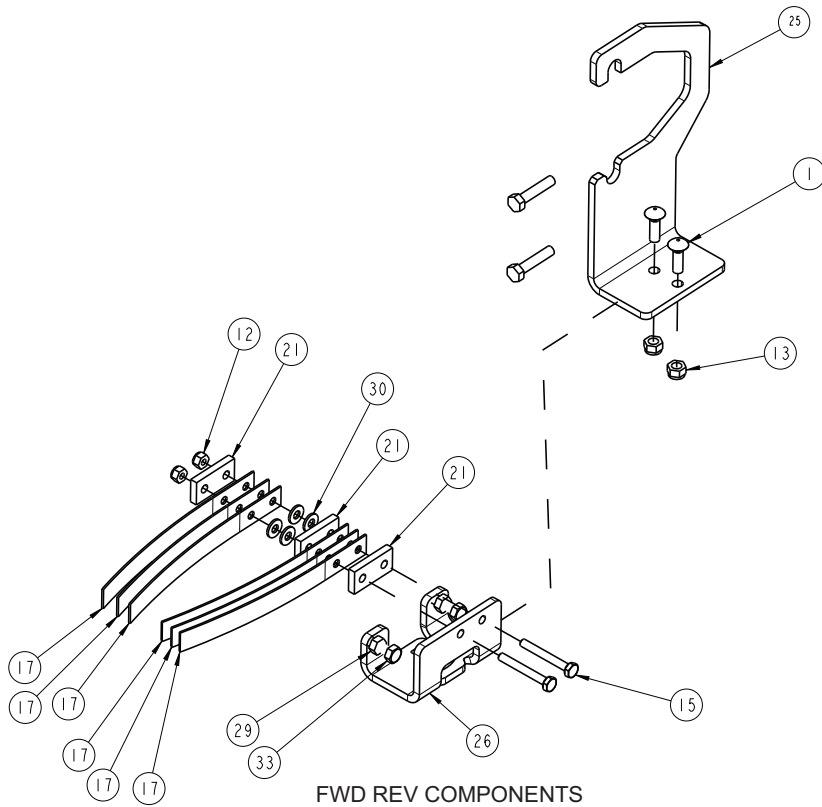
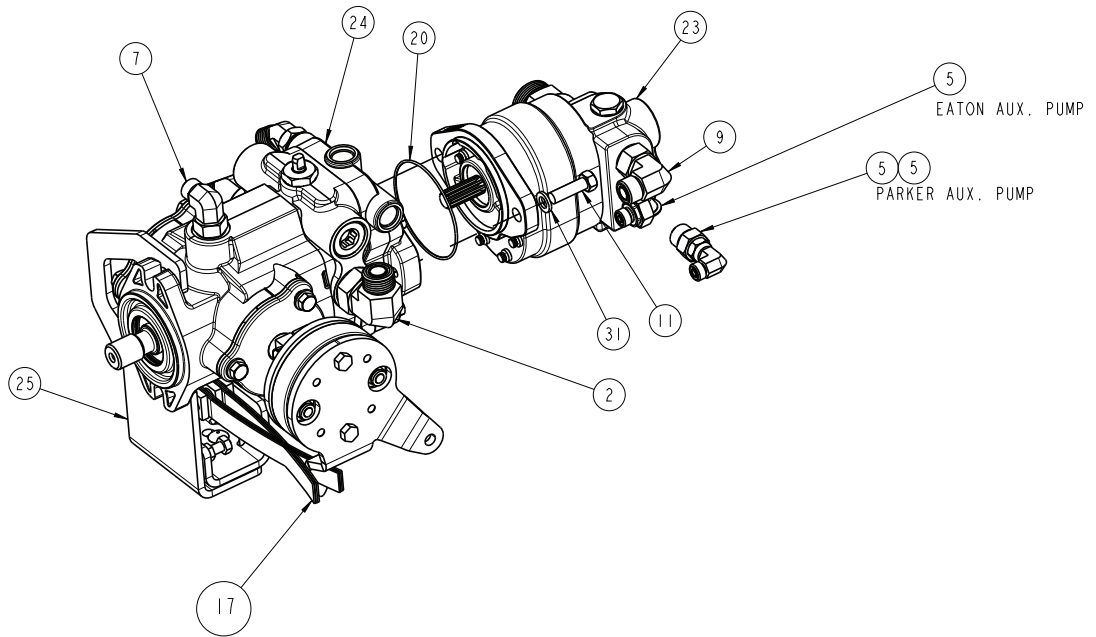
ITEM	PART NO.	REQ'D	DESCRIPTION
1	3301158	1	CLAMP-SADDLE TYPE 11/16" DIA.
3	690125	1	RADIATOR-OIL COOLER COMBO
4	690150	1	ASSY, FAN SHROUD, DSL/LP/GAS
5	690033	1	PLATE- BASE, RADIATOR MOUNT, AM9D
6	3336627	1	PLT-RADIATOR MNT, RH TOP
7	3336629	2	PLT - RADIATOR MNT, LH TOP
8	3336632	1	PLT - EXHAUST MNT BRKT
9	690113	1	PLT - EXHAUST MNT, UPPER BRKT
10	3336634	1	PLT - RADIATOR MNT
13	3344110	2	ISOLATOR-BONDED BUSHING BOTTOM RADIATOR
14	3344112	2	ISOLATOR- CYLINDRICAL, 1 DIA X 3/4 X 1/4-20,
15	3400007	4	SCR-CAR,3/8-16X1.25
18	3400040	6	BLT-HH 1/4-20 X 1.00 STL ZINC
19	3400071	4	NUT-HEX 1/4-20
20	711380	6	NUT-NYLOC 3/8-16
21	711505	8	WASHER-FLAT 1/4 ZP
22	3400278	2	WASHER-FENDER 3/8
23	3401570-7W	4	WASHER-NORD-LOCK, 1/4, 0.53 OD
24	661133	1	BRKT, RADIATOR, UPPER
25	3334426	1	ISOLATOR-RAD MNT
26	713527	1	P-CLAMP, VINYL COVERED, 1/2 DIA
27	711374	2	NUT-NYLOC 5/16-18 ZP
28	713001	1	SCR-HH 1/4-20 X .62 PLAIN GR 5
29	713002	1	SCR-HH 1/4-20 X .75 ZP 5
30	82-54-A	1	CLAMP-P .75 I.D. 5/16 DIA.
31	711228	1	SCR-HH 5/16-18 X .75 ZP GR 5

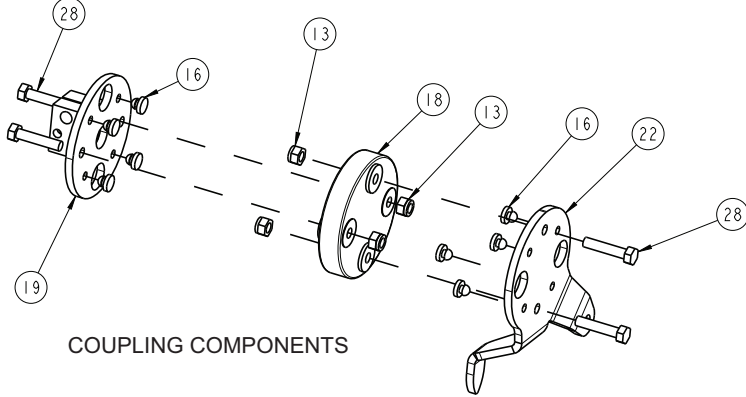
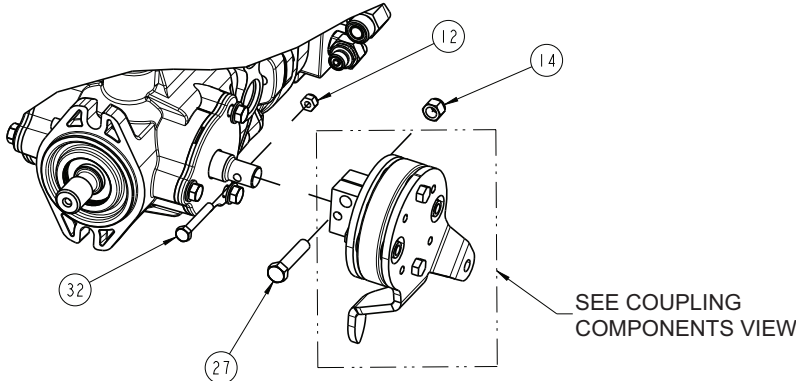
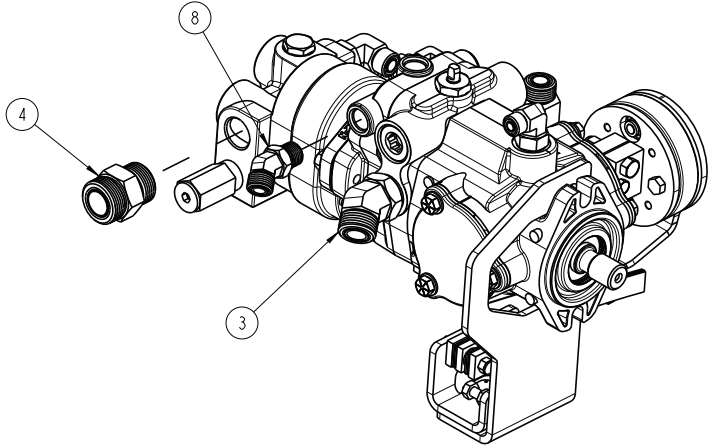
ENGINE KUBOTA V1505 DIESEL - RADIATOR ASSY, CLAMPS, HOSES & SENDERS



ENGINE KUBOTA V1505 DIESEL - RADIATOR ASSEMBLY, CLAMPS, HOSES & SENDERS			
ITEM	PART NO.	REQ'D	DESCRIPTION
2	713527	2	CLAMP-HOSE 1/2 NOM
3	3301158	4	CLAMP-HOSE 1.25 NOM
5	3345502	1	ADAPTER, OIL DRAIN - MALE/FEMALE
7	3345503	1	FTG-BRASS,3/8" BARB X 1/4" MALE NPT
8	3345506	1	FTG-BRASS,3/8" BARB X 1/4" FEMALE NPT
9	3332643	1	HOSE-RAD UPPER 1505
10	690020	1	HOSE-RAD LOWER 1505
11	3345505	1	HOSE - 1/2" ID X 24" PCV OIL DRAIN
12	3341069	1	SENDER-OIL PRESSURE 12V
13	3341070	1	SENDER-TEMPERATURE 12V
14	711206	2	SCR-HH 1/4-20 X .87 ZP GR 5
15	3400385	1	WASHER-CONICAL SPRING 3/8
16	3401122	0.100	565 PST. Thrd Slnt 50ml (WHITE LOCTITE 565)
17	3343082	1	CLAMP-PIPE, 9/16 DIA, INSULATED

ENGINE KUBOTA V1505 DIESEL, WG1605 GAS & LPG - HYDRAULIC PUMP DETAIL



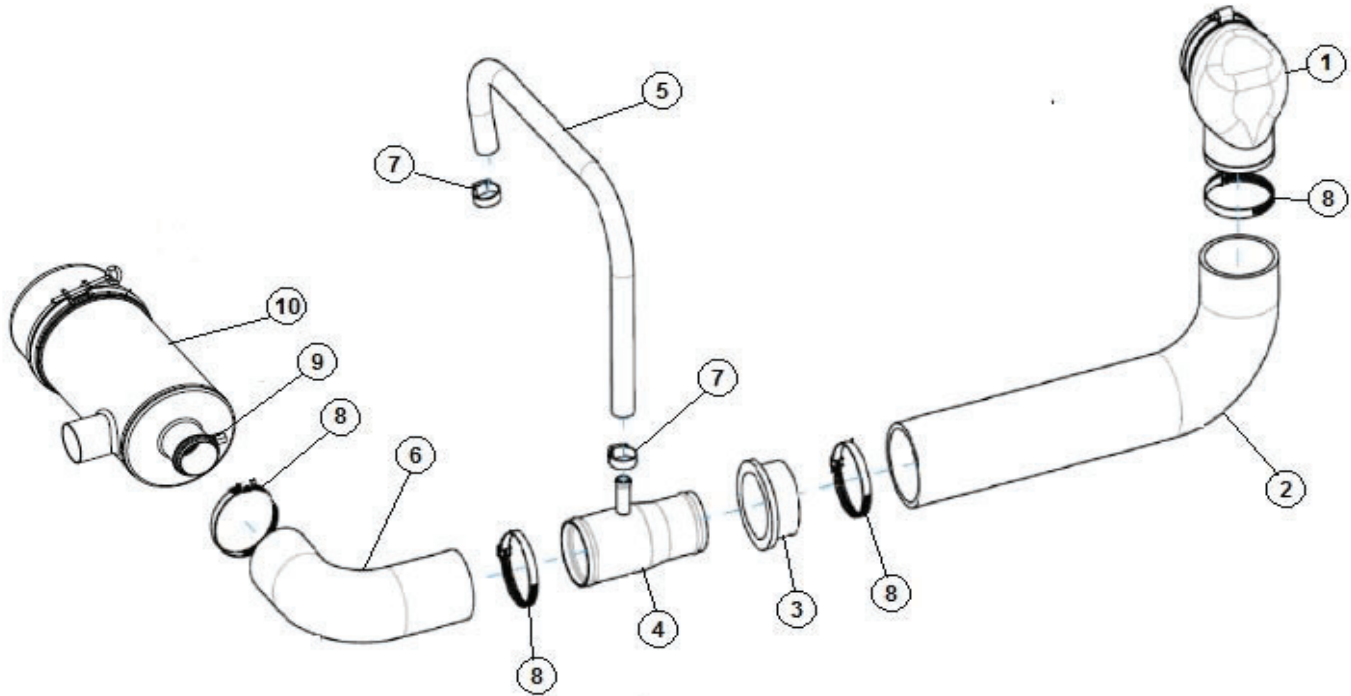


COUPLING COMPONENTS

ENGINE KUBOTA V1505 DIESEL - HYDRAULIC PUMP DETAIL			
ITEM	PART NO.	REQ'D	DESCRIPTION
1	70-516-16	2	BLT-CARR 5/16-18 X 1 ZP
2	675500	1	FTG-ORFS 90 ELBOW -10 -12 SAE
3	675502	1	FTG-ORFS 45 ELBOW -12 -12 SAE
4	675505	1	FTG-ORFS STR THD -16 -16 SAE
5	675512	1	FTG-ORFS 90 ELBOW -4 -8 SAE (EATON AUXILIARY PUMP)
	675513	1	FTG-ORFS STR THD -4 -8 SAE (PARKER AUXILIARY PUMP)
	675739	1	FTG-ORFS 90 ELBOW SWIVEL NUT -4 -4 SAE (PARKER AUXILIARY PUMP)
7	675520	1	FTG-ORFS 90 ELBOW -6 -8 SAE
8	675527	1	FTG-ORFS 45 ELBOW -8 -8 SAE
9	675528	1	FTG-ORFS 90 ELBOW -8 -10 SAE
11	711250	2	SCR-HH 3/8-16 X 1.25 ZP GR 5
12	711373	3	NUT-NYLOC 1/4-20 ZP
13	711374	6	NUT-NYLOC 5/16-18 ZP
14	711380	1	NUT-NYLOC 3/8-16 ZP
15	713007	2	SCR-HH 1/4-20 X 2.00 ZP GR 5
16	3300526	8	BUMPER-RUBBER 1/4 ID X 1/8 THK
17	3300543	6	SPRING-FWD/REV RETURN
18	3301507	1	COUPLING-RUBBER, DIR CONTROL
19	3301544	1	DISC FWD/REV ZP
20	3303711	1	ORING-STATIC SEAL 3.239 ID
21	3303918	3	SPACER-FWD/REV BRACKET ZP
22	3307219	1	PLATE-DIRECTIONAL CONT PLTD SW/A
23	3321397	1	PUMP-AUX HYDRAULIC (9XR, 9XD,10X,AM9D)
24	3335072	1	PUMP-PISTON, VARIABLE, 1.44 CIR, PROPEL

ENGINE KUBOTA V1505 DIESEL - HYDRAULIC PUMP DETAIL			
ITEM	PART NO.	REQ'D	DESCRIPTION
25	3335200	1	PLATE- FWD/REV SPRING MNT V1505
26	3335301	1	BRKT-FWD/REV ZP. 9X
27	3400027	1	SCR-HH 3/8-16 X 1.75 ZP
28	3400033	4	SCR-HH 5/16-18 X 1.50 ZP GR 5
29	711322	2	NUT-HEX 5/16-24 ZP
30	711505	4	WASHER-FLAT 1/4 ZP
31	711546	2	WASHER-LOCK 3/8 SPLIT ZP
32	3400173	1	SCR-HH 1/4-20 X 1.75 ZP GR 5 PART THRD
33	3400221	2	SCR-HH 5/16-24 X 1.00 ZP GR 5

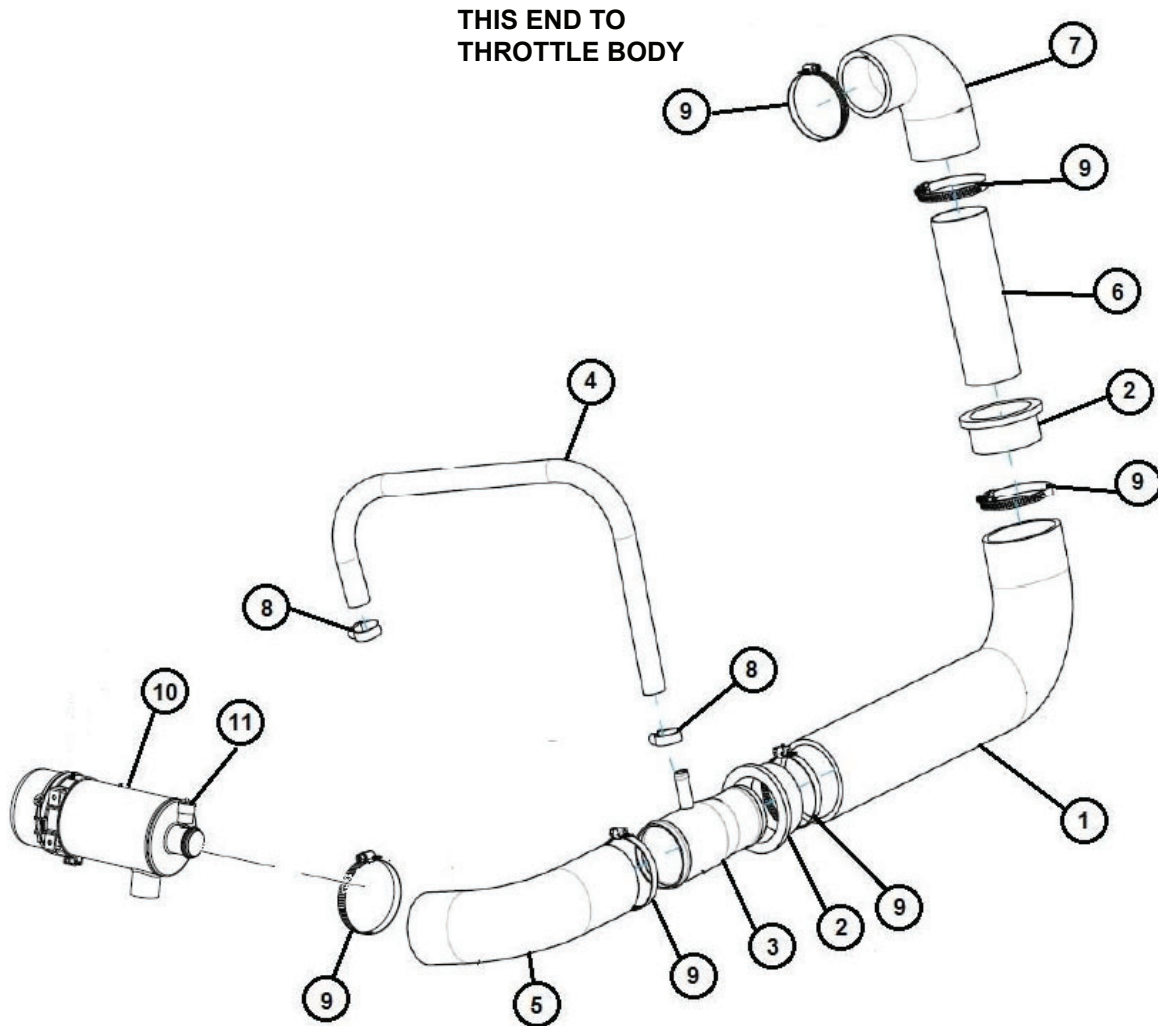
ENGINE KUBOTA WG1605 LPG - AIR CLEANER DETAIL



ENGINE KUBOTA WG1605 LPG - AIR CLEANER DETAIL

ITEM	PART NO.	REQ'D	DESCRIPTION
1	620662	1	COUPLER NECK, THROTTLE BODY - 9X LP
2	690195	1	INDUCTION HOSE, ENGINE SIDE - 9X LP
3	620657	1	COUPLER, REDUCER, 2.5 TO 2.25 - 9X LP
4	690197	1	TUBE, INDUCTION - 9X LP
5	690198	1	HOSE, CRANK CASE VENT - 9X GAS/LP
6	690199	1	INDUCTION HOSE, AIR CLEANER SIDE - 9X
7	829129	2	CLAMP-HOSE WORM-DRV8-22MM HOSE DIA. 5/16
8	3044112	4	CLAMP-HOSE, SS, 2.50 MAX WORM
9	3303991	1	INDICATOR-AIR CLEANER RESTRICTION
10	3303031	1	AIR CLNR- HEAVY DUTY; CAP, MOUNT, HOUSING

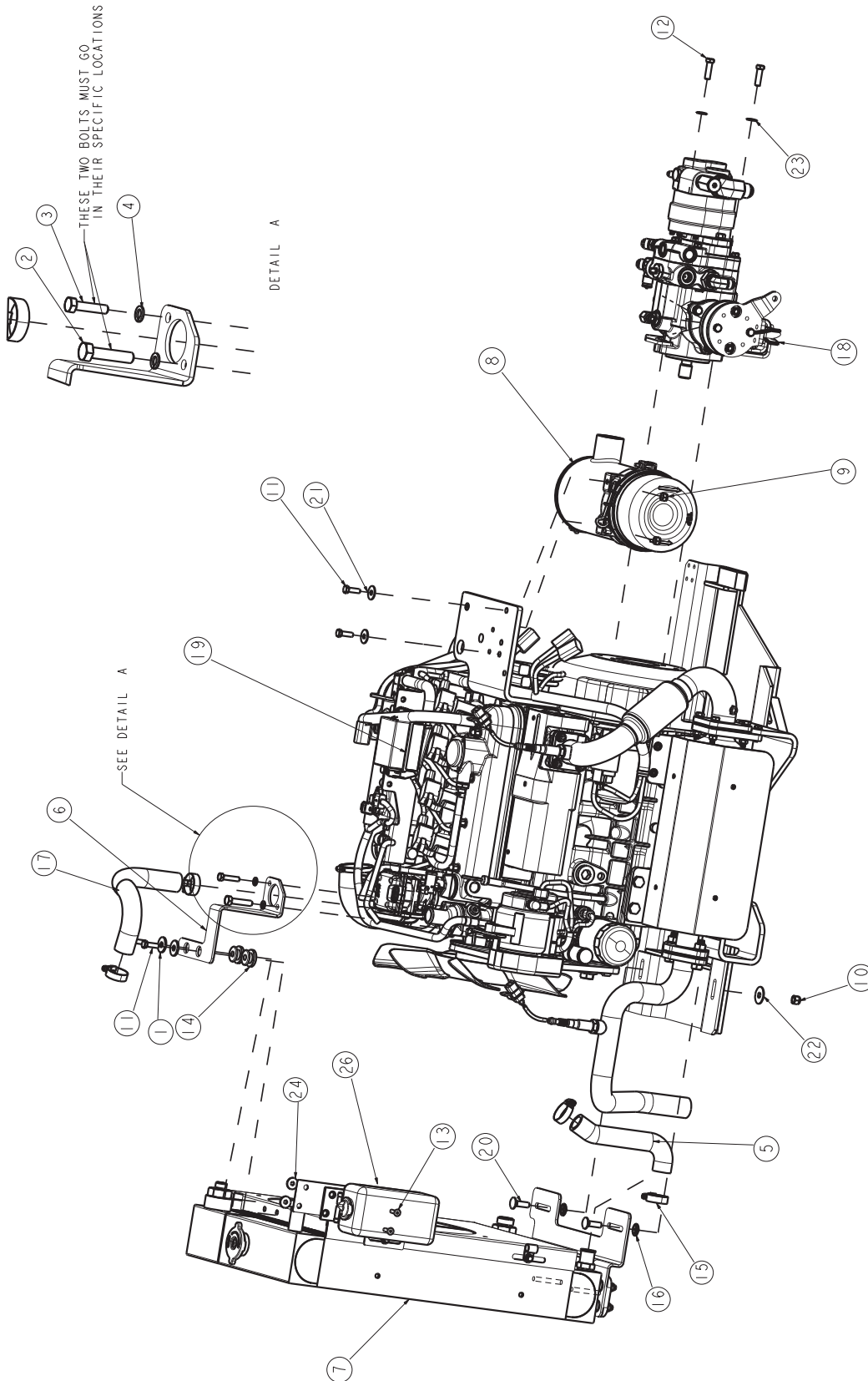
ENGINE KUBOTA WG1605 GAS - AIR CLEANER DETAIL



ENGINE KUBOTA WG1605 GAS - AIR CLEANER DETAIL

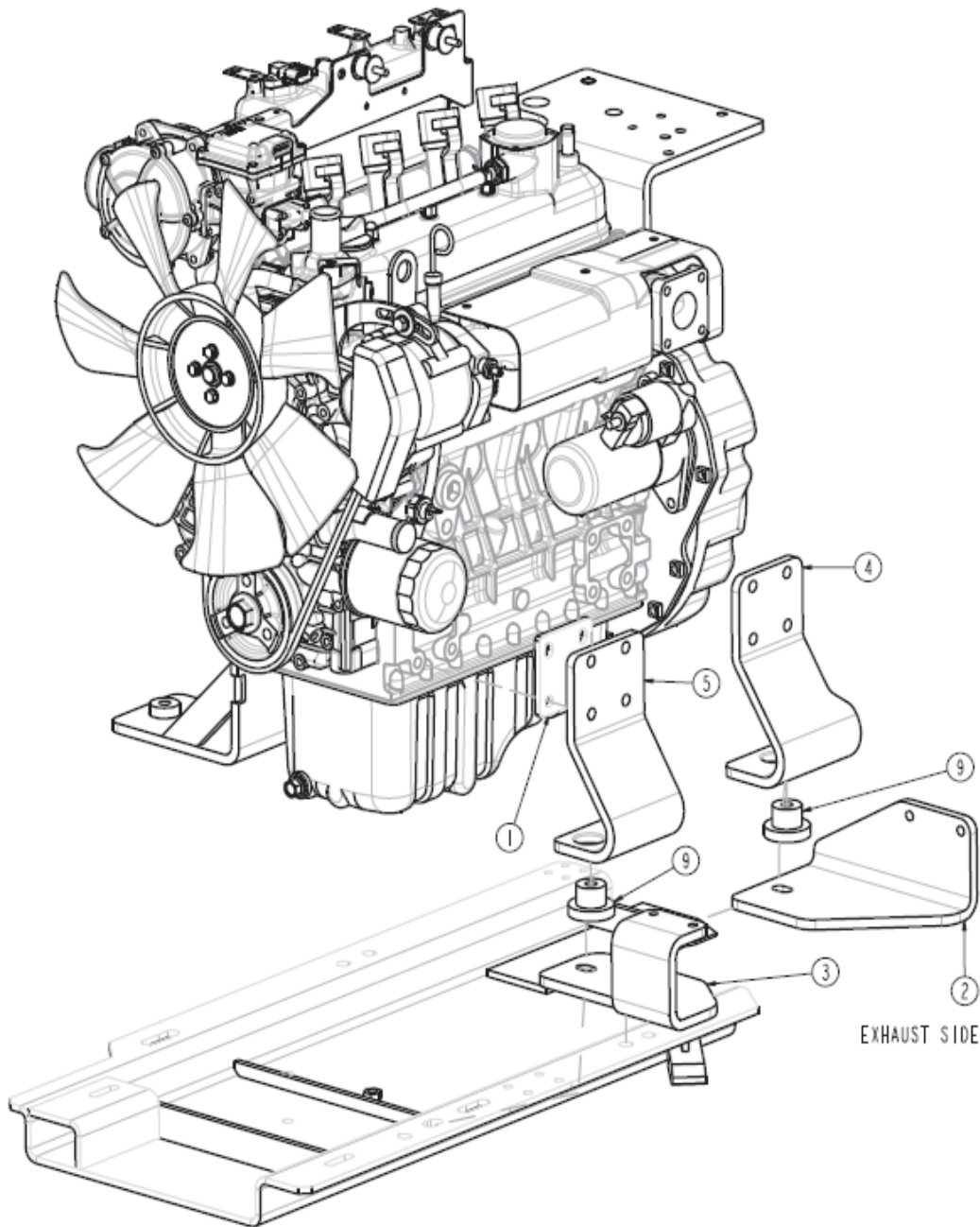
ITEM	PART NO.	REQ'D	DESCRIPTION
1	690195	1	INDUCTION HOSE, ENGINE SIDE - 9X LP
2	620657	2	COUPLER, REDUCER, 2.5 TO 2.25 - 9X LP
3	690197	1	TUBE, INDUCTION - 9X LP
4	690198	1	HOSE, CRANK CASE VENT - 9X GAS/LP
5	690199	1	INDUCTION HOSE, AIR CLEANER SIDE - 9X
6	690223	1	TUBE, INDUCTION, UPPER
7	690224	1	INDUCTION HOSE, UPPER
8	829129	2	CLAMP-HOSE WORM-DRV8-22MM HOSE DIA. 5/16
9	3044112	6	CLAMP-HOSE, SS, 2.50 MAX WORM
10	3303031	1	AIR CLNR- HEAVY DUTY; CAP, MOUNT, HOUSING
11	3303991	1	INDICATOR-AIR CLEANER RESTRICTION

ENGINE KUBOTA WG1605 GAS & LPG ENGINE ASSEMBLY



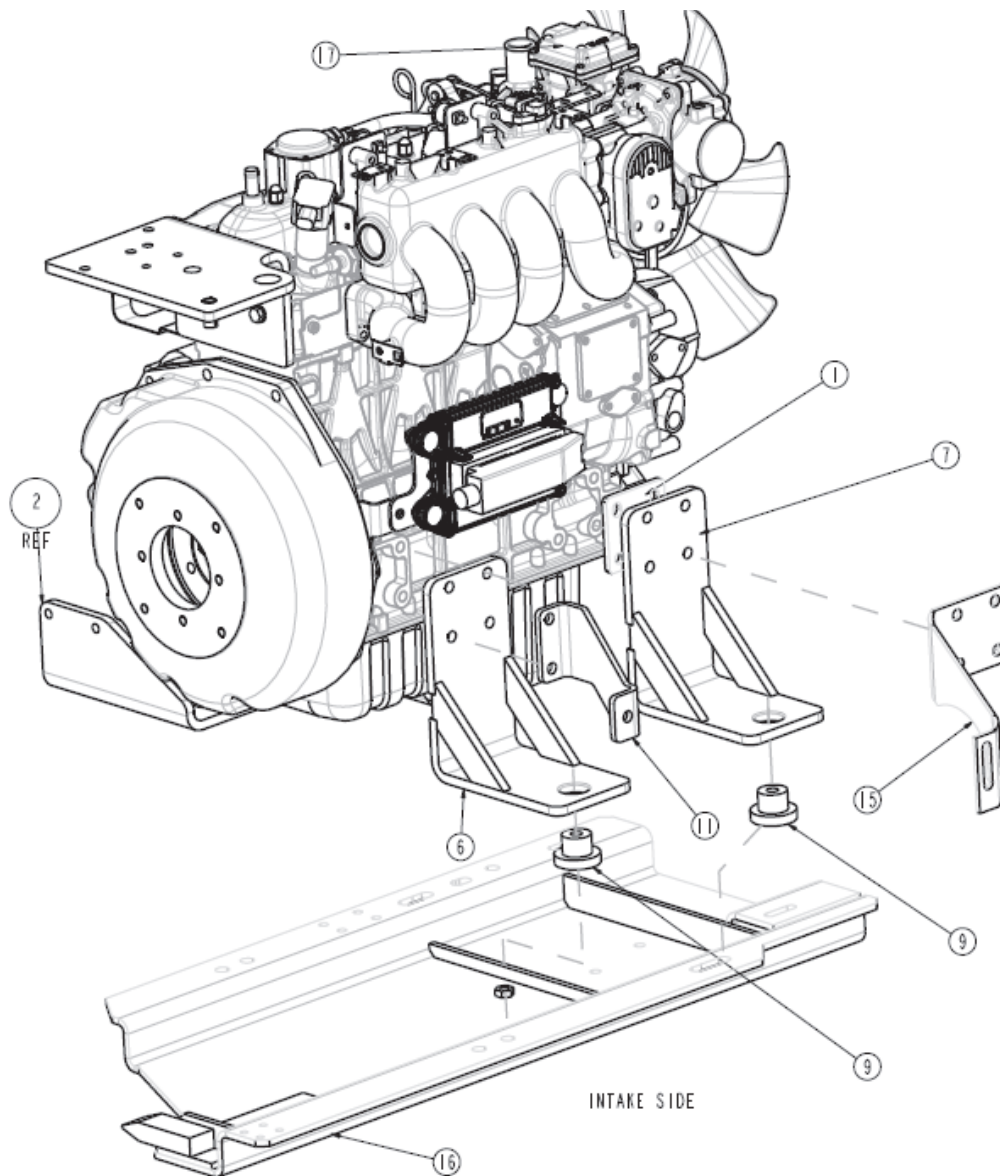
ENGINE KUBOTA WG1605 GAS & LPG ENGINE ASSEMBLY			
ITEM	PART NO.	REQ'D	DESCRIPTION
1	600363	2	WASHER-FLAT .39 X 1.12 X .1 ZP
2	600820	1	SCR-HH M8-1.25 X 45 ZP CLASS 8.8
3	600918	1	SCR-HH M8-1.25 X 35 ZP CLASS 8.8
4	600959	2	WASHER-LOCK M8 ZINC SPLIT
5	690020	1	LOWER RADIATOR HOSE, AM9D
6	690161	1	BRKT, RADIATOR UPPER - 9X LP/GAS
7	690125	1	RADIATOR-OIL COOLER, LP/GAS/DSL
8	690204	1	GROUP, AIR CLEANER - 9X
9	711374	2	NUT-NYLOC 5/16-18 ZP
10	711380	2	NUT-NYLOC 3/8-16 ZP
11	713027	4	SCR-HH 5/16-18 X 1 ZP GR 5
12	713043	2	SCR-HH 3/8-16 X 1.25 ZP GR 5
13	731382	2	SCR-FHSCS M6-1.00 X 20 ZP
14	3300465	2	ISOLATOR-RUBBER (.375IDx.81OD)
15	3303255	4	CLAMP-HOSE 1.75 DIA NOMINAL
16	3316981	2	NUT-PUSH RETAINER 3/8 BOLT, 25/32 OD ZP
17	3332643	1	HOSE-RAD UPPER 1505 (COOLER)
18	690692	1	ASSY-HYDRAULIC PUMPS ARMA, 9X
19	690176	1	ENGINE, BASE - 9X LP
	690221	1	ENGINE, RAW, WG1605, GASOLINE - 9X
20	3400007	2	BLT-CARR 3/8-16 X 1.25 ZP
21	3400233	2	WASHER-FENDER 5/16 X 1.00 ZP
22	3400278	2	WASHER-FENDER 3/8 X 1.25 ZP
23	3400385	2	WASHER-CONICAL SPRING 3/8
24	12040044	2	NUT-NYLOC M6 X 1.0 ZP CLASS 6
25	12347027	2	WASHER-FLAT M6.6 X 22 X 2 ZP
26	3318752	1	RSRVR-COOLANT OVRFLW

ENGINE KUBOTA WG1605 GAS & LPG - MOUNTS-EXHAUST SIDE



ENGINE KUBOTA WG1605 GAS & LPG - MOUNTS-EXHAUST SIDE			
ITEM	PART NO.	REQ'D	DESCRIPTION
1	690030	2	SPACER, ENGINE MOUNT
2	690162	1	BRACKET, CAT CONV. SUPPORT
3	690163	1	BRACKET, CAT CONV. OUTER
4	690165	1	MOUNT - FOOT LEFT REAR
5	690166	1	MOUNT - FOOT LEFT FRONT
9	690175	4	ISOLATOR - ENGINE MOUNT

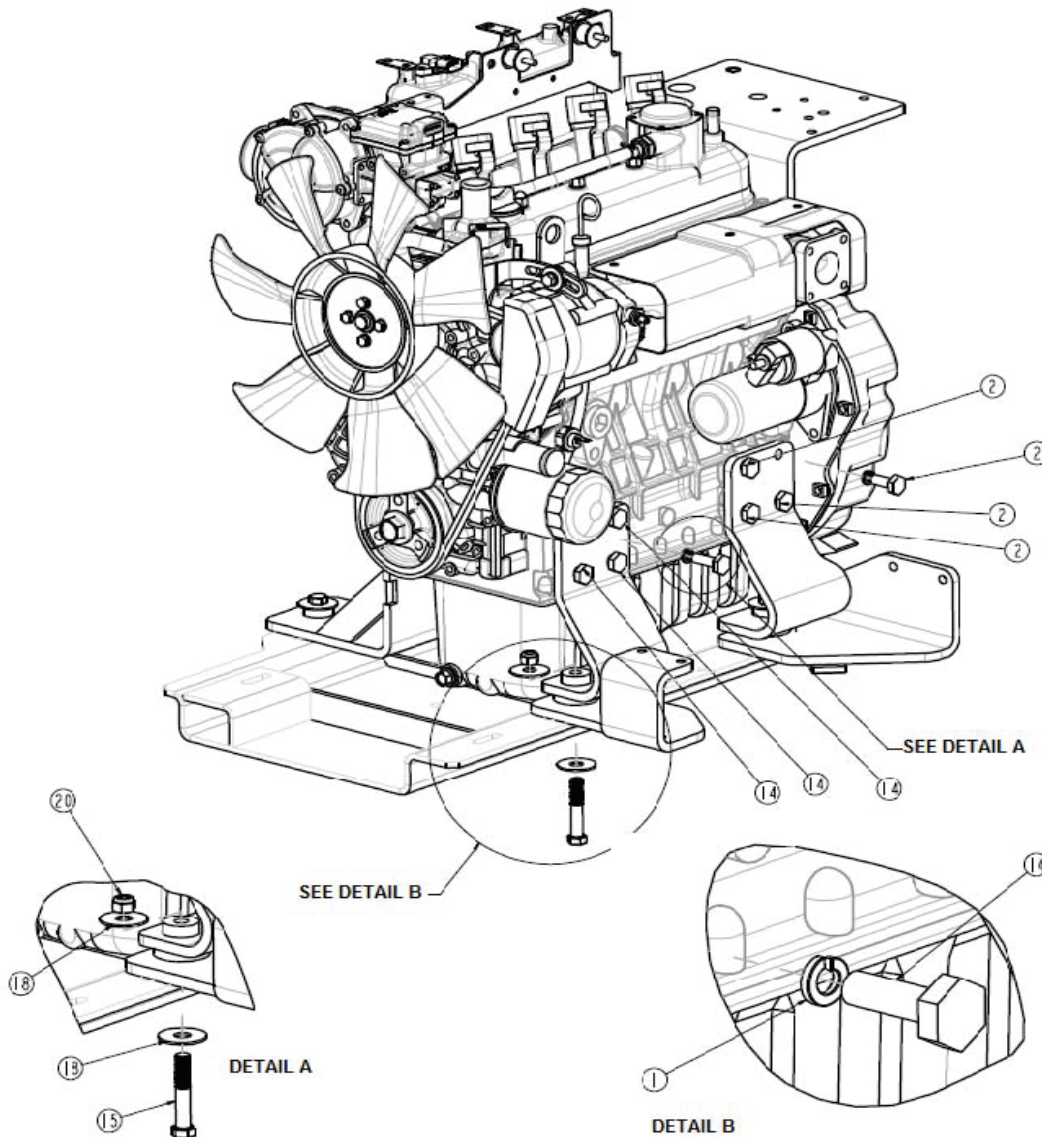
ENGINE KUBOTA WG1605 GAS & LPG - MOUNTS-INTAKE SIDE



ENGINE KUBOTA WG1605 GAS & LPG - MOUNTS-INTAKE SIDE

ITEM	PART NO.	REQ'D	DESCRIPTION
1	690030	2	SPACER, ENGINE MOUNT
2	690162	1	BRACKET, CAT CONV. SUPPORT
6	690167	1	MOUNT - FOOT RIGHT REAR
7	690168	1	MOUNT - FOOT RIGHT FRONT
9	690175	4	ISOLATOR, ENGINE MOUNT
11	690177	1	BRACKET-HOSE HOLDER - REAR
15	3333301P	1	BRACKET - HOSE RETAINER
16	3334994M	1	ENGINE PAN
17	690176	1	ENGINE - LPG
	690221	1	ENGINE - GAS

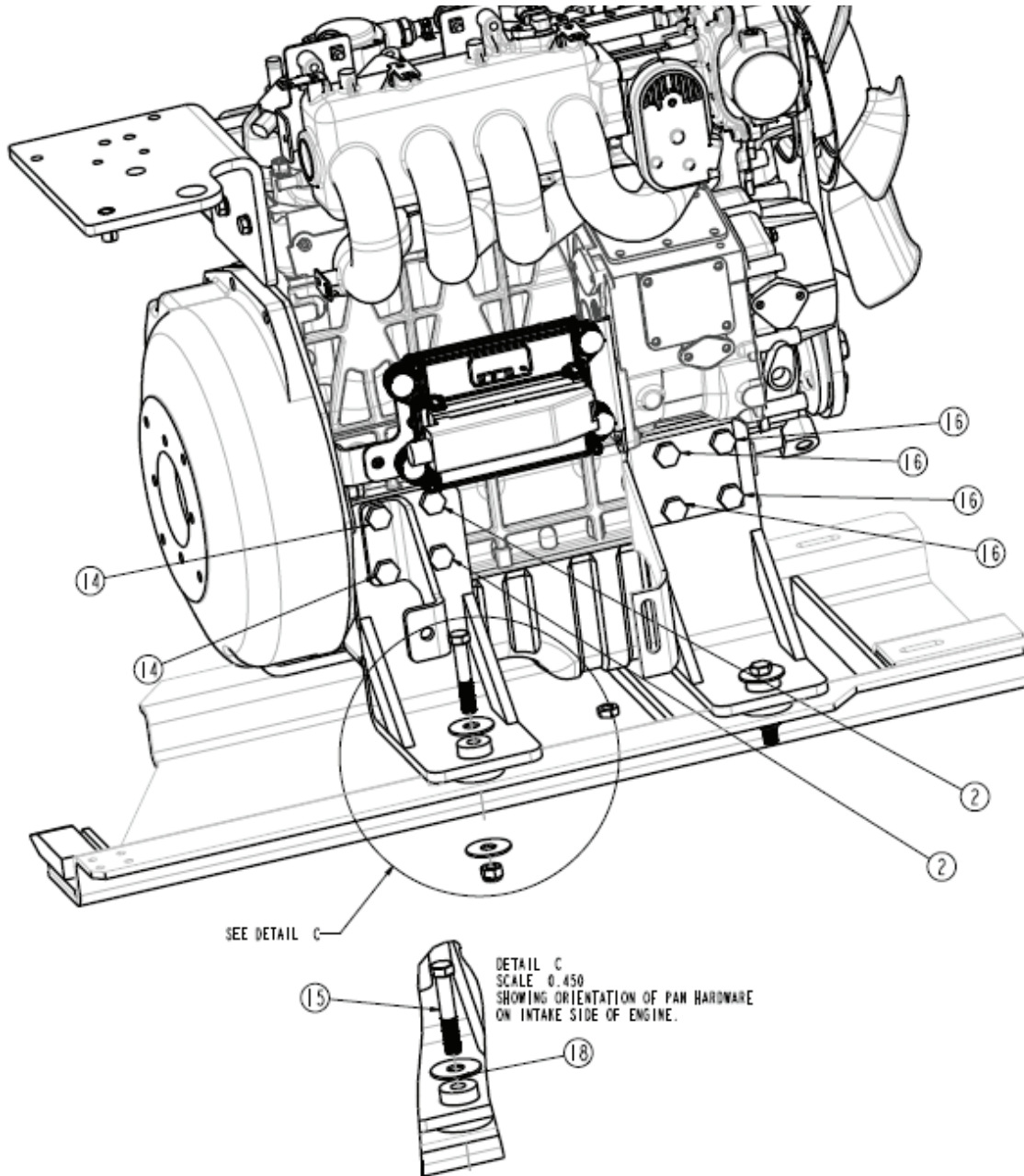
ENGINE KUBOTA WG1605 GAS & LPG - MOUNTING FASTENER DETAIL



ENGINE KUBOTA WG1605 GAS & LPG - MOUNTING FASTENER DETAIL

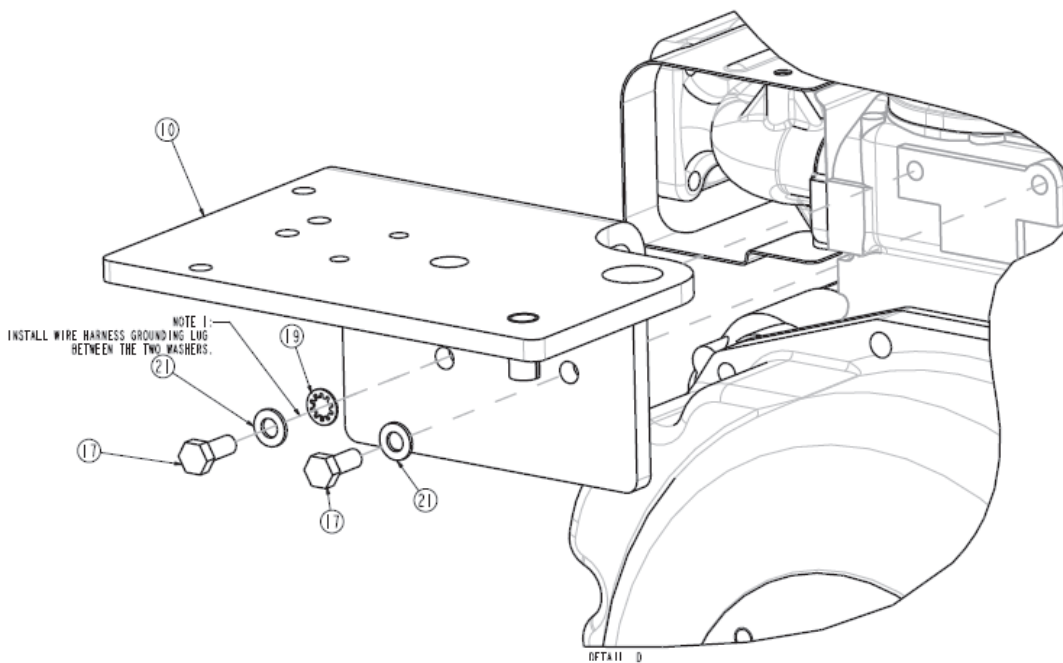
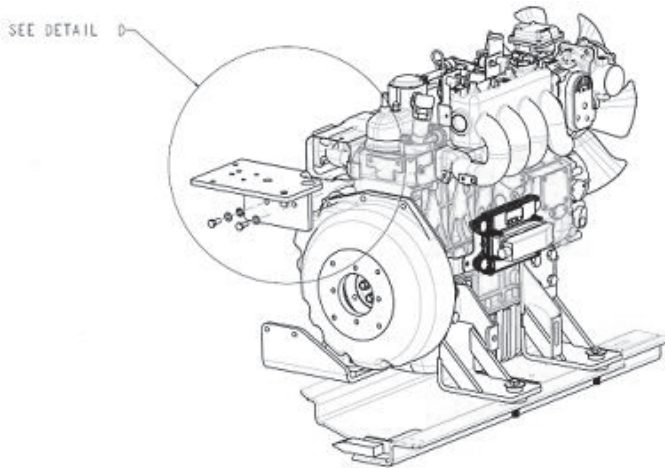
ITEM	PART NO.	REQ'D	DESCRIPTION
1	600945	16	LOCKWASHER M10
2	620082	6	BOLT M10 1.25 x .25 HH STL ZP (CLEAR)
14	713038	6	M10 - 1.25 x 30mm HHCS
15	713534	4	BOLT-HH 7/16 - 14 x 2.5 GRADE 5 ZINC
18	3400091	8	WASHER FENDER 1/2 ZP
20	3401429	4	NUT - 7/16 - 14 ES ZPBRACKET-HOSE RETAINER

ENGINE KUBOTA WG1605 GAS & LPG - MOUNTING FASTENER DETAIL



ENGINE KUBOTA WG1605 GAS & LPG - MOUNTING FASTENER DETAIL			
ITEM	PART NO.	REQ'D	DESCRIPTION
2	620082	6	BOLT M10 1.25 x .25 HH STL ZP (CLEAR)
14	713038	6	M10 - 1.25 x 30mm HHCS
15	713534	4	BOLT-HH 7/16 - 14 x 2.5 GRADE 5 ZINC
16	713535	4	HHCS M10 - 1.25 x 35mm GR 8.8 ZINC
18	3400091	8	WASHER FENDER 1/2 ZP
20	3401429	4	NUT - 7/16 - 14 ES ZPBRACKET-HOSE RETAINER

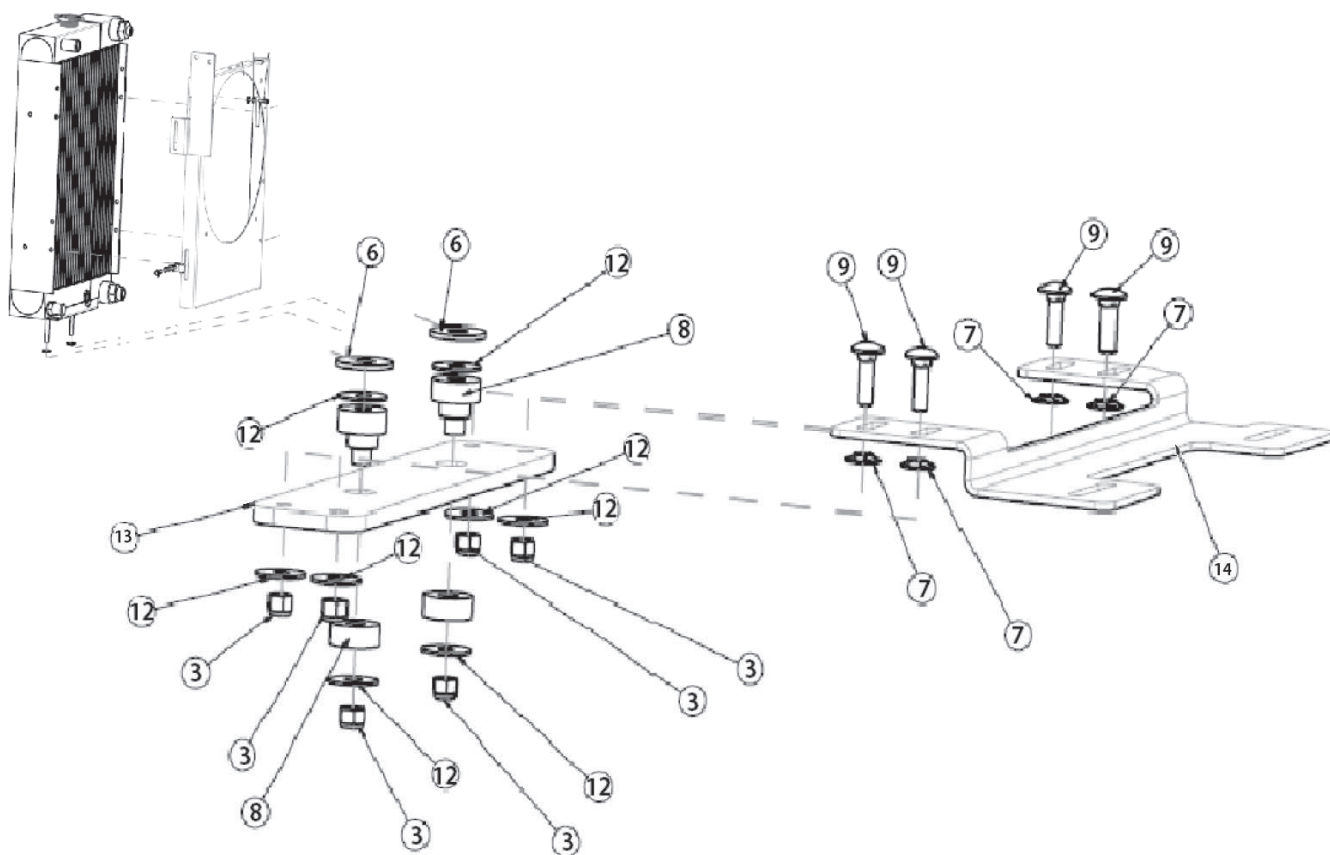
ENGINE KUBOTA WG1605 GAS & LPG - MOUNTING AIR CLEANER BRACKET



ENGINE KUBOTA WG1605 GAS & LPG - MOUNTING AIR CLEANER BRACKET

ITEM	PART NO.	REQ'D	DESCRIPTION
10	690173	4	BRKT, AIR CLEANER - 9X LP/GAS
17	717024	2	SCR-HH M8-1.25 X 20 ZP GRADE 8.8
19	3400273	1	WASHER-INT LOCK 5/16 ZP
21	12310041	2	WASHER-FLAT M8.4 X 16 X 1.6 ZP

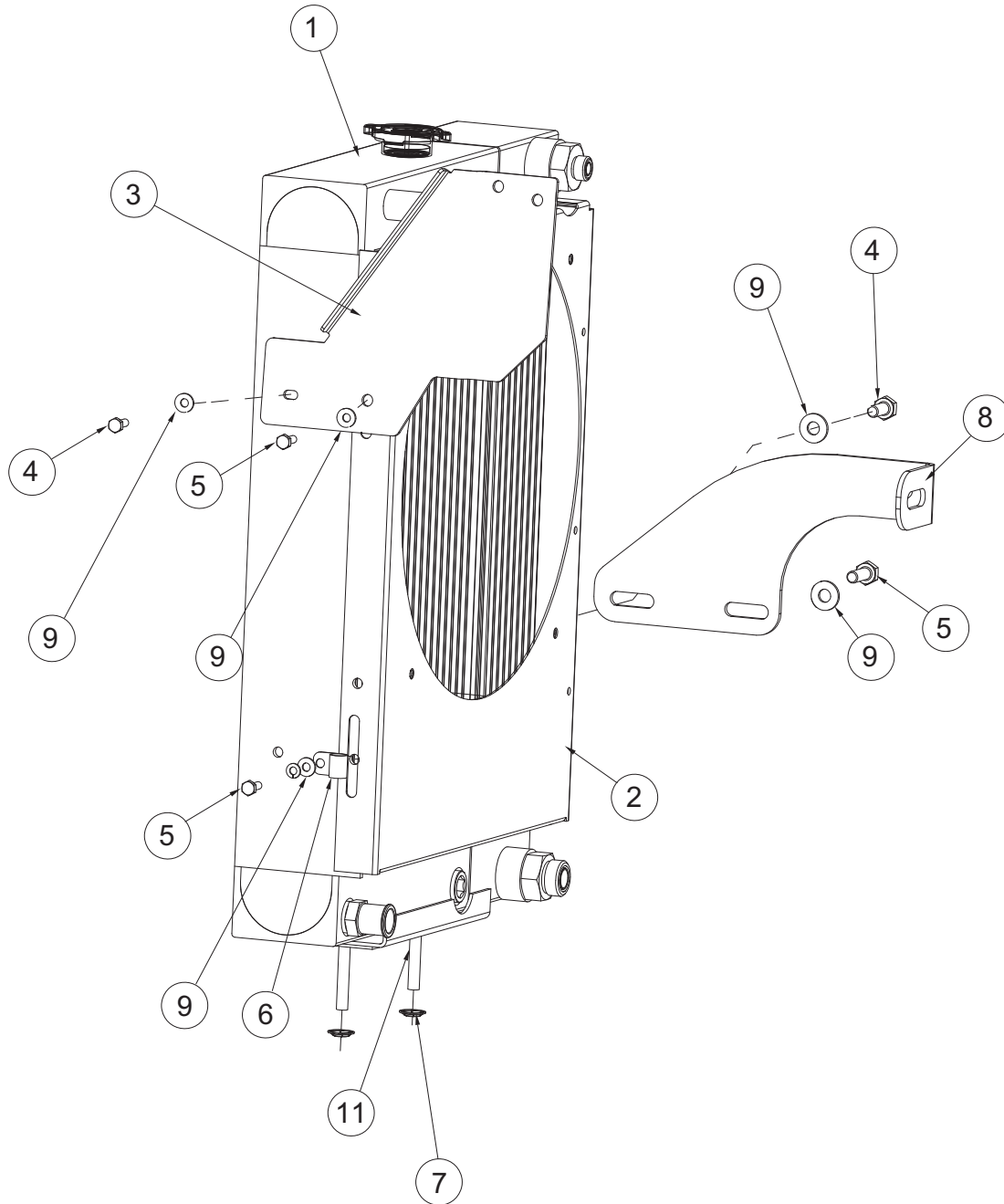
ENGINE KUBOTA WG1605 GAS & LPG - RADIATOR MOUNTS



ENGINE KUBOTA WG1605 GAS & LPG - RADIATOR MOUNTS

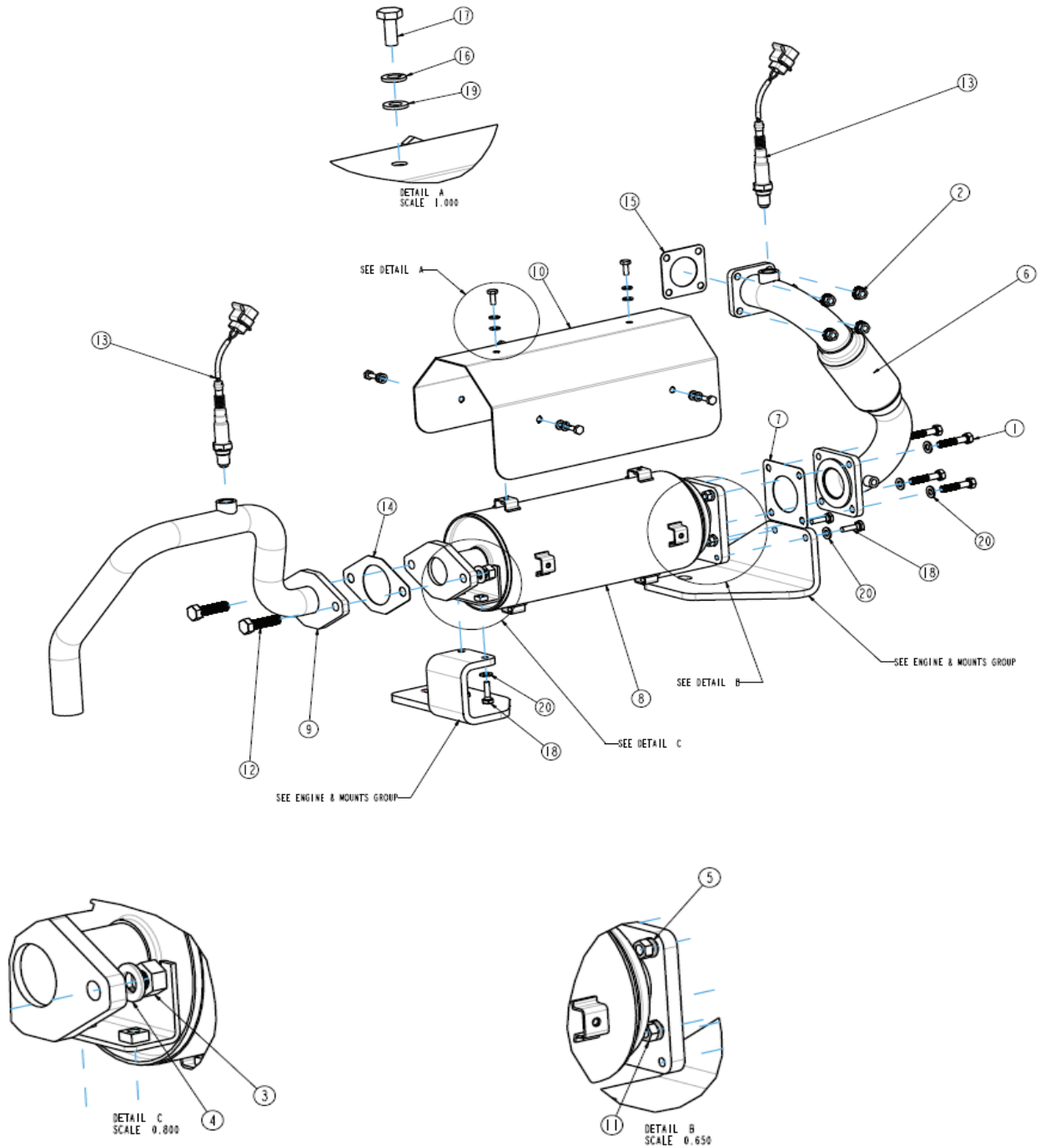
ITEM	PART NO.	REQ'D	DESCRIPTION
3	711380	6	NUT-NYLOC 3/8-16 ZP
6	730528	2	WASHER-FENDER M12 X 37 SS
7	3316981	4	NUT-PUSH RETAINER 3/8 BOLT, 25/32 OD ZP
8	3344110	2	ISOLATOR-BONDED BUSHING BOTT RAD
9	3400007	4	BLT-CARR 3/8-16 X 1.25 ZP
12	3400278	8	WASHER-FENDER 3/8 X 1.25 ZP
13	3336634	1	PLATE- RADIATOR MNT
14	690124	1	PLATE BASE - RADIATOR MNT

ENGINE KUBOTA WG1605 GAS & LPG - RADIATOR



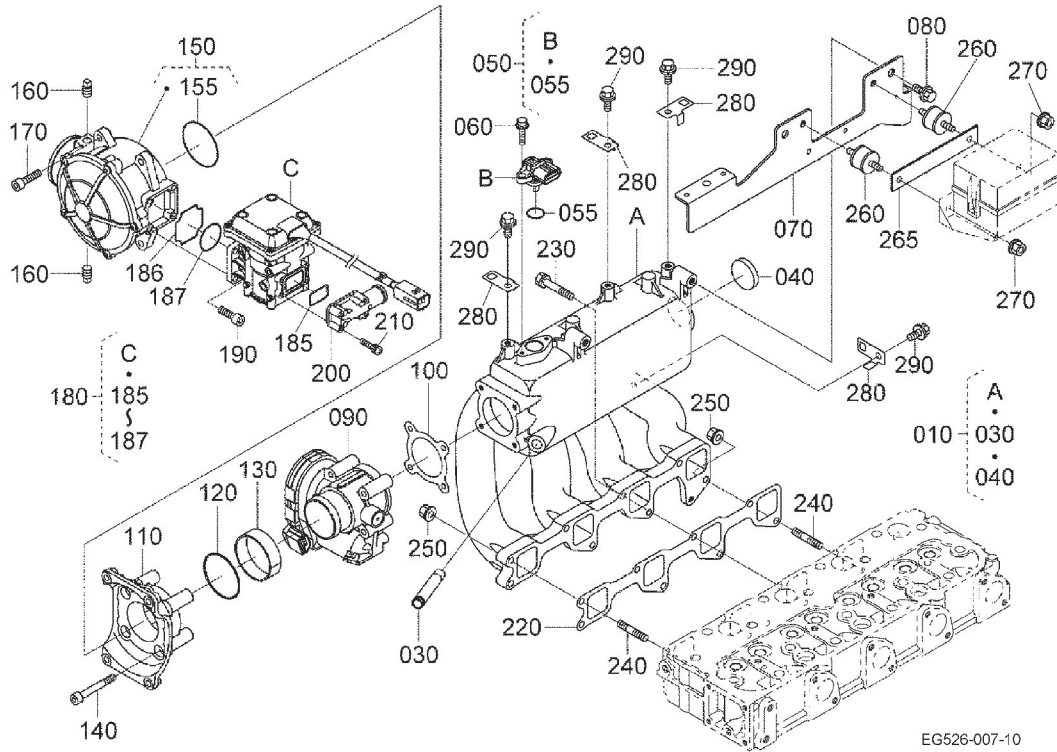
ENGINE KUBOTA WG1605 GAS & LPG - RADIATOR			
ITEM	PART NO.	REQ'D	DESCRIPTION
1	690125	1	RADIATOR-OIL COOLER, LP/GAS/DSL
2	690150	1	ASSY, FAN SHROUD, DSL/LP/GAS
3	690824	1	MOUNT, COOLANT OVERFLOW - 9X/10X LP/GAS
4	713001	3	SCR-HH 1/4-20 X .62 GR 5 ZP
5	713002	3	SCR-HH 1/4-20 X .75 ZP 5
6	713527	1	CLAMP - WIRE & TUBE .500 DIA STEEL
7	3316981	2	NUT-PUSH RETAINER 3/8 BOLT, 25/32 OD ZP
8	3336629	1	PLATE- RADIATOR MNT, LH
9	3400383	5	WASHER-CONICAL SPRING 1/4
11	711254-1	2	BLT-CARR 3/8-16 X 2.50 ZP GR 5

ENGINE KUBOTA WG1605 GAS & LPG - EXHAUST DETAIL



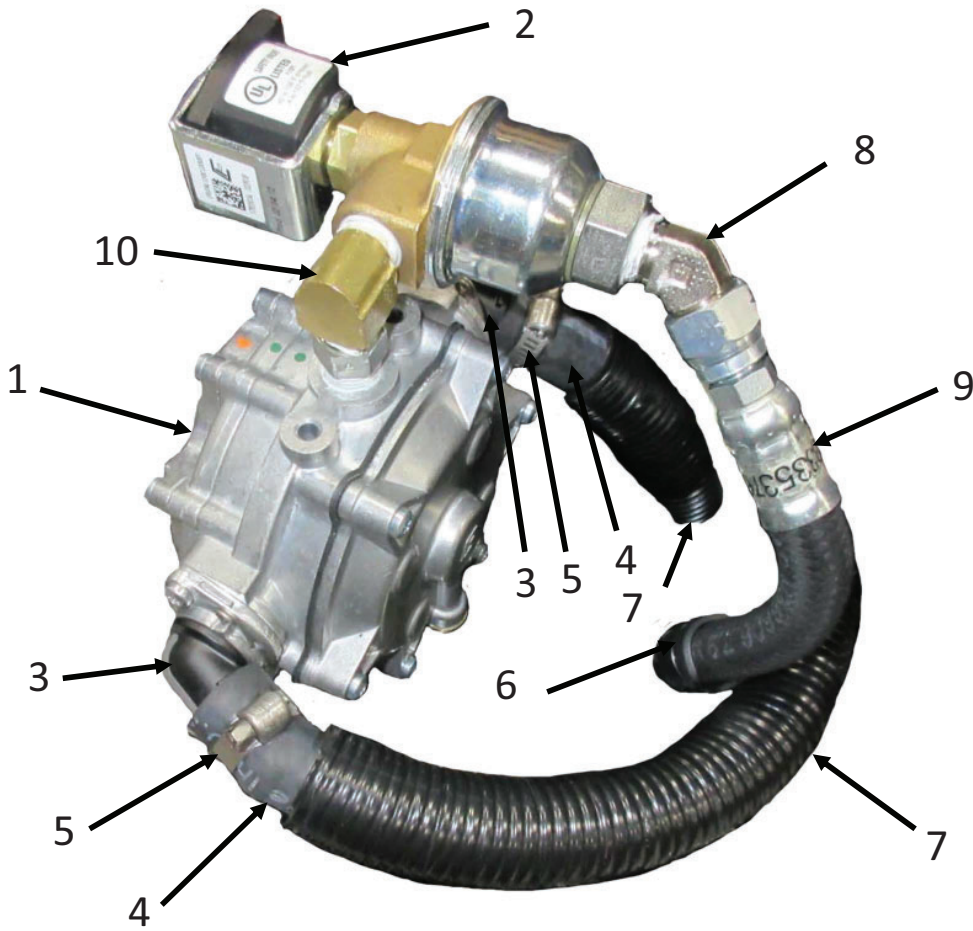
ENGINE KUBOTA WG1605 GAS & LPG - EXHAUST DETAIL			
ITEM	PART NO.	REQ'D	DESCRIPTION
1	600919	4	SCR-HH M8-1.25 X 40 ZP CLASS 8.8
2	600934	4	NUT-FLANGE WIZZ M8-1.25 ZP
3	600947	2	WASHER-WAVE .313 ID x .69 OD x .031 THIC
4	600950	2	WASHER-FLAT M12 ZP
5	600959	4	WASHER-LOCK M8 ZINC SPLIT
6	690189	1	PIPE, EXHAUST, PRE-CAT - 9XLP/GAS
7	690190	1	GASKET, CATALYST, 4 BOLT - 9X LP/GAS
8	690191	1	CATALYTIC CONVERTER, 9X LP-GAS
9	690192	1	PIPE, EXHAUST, POST CAT - 9X LP/GAS
10	690193	1	HEAT SHIELD, CAT. CONVERTER - 9XLP/GAS
11	717013	4	NUT-HEX M8 X 1.25 ZINC
12	730667	2	SCR-HH M12-1.75 X 45 ZP CLASS 8.8
13	748476	2	SENSOR, OXYGEN - 9X LP/GAS
14	3345028	1	GASKET-CAT 1605 INLET
15	3345082	1	GASKET, FLANGE, EX MANIFOLD, KUBOTA 1605
16	711544	6	WASHER-LOCK 1/4 SPLIT ZP
17	11038072	6	SCR-HH M6-1.0 X 16 ZP CLASS 8.8
18	11038247	4	SCR-HH M8-1.25 X 25 ZP CLASS 8.8
19	12310033	6	WASHER-FLAT M6.4 X 12 X 1.6 ZP
20	12310041	8	WASHER-FLAT M8.4 X 16 X 1.6 ZP

ENGINE KUBOTA WG1605 LPG - INLET MANIFOLD

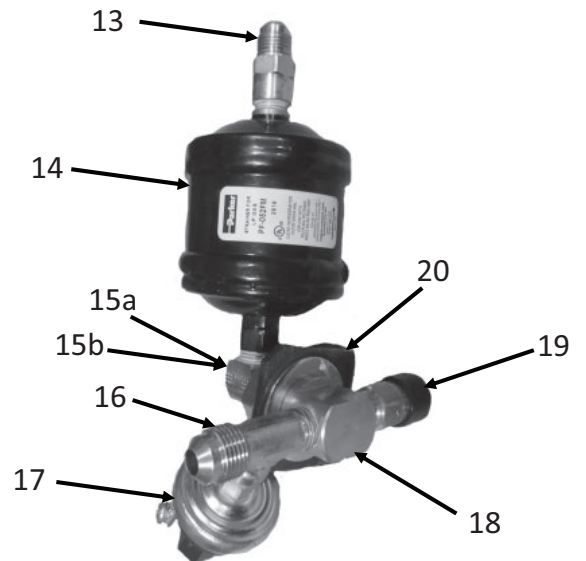


ENGINE KUBOTA WG1605 LPG - INLET MANIFOLD			
ITEM	PART NO.	REQ'D	DESCRIPTION
10	3344873	1	COMP. INLET MANIFOLD
30	3345281	1	BREATHER TUBE JOINT
40	3331604	1	CUP TYPE PLUG
50	3344874	1	TMAP SENSOR
55	3345282	1	O RING
60	3345283	2	FLANGE BOLT
70	3345284	1	BRACKET
80	3345285	2	FLANGE BOLT
90	3344875	1	COMP. THROTTLE BODY
100	3344876	1	THROTTLE GASKET
110	3345286	1	ADAPTER
120	3345287	1	O RING
130	3345288	1	SPACER
140	3345289	4	HEX-SOC-HD BOLT
150	3344877	1	ASSY - MIXER
155	3345290	1	MIXER SEALING RUBBER
160	3345291	2	PLUG
170	3345292	4	SOCKET HEAD BOLT
180	3344878	1	ASSY - (DEPR) REGULATOR
185	3345293	1	D-EPR, 1, SEALING RUBBER
186	3345294	1	D-EPR, 2, SEALING RUBBER
187	3345295	1	D-EPR, 3, SEALING RUBBER
190	3345296	4	SOCKET HEAD BOLT
200	3345297	1	INLET FLANGE
210	3345298	4	PAN HEAD SEMS SCREW
220	3344879	1	INLET GASKET
230	3345299	6	SEMS BOLT
240	3345300	2	STUD BOLT
250	3338381	2	FLANGE NUT
260	3345301	2	RUBBER
265	3345302	1	FUSE BOX PLATE
270	3338381	2	FLANGE NUT
280	3345303	4	HARNESS 1 BRACKET
290	3345194	4	FLANGE BOLT

VAPORIZER TO LPG TANK CONNECTIONS



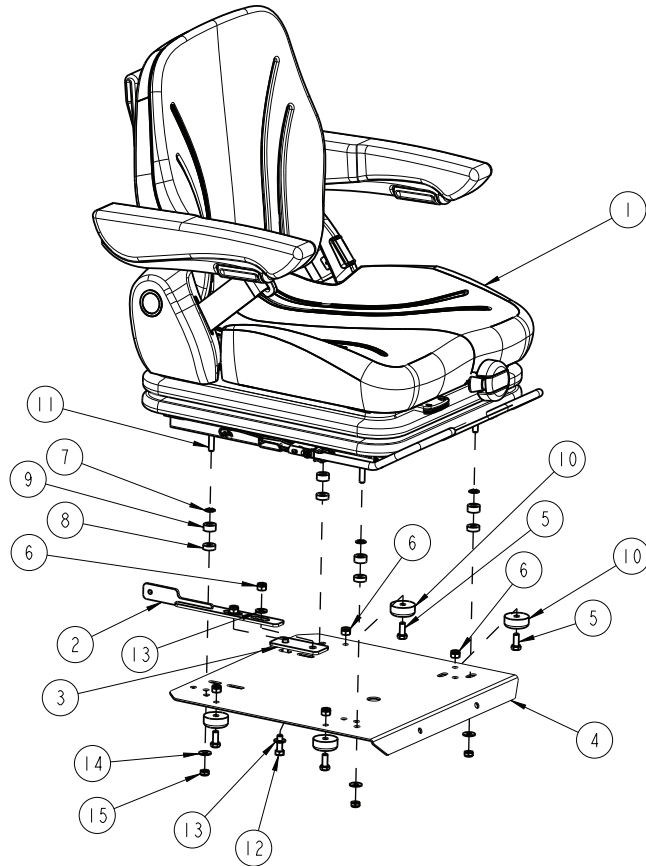
LPG STRAINER ASSEMBLY



VAPORIZER TO LPG TANK CONNECTIONS			
ITEM	PART NO.	REQ'D	DESCRIPTION
1	3344890	1	REGULATOR ASSY, KUBOTA 1605(VAPORIZR)
2	3344892	1	VALVE LOCKOFF
3	603012	2	CONNECTOR, LP REGULATOR
4	620653	48 in	HOSE, COOLANT, 5/8 IN ID, RAW
5	690274	2	HOSE CLAMP (BK-5051212) NAPA
6	730690	1	4" HOSE PROTECTOR
7	210466	48 in	CONDUIT- SPLIT .875 ID
8	600908	1	FTG-ELBOW 45 FLARE 3/8 TUBE X 1/4 NPT BR
9	3335376	2	HOSE - 5/16 LP 90.0 SAE 45 ST#6 ST#6
10	831306	1	FTG-ELBOW 90 ST 1/4 FPT X 1/4 FPT BRASS
13	690295	1	1/4 BRASS NIPPLE
14	3336584	1	FILTER-LPG FUEL, NISSAN CG13
15a	3401682	1	FTG-NIPPLE 1/4 MPT X 7/8 LG BRASS
15b	831306	1	FTG-ELBOW 90 ST 1/4 FPT X 1/4 FPT BRASS
16	3305535-2	1	TEE, LOW LP INDICATOR
17	3305535-3	1	SENSOR, LOW LP INDICATOR
18	3316511	1	FITTING, BULKHEAD ASSEMBLY
19	3400862	1	VALVE-LP RELIEF
20	3307934	1	MNT-LPG SAFETY VALVE PNTD
PARTS BELOW NOT SHOWN			
**	690310	24 in	VAPOR HOSE .75
**	3335376	1	HOSE - 5/16 LP 90.0 SAE 45 ST#6 ST#6 (TO LPG TANK)
**	3334037	1	FTG-MALE ELBOW 49 X 6 (TO LPG TANK)
**	3400860	1	FTG-LP TANK CONNECT (TO LPG TANK)

OPTIONS AND STANDARD CE FEATURES

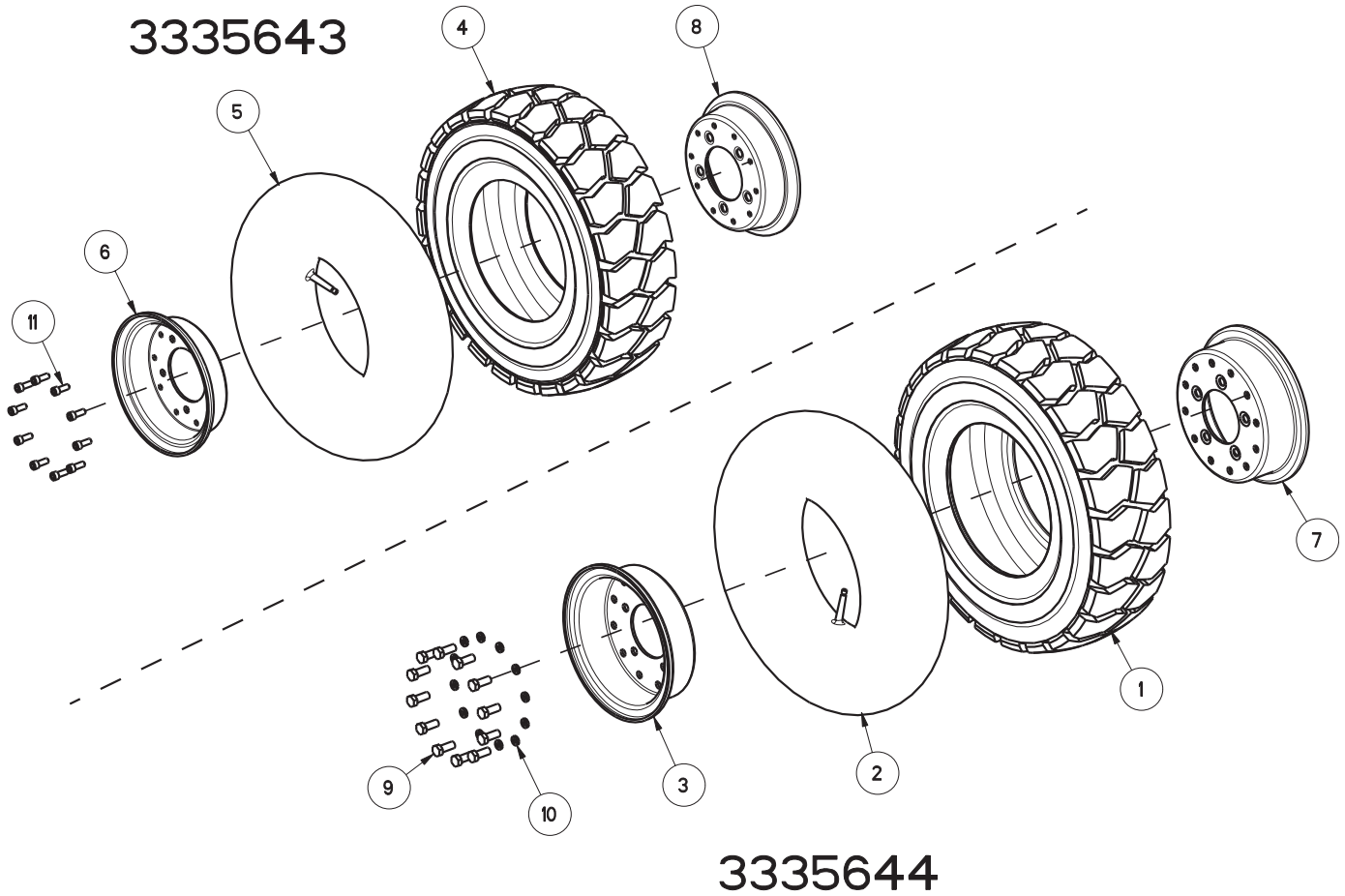
OPT - SUSPENSION SEAT (600005-9X)



OPT - SUSPENSION SEAT (600005-9X)

ITEM	PART NO.	REQ'D	DESCRIPTION
1	623001	1	SEAT, SUSPENSION W/SEAT BELT
2	690762	1	WELDMNT, SEAT LATCH ARM, 9X
3	690767	1	BAR, SPACER, SEAT LATCH, 9X
4	690830	1	MNT-SEAT AM9D/9X
5	711228	4	SCR-HH 5/16-18 X .75 ZP GR 5
6	711374	6	NUT-NYLOC 5/16-18 ZP
7	711744	4	NUT-PUSH RETAINER 5/16 ZP
8	730374	4	SPACER 0.344 ID .75 OD .25T
9	3301085	4	SPACER-FRONT BUMPER PLTD
10	3302482	4	BUMPER-RUBBER, 1.5" DIA, 5/8 THK
11	3400034	4	SCR-HH 5/16-18 X 1.25 ZP GR 5
12	3400035	2	SCR-HH 5/16-18 X 1.00 ZP GR 5
13	711506	4	WASHER-FLAT 5/16 X.688 X .065 ZP
14	3400384	4	WASHER-CONICAL SPRING 5/16
15	3401098	4	NUT-JAM 5/16-18 ZP NYLOC

OPT - TIRES PNEUMATIC WITH WELDED NUTS (660075)



OPT - TIRES PNEUMATIC WITH WELDED NUTS (660075)

ITEM	PART NO.	REQ'D	DESCRIPTION
1	3307252	1	TIRE-PNEUMATIC 650x10(W/TUBE)
2	3307253	1	TUBE-TIRE INNER, 650x10
3	3307254	1	RIM-FRONT INNER SW/A PNTD
4	3307256	1	TIRE-PNEUMATIC 6.00 X 9
5	3307257	1	TUBE-TIRE 600 X 9
6	3307258	1	RIM-REAR INNER SW/A
7	3335719	1	RIM-FRONT OUTER, 12 WELDED NUTS
8	3335720	1	RIM-DRIVE OUTER, 10 WELDED NUTS
9	3400022	12	SCR-HEX, 1/2-13X1.25 GR 5 ZP
10	3400098	12	WASHER-LOCK 1/2 SPLIT ZP
11	3401607	10	SCR-SOC, 3/8-16 X 1.0, ZP

OPT - TIRE OPTIONS

THREE NON-MARKING TIRES (3317262)		
PART NO.	REQ'D	DESCRIPTION
3307069	1	ASSY-TIRE REAR NON-MARKING SUB
3317264	2	ASSY-TIRE FRONT N-MARKING SUB

THREE SOFT SHOE TIRES (3317335)		
PART NO.	REQ'D	DESCRIPTION
3307070	1	ASSY-TIRE REAR SOFT SHOE SUB
3307071	2	ASSY-TIRE FRONT SOFT SHOE SUB

TWO SOFT SHOE TIRES AND ONE PNEUMATIC (3319645)		
PART NO.	REQ'D	DESCRIPTION
3307021	1	ASSY-TIRE REAR PNEUMAT 9X/10X
3307071	2	ASSY-TIRE FRONT SOFT SHOE SUB

OPT - HEAVY DUTY TIE DOWN (690782)

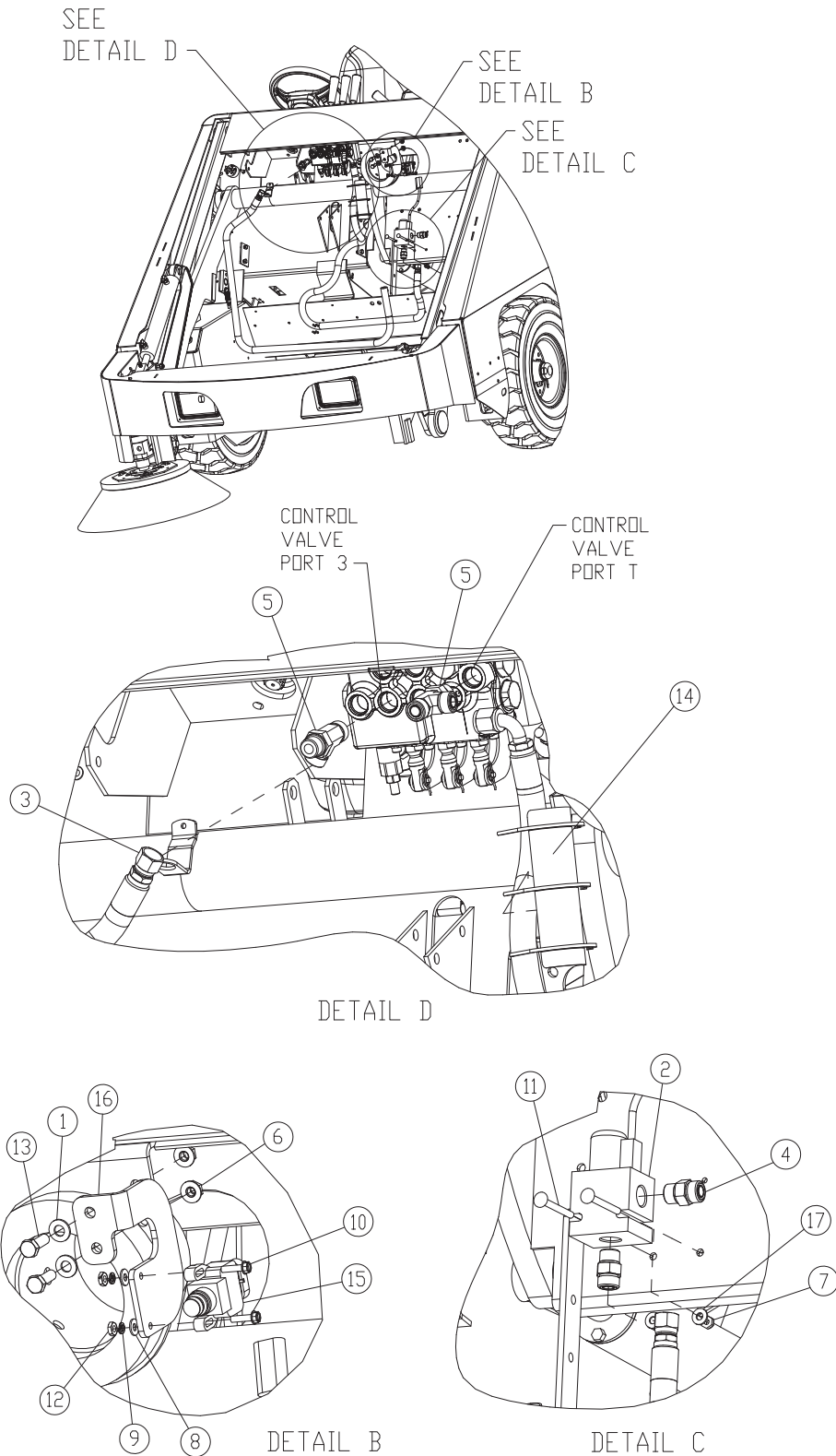
OPT - HEAVY DUTY TIE DOWN (690782)			
ITEM	PART NO.	REQ'D	DESCRIPTION
1	690778	4	LIFT RING, SIDE-PULL, 2500LB, 5/8-11
2	690783	4	WASHER-5/8 OVERSIZED 1.75" OD, ZP
3	3400005	4	NUT-HEX 5/8-11 UNC GR 5 PLAIN

OPT- EXHAUST PIPE WRAP, DSL - 9X (690487)
CE MODELS STANDARD FEATURE

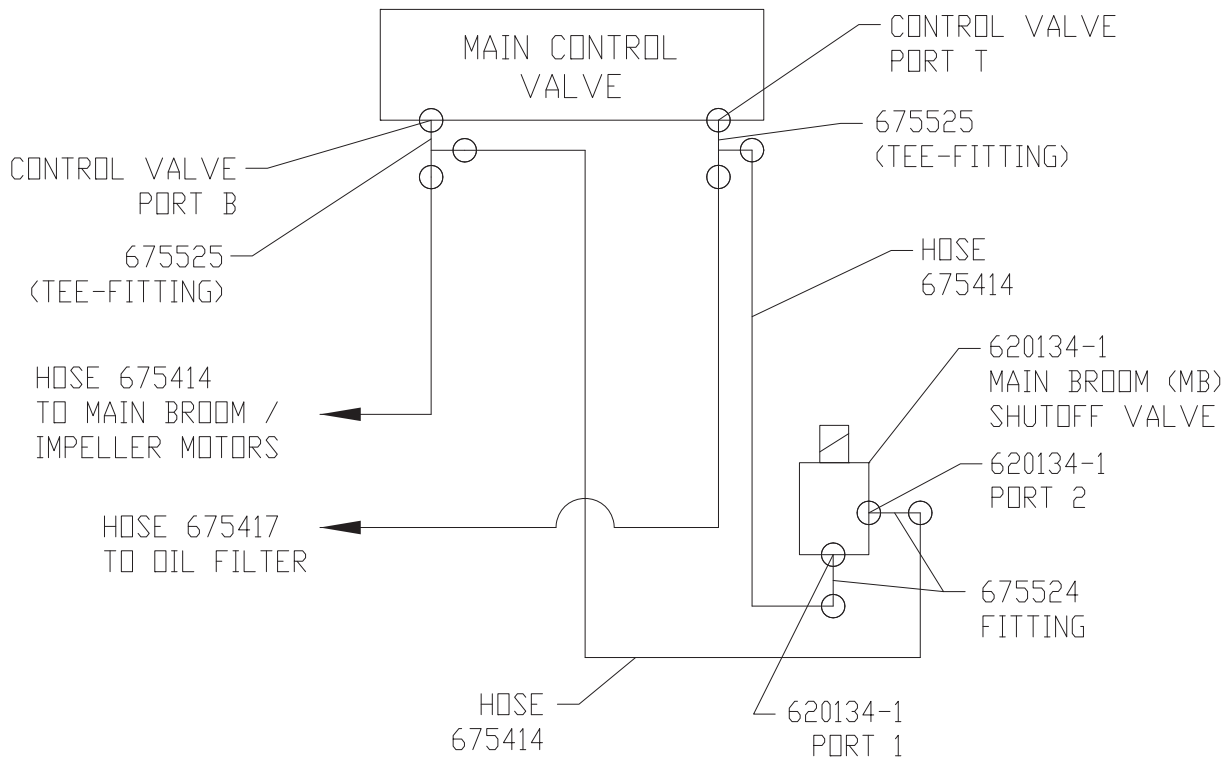
OPT - HEAVY DUTY TIE DOWN (690782)			
ITEM	PART NO.	REQ'D	DESCRIPTION
1	3312281	10FT	EXHAUST WRAP, MANIFOLD TUBE
2	3303255	2	CLAMP - SCREW 1" to 2" DIA 301SS

OPT - RAISE HOPPER, MAIN BROOM SHUT OFF (690100)
CE MODELS STANDARD FEATURE

(CONTINUED NEXT PAGE)

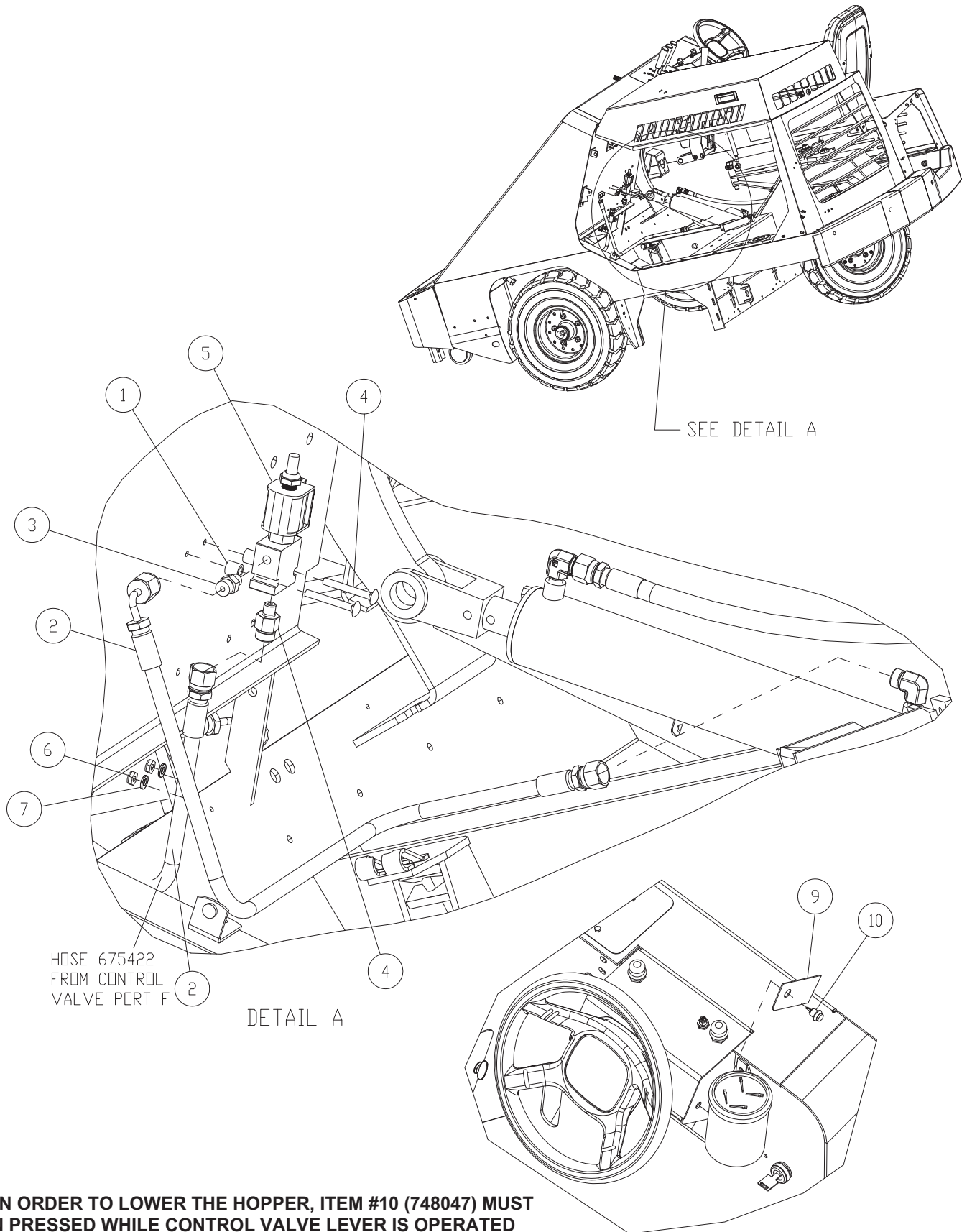


OPT - RAISE HOPPER, MAIN BROOM SHUT OFF (690100)			
ITEM	PART NO.	REQ'D	DESCRIPTION
1	600941	2	WASHER .344 ID x .688 OD x.065 THICK STE
2	620134-1	1	ASSY VALVE, SOLENOID N/C
3	675414	2	HYD HOSE - CONT VALVE TO IMP MOTOR
4	675524	2	FTG-STR THD CONNECTOR -8 ORFS TO -8 SA
5	675525	2	FTG-STR THD RUN TEE -8 ORFS TO -8 SAE
6	711379	2	NUT-FLANGED WIZZ 5/16-18
7	711387	2	NUT-NYLOC 1/4-20 1/2NUT
8	711503	2	WSR-FLT #10 (SPECIAL FLAT WASHER)
9	711543	2	WSR-HELICAL #10
10	712550	2	SCR-IHWH SLOT 10-32X.75 18-8 SS
11	712573	2	BLT-CARR 1/4-20 X 2.50 SS
12	712636	2	NUT-HEX 10-32 SS
13	713027	2	BLT-HH 5/16-18 X 1 #5 ZP
14	730690	1	4" HOSE PROTECTOR (10 PK)
15	3335945	1	SWITCH-COBO W/ AMP CONNECTOR
16	3337340	1	PLT - HOPPER POSITION SWITCH MOUNT
17	711505	2	WASHER-FLAT 1/4 STANDARD ZP



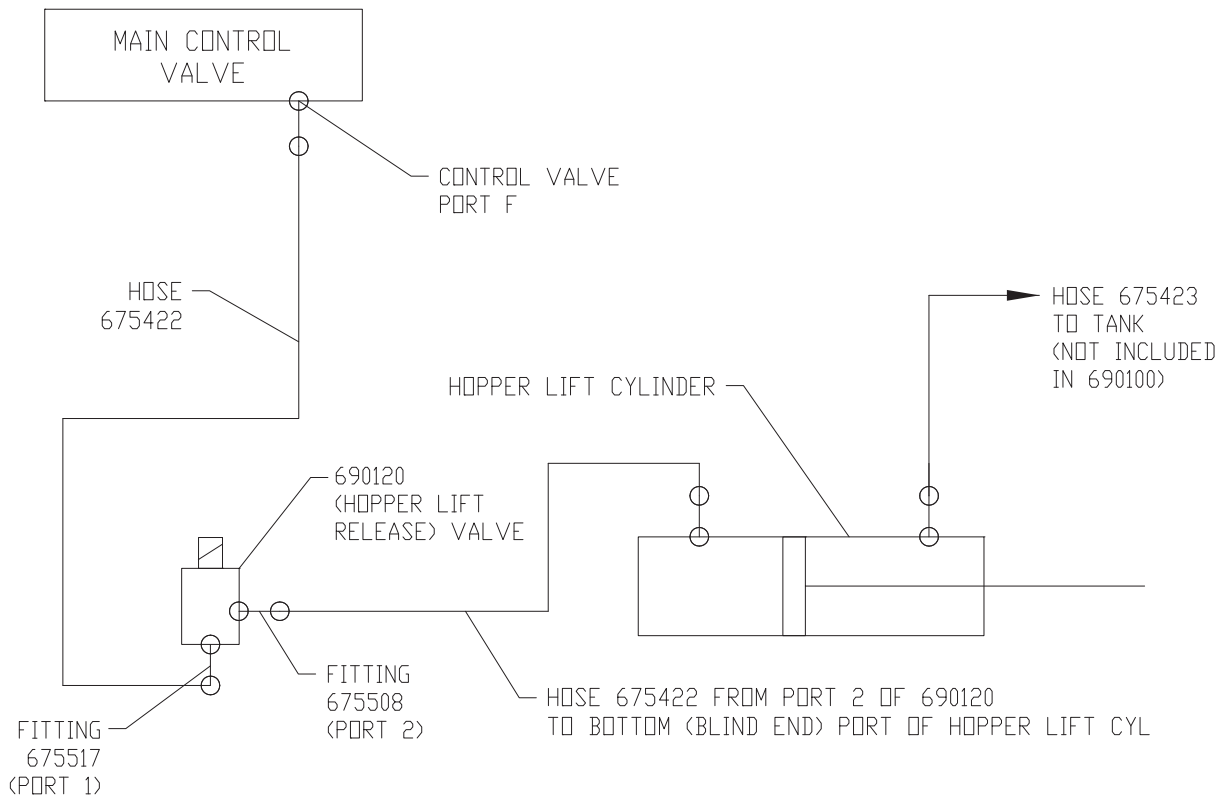
MAIN BROOM SHUTOFF
HYDRAULIC CIRCUIT (ISOLATED)

OPT - RAISE HOPPER, MAIN BROOM SHUT OFF (690100) - CONTINUED



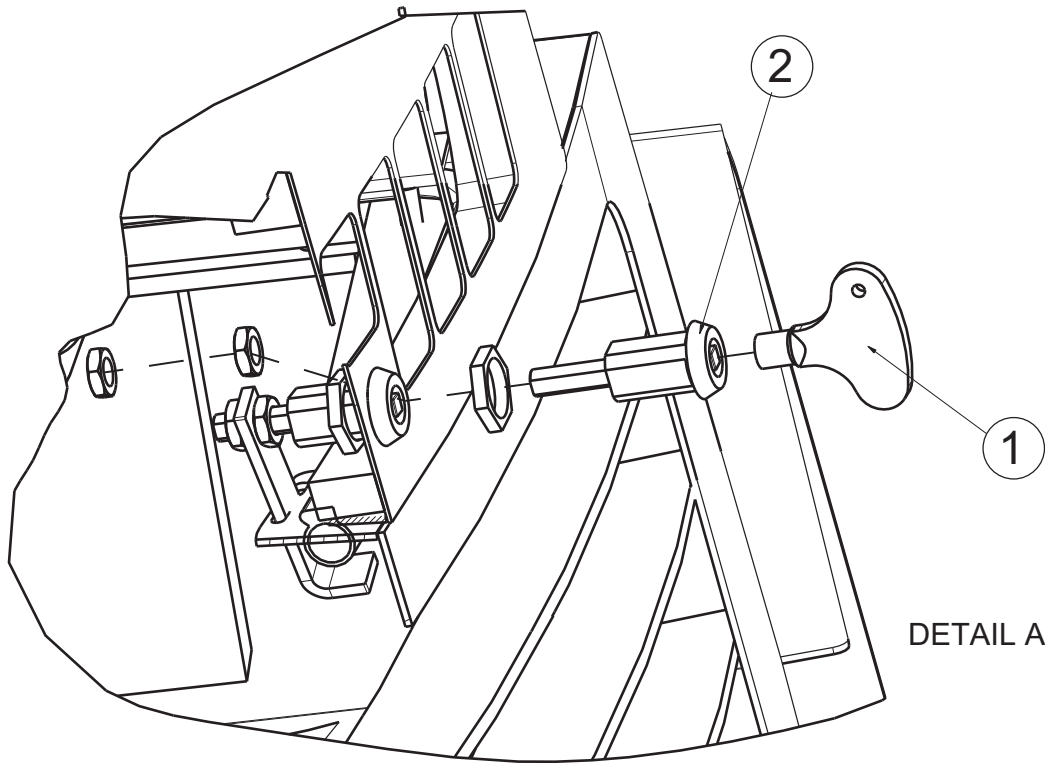
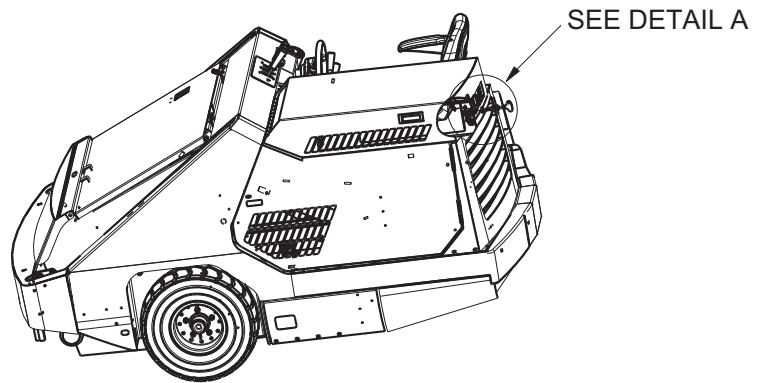
NOTE: IN ORDER TO LOWER THE HOPPER, ITEM #10 (748047) MUST REMAIN PRESSED WHILE CONTROL VALVE LEVER IS OPERATED

OPT - RAISE HOPPER, MAIN BROOM SHUT OFF (690100)			
ITEM	PART NO.	REQ'D	DESCRIPTION
1	600114	2	SPACER, .328 B .498 OD .500 ,SS
2	675422	2	HYD HOSE - LIFT CYL TO CONT VALVE E
3	675515	1	FTG-ORFS STR THD -6 -6 SAE
4	675511	1	FTG-ORFS STR THD -4 -6 SAE
5	690120	1	ASSY, HOPPER RETURN VALVE, 9X CE
6	711387	2	NUT-NYLOC 1/4-20 1/2NUT
7	711566	2	WSR-FLT .259 X .50 X .065
8	712572	2	BLT-CARR 1/4-20 X 2.00 SS
9	690151	1	DECAL, HOPPER UNLOCK - 9X CE
10	748047	1	SECONDHAND OPERATION PUSH BUTTON



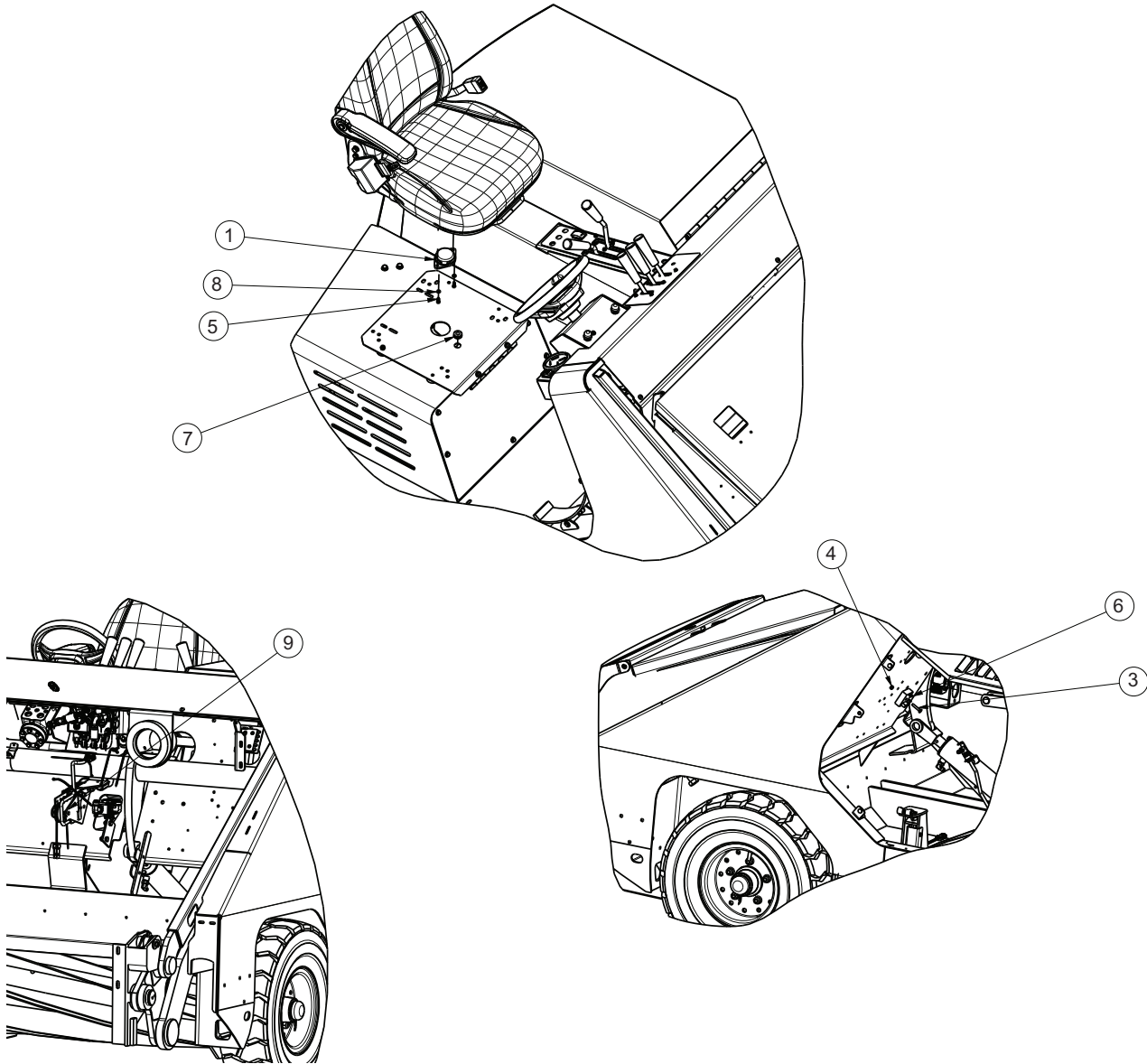
HOPPER LIFT CYL RELEASE
HYDRAULIC CIRCUIT (ISOLATED)

OPT - CE KEY LATCH 9X (690102)
CE MODELS STANDARD FEATURE



OPT - CE KEY LATCH 9X (690102)			
ITEM	PART NO.	REQ'D	DESCRIPTION
1	3343016	1	KEY-LATCH 7MM SQUIRE
2	3343017	1	LATCH-VISE ACTION LARGE, KEYED

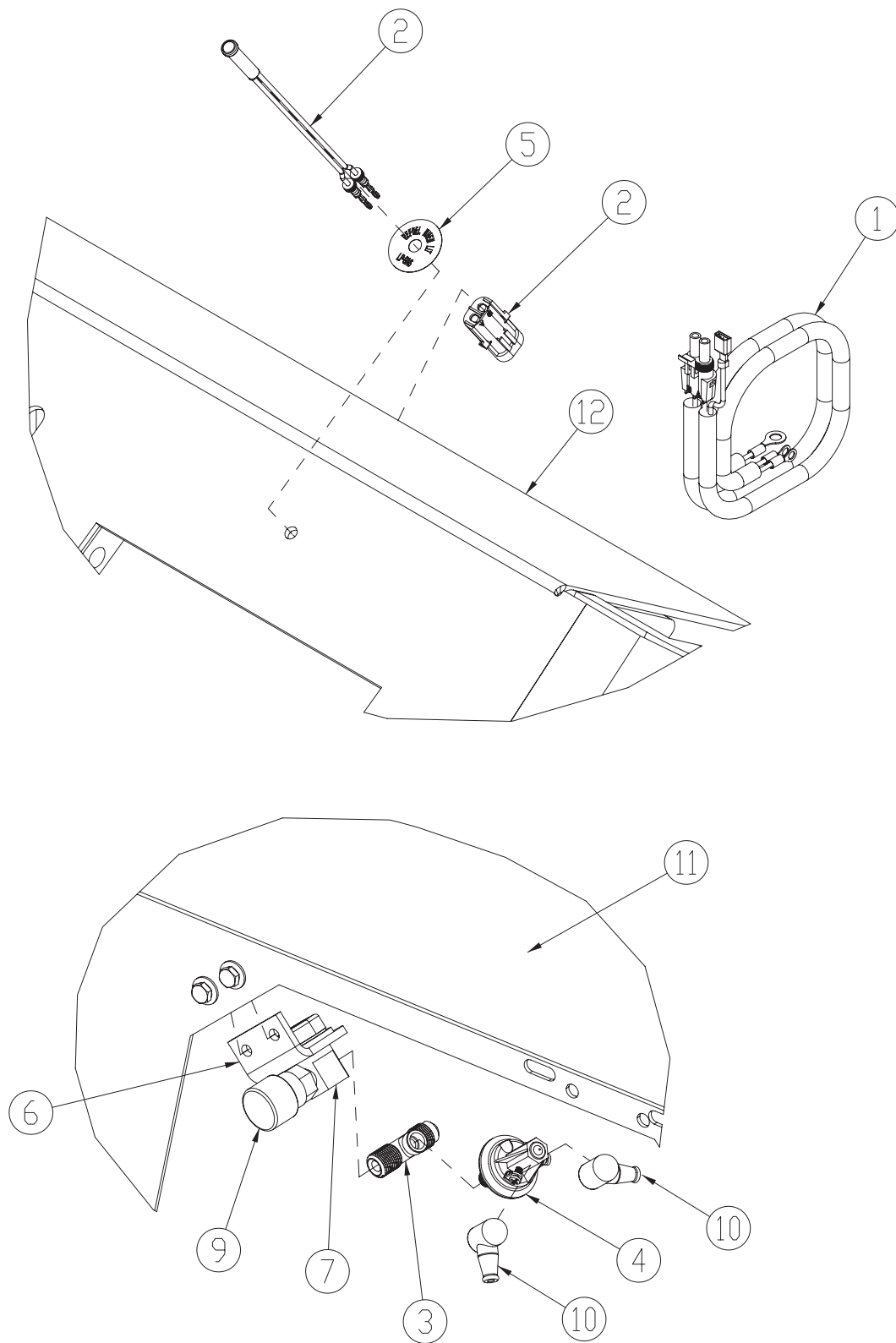
**OPT - SEAT SWITCH ENGINE SHUT OFF (690147)
CE MODELS STANDARD FEATURE**



OPT - SEAT SWITCH ENGINE SHUT OFF (690147)

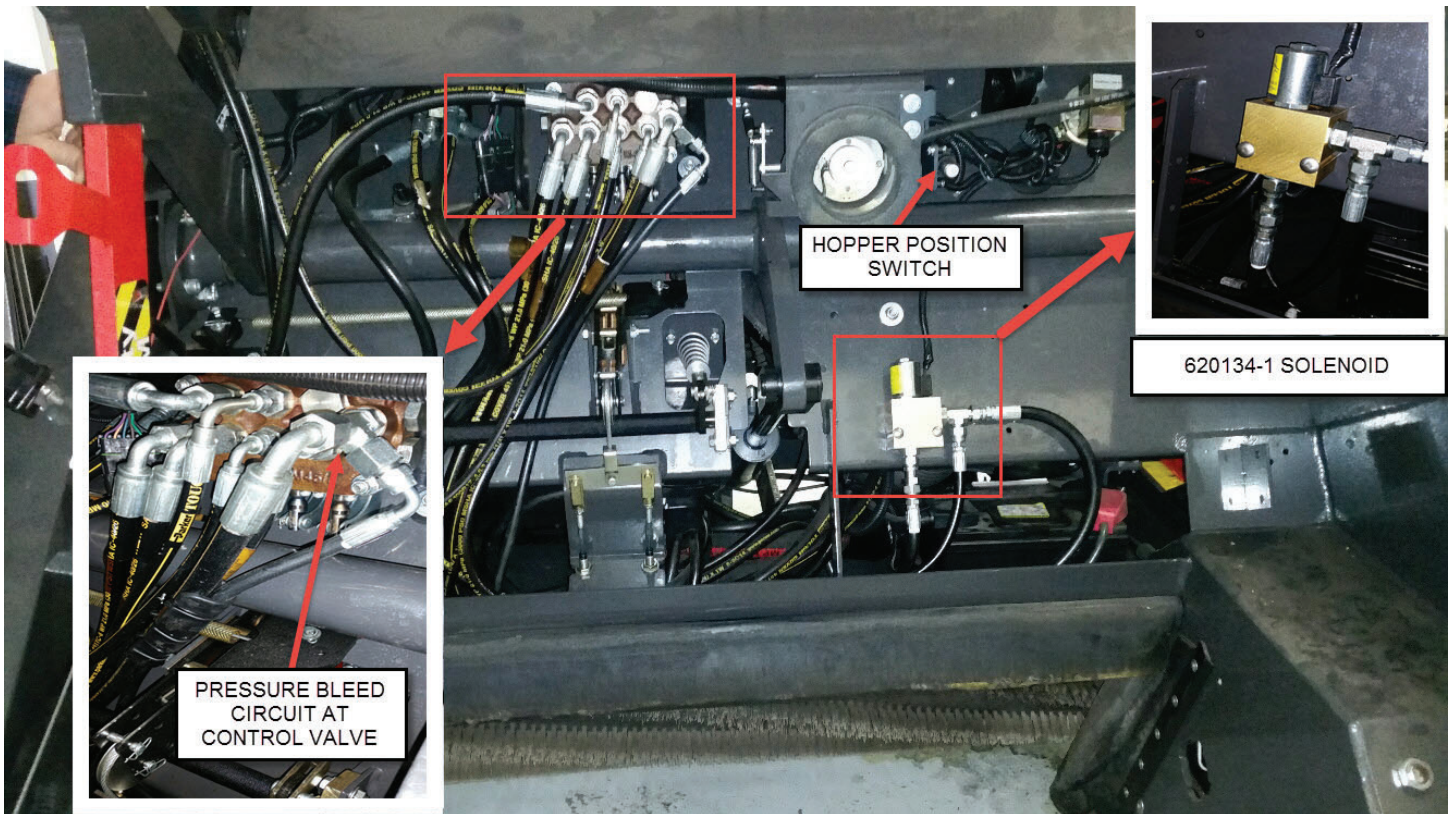
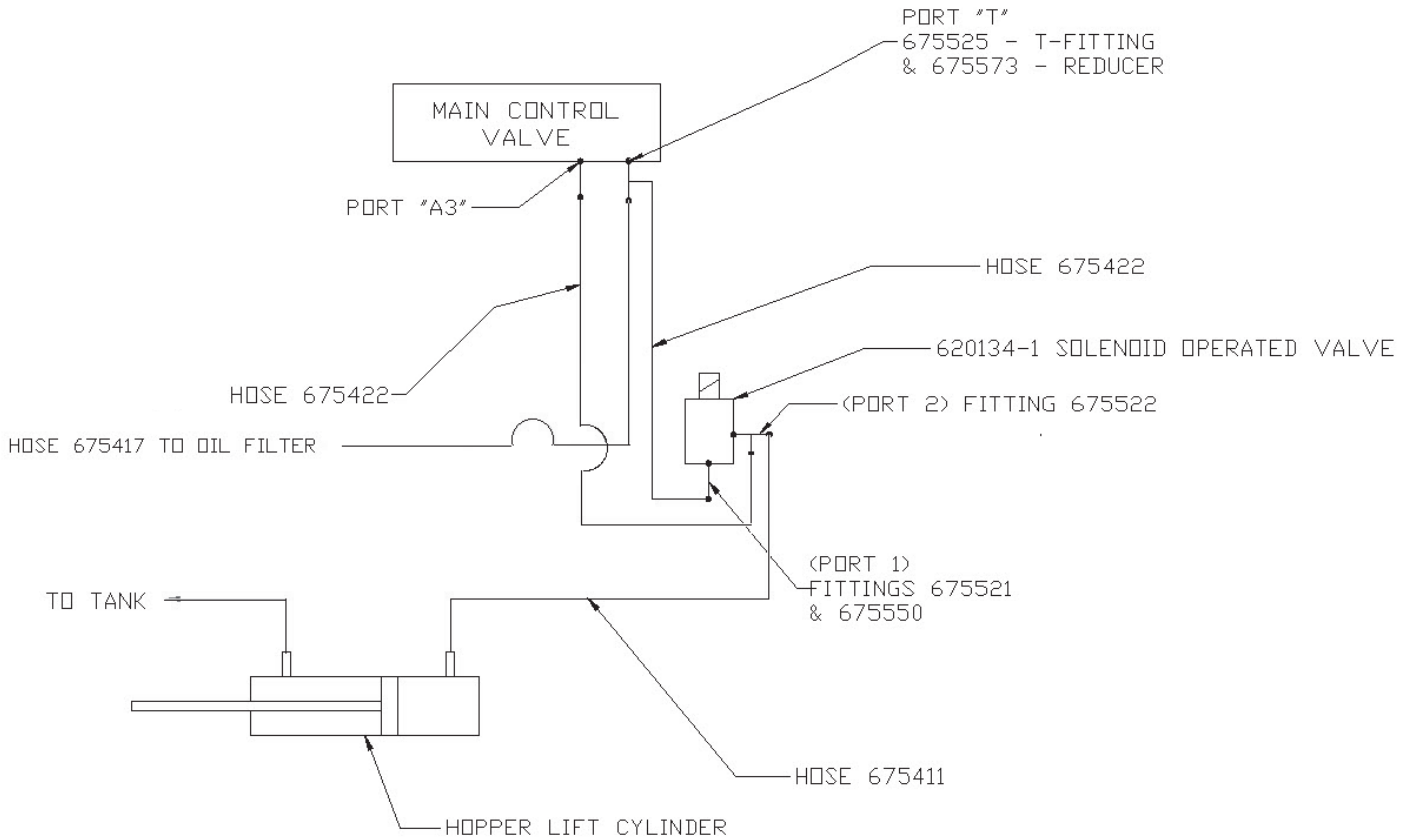
ITEM	PART NO.	REQ'D	DESCRIPTION
1	623006	1	SWITCH, SEAT SAFETY
2	690322	1	GROUP, SEAT SWITCH BYPASS - 9X
3	711210	1	SCR-HH 1/4-20 X 1.25 ZP GR 5 FULL THRD
4	711373	1	NUT-NYLOC 1/4-20 ZP
5	730934	2	SCR-HH M6-1.00 X 16 SS FULL THREAD
6	741036	1	TIMER-RELAY-TRUE OFF 12V 3 SEC
7	3311564	1	GROMMET-RUBBER, 1/2 ID
8	12310033	2	WASHER-FLAT M6.4 X 12 X 1.6 ZP
9	690322	1	GROUP, SEAT SWITCH BYPASS - 9X

OPT - LOW LP INDICATOR (690148)



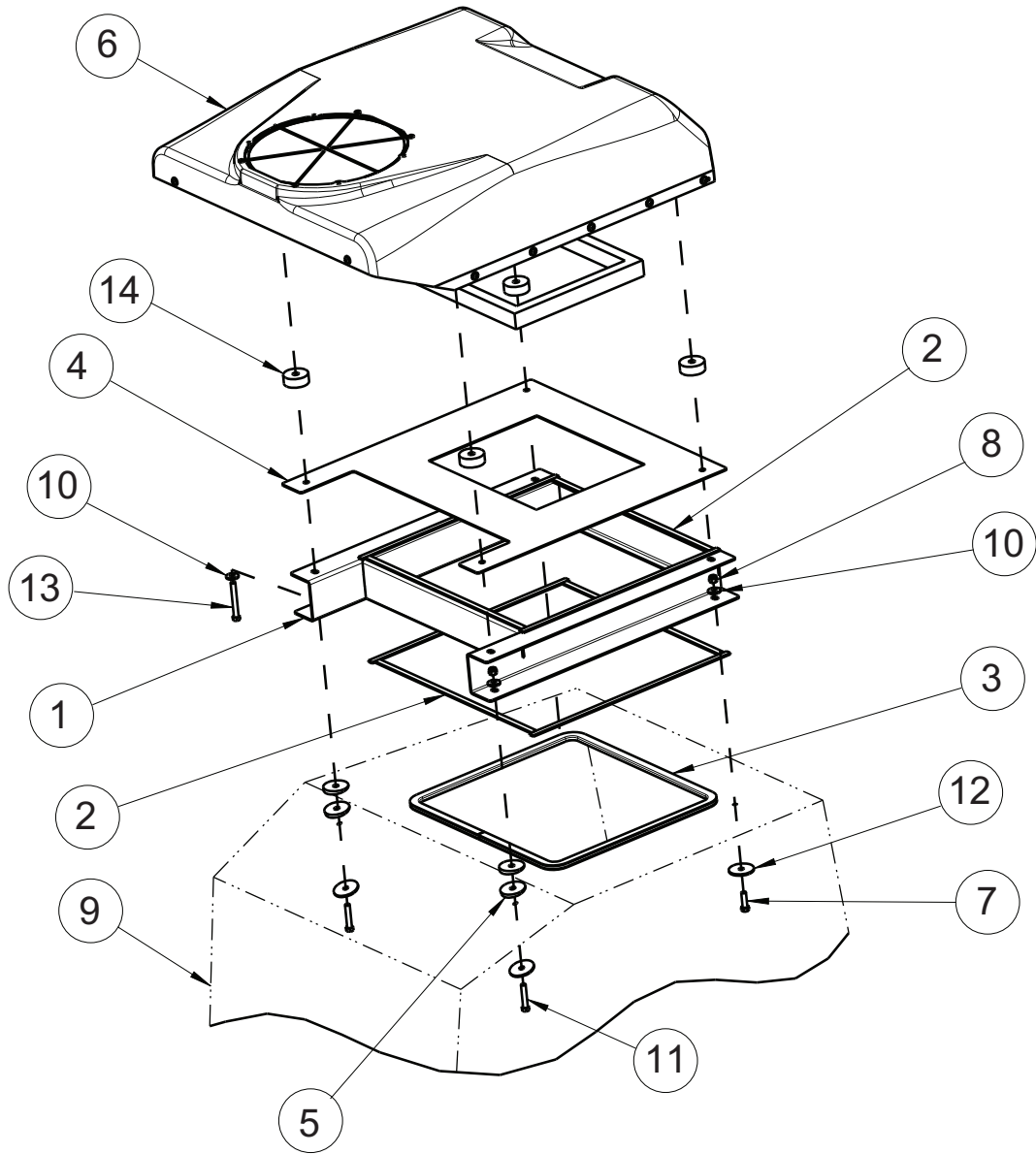
OPT - LOW LP INDICATOR (690148)			
ITEM	PART NO.	REQ'D	DESCRIPTION
1	748453	1	HARNESS, LOW LP INDICATOR
2	748960	1	LIGHT ASSY, INDICATOR LAMP, LOW LP
3	3305535-2	1	TEE, LOW LP INDICATOR
4	3305535-3	1	SENSOR, LOW LP INDICATOR
5	3305535-4	1	LABEL, LOW LP INDICATOR
6	REF	-	MOUNT - LPG SAFETY VALVE
7	REF	-	BULKHEAD - 62 LP
9	REF	-	VALVE - LP RELIEF
10	90524174	2	COVER, SAFETY CAP WIRE TERMINAL
11	REF	-	WELDMENT - CLIP SEAT
12	REF	-	WELDMENT - FRAME 9X

OPT - HOPPER PRESSURE BYPASS (690231)

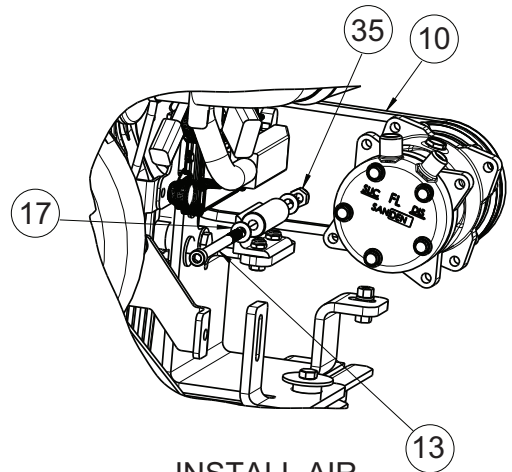
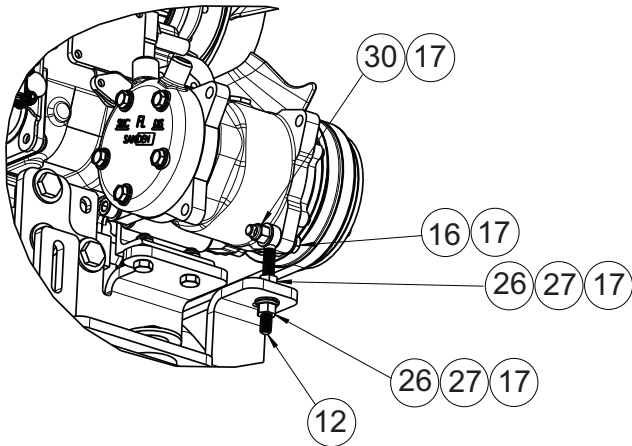
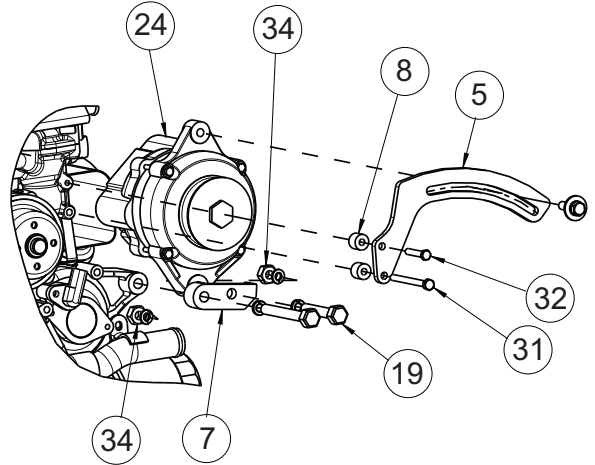
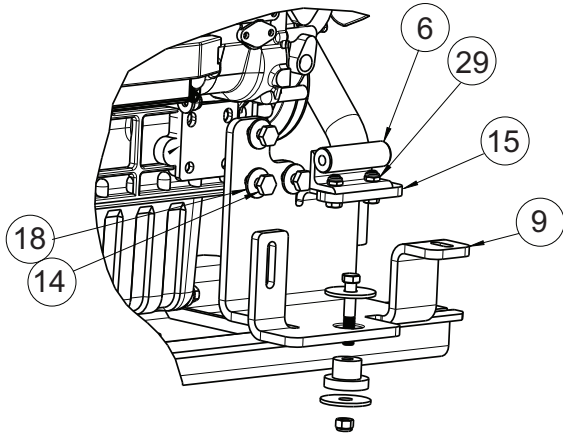


OPT - HOPPER PRESSURE BYPASS (690231)		
PART NO.	REQ'D	DESCRIPTION
3335945	1	SWITCH-COBO W/ AMP CONNECTOR
3337340	1	PLT - HOPPER POSITION SWITCH MOUNT
3400035	2	SCR-HH 5/16-18 X 1.00 ZP GR 5
3400384	2	WASHER-CONICAL SPRING 5/16
620134-1	1	ASSY VALVE, SOLENOID N/C
675411	1	HYD HOSE - PS UNIT TO ROT ACT P2
675422	1	HYD HOSE - LIFT CYL TO CONT VALVE E
675521	1	FTG-STR THD CONNECTOR -6 ORFS TO -8 SA
675522	1	FTG-STR THD RUN TEE -6 ORFS TO -8 ORFS T
675525	1	FTG-STR THD RUN TEE -8 ORFS TO -8 SAE
675550	1	FITTING ORIFICE .047 #6
675573	1	FITTING
711310	2	NUT-HEX 10-32 ZP
711379	2	NUT-FLANGED WIZZ 5/16-18 ZP
711387	2	NUT-JAM 1/4-20 ZP NYLOC
711503	2	WASHER-FLAT #10 X .50 ZP
711505	2	WASHER-FLAT 1/4 ZP
711543	2	WASHER-LOCK #10 SPLIT ZP
712550	2	SCR-HH 10-32 X.75 SS SLOTTED WSH HEAD
712573	2	BLT-CARR 1/4-20 X 2.50 SS
749017	1	HARNESS ASSY, HOPPER SWITCH

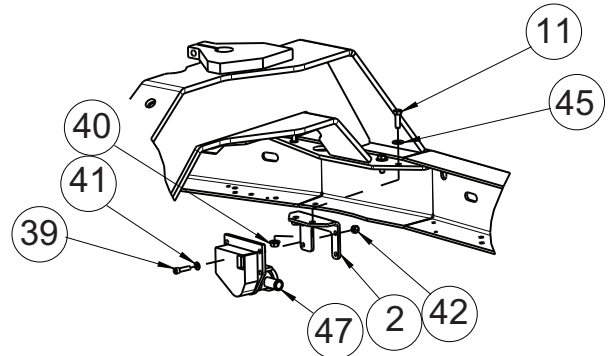
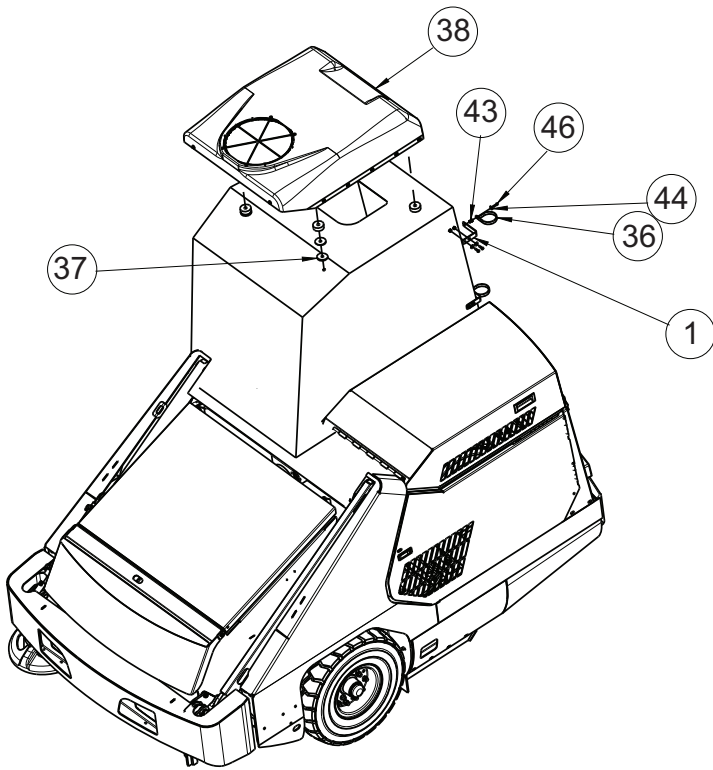
OPT - AIR CONDITIONING UNIT RISER (690317)



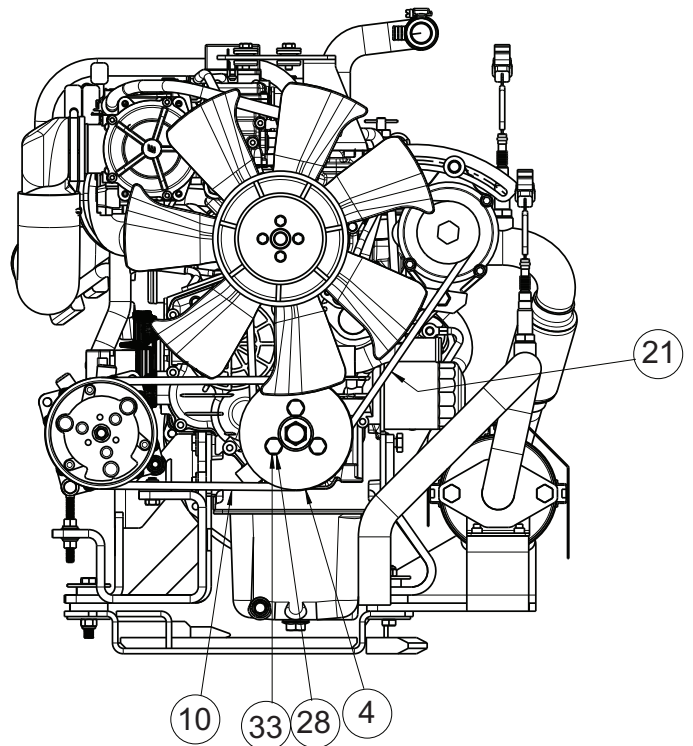
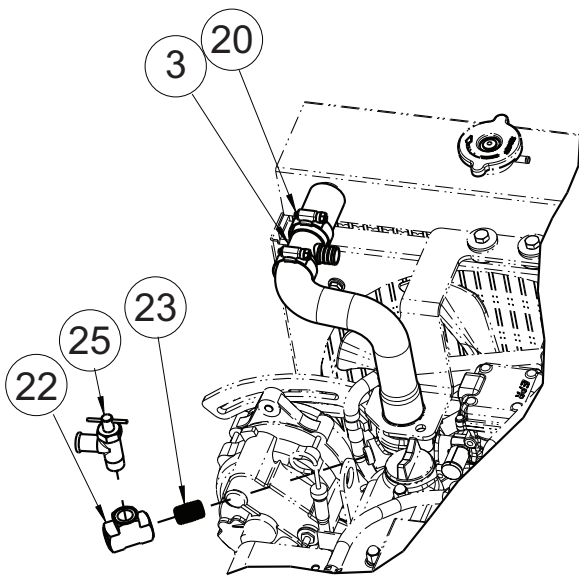
OPT - AIR CONDITIONING UNIT RISER (690317)			
ITEM	PART NO.	REQ'D	DESCRIPTION
1	690921	1	WELDMENT, RISER, VISIONAIRE (47-7055)
2	690924	8	SEAL, RISER, AC UNIT 20"
3	690925	1	EDGING, RISER CAB CUTOUT
4	690926	1	PLATE, RISER, VISIONAIRE (47-7055)
5	690927	4	ISOLATOR, WEDGE SHAPED
6	690950	1	AIR CONDITIONER/HEATER, 9X
7	711250	2	SCR-HH 3/8-16 X 1.25 ZP GR 5
8	711380	4	NUT-NYLOC 3/8-16 ZP
9	3316630	1	CAB-ERGO 8X/9X/10X, PAINTED
10	3400336	8	WASHER-FLAT 3/8 X 1 X .105 SS
11	3401454	2	SCR-HH 3/8-16 X 2.00 ZP GR 5 TAP
12	REFERENCE	4	WASHER, 3/8 FENDER (INCLUDED WITH A/C)
13	REFERENCE	4	SCREW-HEX 3/8-16 (INCLUDD WITH A/C)
14	REFERENCE	4	A/C UNIT ISOLATOR



INSTALL AIR
CONDITIONING
COMPRESSOR



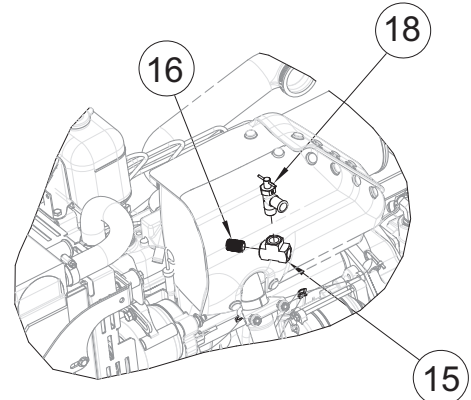
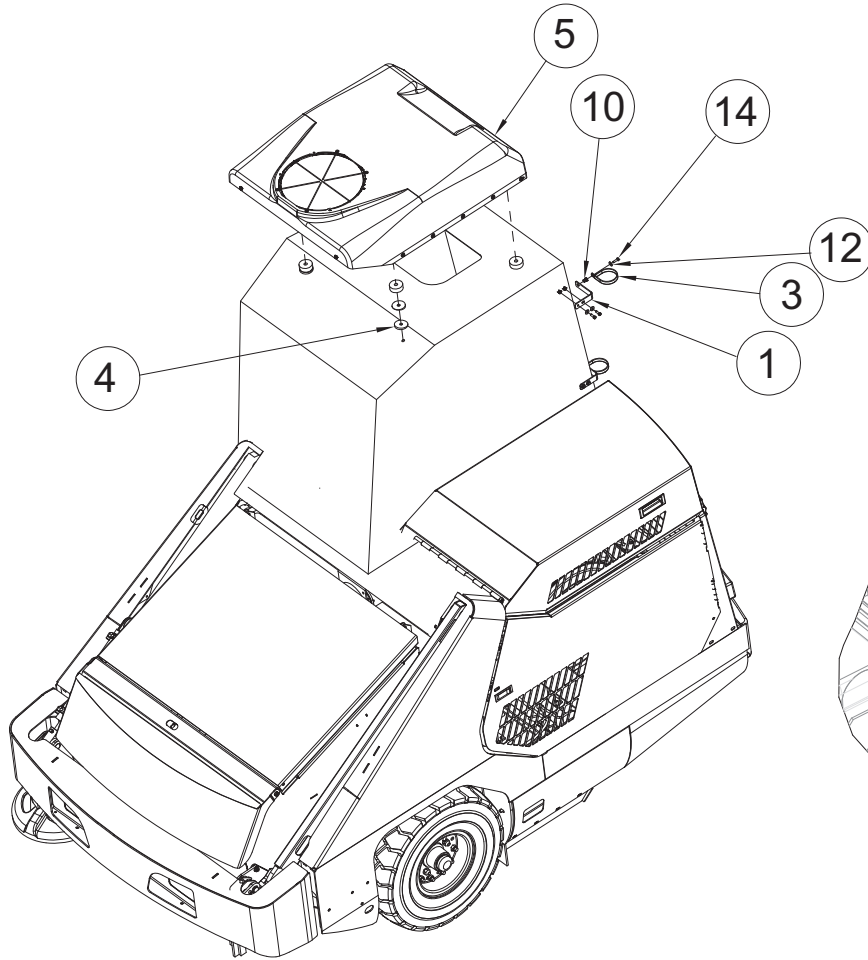
WATER VALVE INSTALL DETAIL



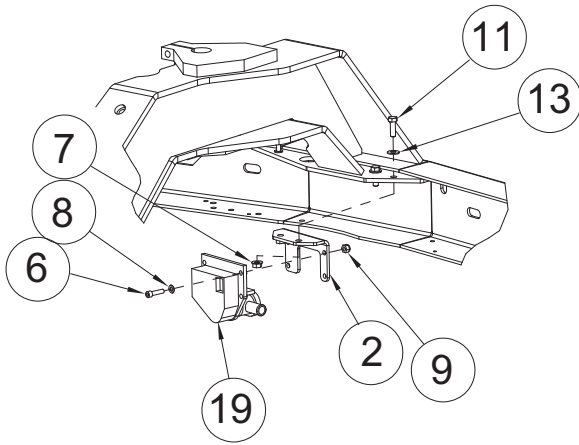
OPT - AIR CONDITIONING, LP/GAS (690378)			
ITEM	PART NO.	REQ'D	DESCRIPTION
1	650170	2	BRKT, AC LINE SUPPORT
2	650252	1	BRKT, HEAT VALVE SUPPORT
3	690039	1	FTG-TEE 1-1/4 HBX 1-1/4 HB X 3/4 HB BRAS
4	690352	1	PULLEY, A/C COMPRESSOR DRIVE - 9X
5	690355	1	BRKT, ALTERNATOR ADJ, A/C OPT - 9X
6	690356	1	PIVOT, A/C COMPRESSOR PIVOT - 9X
7	690360	1	BRKT, ALTERNATOR ADAPT, A/C OPT - 9X
8	690361	2	SPACER, .252 ID, .5 OD, .5 T, ZP
9	690523	1	MOUNT, AC COMP PIVOT - 9X LP/GAS
10	690524	1	BELT, NOTCHED V (GATES XL)
11	3400035	1	SCR-HH 5/16-18 X 1.00 ZP GR 5
12	710875	1	ROD END, 3/8-16 X 3-1/2, MALE
13	713012	1	SCR-SHCS M10-1.5 X 130 EG CLASS 12.9
14	713038	3	SCR-HH M10-1.25 X 30 ZP CLASS 8.8
15	713042	2	SCR-HH 3/8-16 X 1.00 ZP GR 5
16	713045	1	SCR-HH 3/8-16 X 1.75 ZP GR 5
17	713616	6	WASHER-FLAT 3/8 EG, HARDENED
18	717040	3	WASHER-FLAT M10.5 X 30 X 2.5 SS
19	730481	1	SCR-HH M10-1.50 X 60 ZP CLASS 8.8
20	3302193	2	CLAMP - SCREW .69" to 1.5" DIA 201SS
21	3302733	1	BELT, NOTCHED V (GATES XL)
22	3303303	1	FTG-TEE 3/8 FPT
23	3303304	1	FTG-NIPPLE 3/8 BRASS
24	3331482	1	60 AMP ALTERNATOR
25	3334443	1	TRUCK VALVE-.625 HOSEX.375 PIPE THD
26	3400068	2	NUT-HEX 3/8-16 ZP GR 5
27	711546	2	WASHER-LOCK 3/8 SPLIT ZP
28	3400385	3	WASHER-CONICAL SPRING 3/8

OPT - AIR CONDITIONING, LP/GAS (690378)			
ITEM	PART NO.	REQ'D	DESCRIPTION
29	711375	2	NUT-JAM 3/8-16 ZP NYLOC
30	3401479	1	NUT-NYLOC 3/8-16 ZP YELLOW GR 8
31	3401509	1	SCR-HEX M6 X 1.0 X 70MM, ZP
32	11038130	1	BLT-HH M6 X 1.0 X 35 STL ZD 8.8 DIN 933
33	11038346	3	SCR-HH M10-1.5 X 25 ZD CLASS 8.8
34	12022067	2	NUT-HEX M10 X 1.5 ZD CLASS 8
35	12040069	1	NUT-NYLOC M10 X 1.5 ZD CLASS 6
36	690436	2	CLAMP-P TYPE 2-3/4 VINYL CUSHION
37	690927	4	ISOLATOR, WEDGE SHAPED
38	690950	1	AIR CONDITIONER/HEATER, 9X
39	710826	4	SCR-SHCS 1/4-20 X 1.00 SS
40	711379	2	NUT-FLANGED WIZZ 5/16-18 ZP
41	711577	4	WASHER-FLAT .260 X .50 X .020
42	712667	4	NUT-NYLOC 1/4-20 SS
43	730535	6	INSERT-M6-1.00, .7 - 4.2 GRIP
44	3400383	6	WASHER-CONICAL SPRING 1/4
45	3400384	2	WASHER-CONICAL SPRING 5/16
46	11038098	6	SCR-HH M6-1.0 X 20 ZP CLASS 8.8 DIN
47	REFERENCE	1	ELECTRIC WATER VALVE - INCLUDED WITH AC UNIT

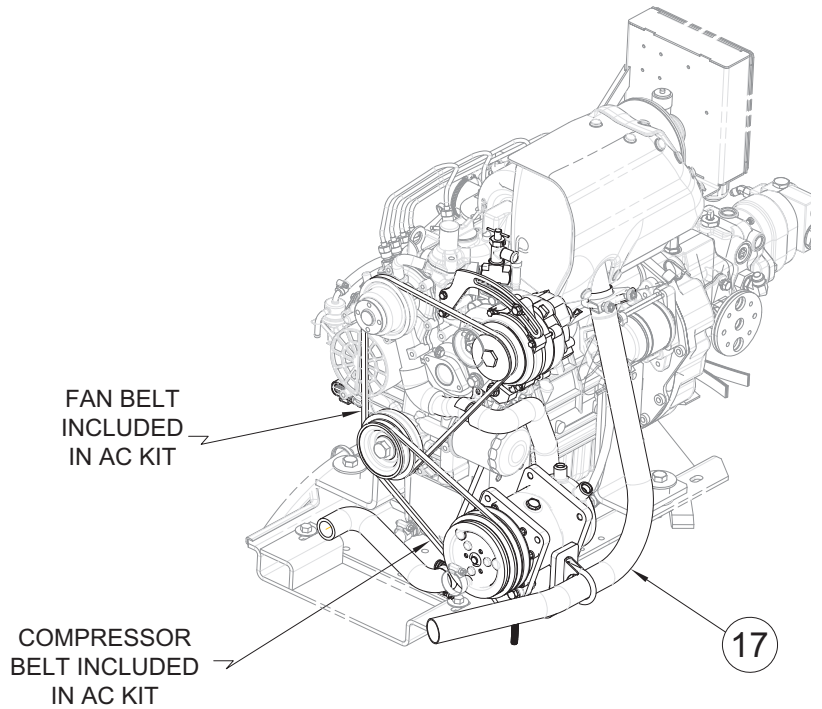
OPT - AIR CONDITIONING, DSL (3316990)



THERMOSTAT HOUSING - REF



WATER VALVE INSTALL DETAIL



FAN BELT INCLUDED IN AC KIT

COMPRESSOR BELT INCLUDED IN AC KIT

OPT-AIR CONDITIONING, DSL (3316990)			
ITEM	PART NO.	REQ'D	DESCRIPTION
1	650170	2	BRKT, AC LINE SUPPORT
2	650252	1	BRKT, HEAT VALVE SUPPORT
3	690436	2	CLAMP-P TYPE 2-3/4 VINYL CUSHION
4	690927	4	ISOLATOR, WEDGE SHAPED
5	690950	1	AIR CONDITIONER/HEATER, 9X
6	710826	4	SCR-SHCS 1/4-20 X 1.00 SS
7	711379	2	NUT-FLANGED WIZZ 5/16-18 ZP
8	711577	4	WASHER-FLAT .260 X .50 X .020
9	712667	4	NUT-NYLOC 1/4-20 SS
10	730535	6	INSERT-M6-1.00, .7 - 4.2 GRIP
11	3400035	2	SCR-HH 5/16-18 X 1.00 ZP GR 5
12	3400383	6	WASHER-CONICAL SPRING 1/4
13	3400384	2	WASHER-CONICAL SPRING 5/16
14	11038098	6	SCR-HH M6-1.0 X 20 ZP CLASS 8.8 DIN
15	3303303	1	FTG-TEE 3/8 FPT
16	3303304	1	FTG-NIPPLE 3/8 BRASS
17	3330886	1	KIT-A/C (EPS) SW/9X V1505 KBA
18	3334443	1	TRUCK VALVE-.625 HOSEX.375 PIPE THD
19	REFERENCE		ELECTRIC WATER VALVE - INCLUDED WITH A/C UNIT

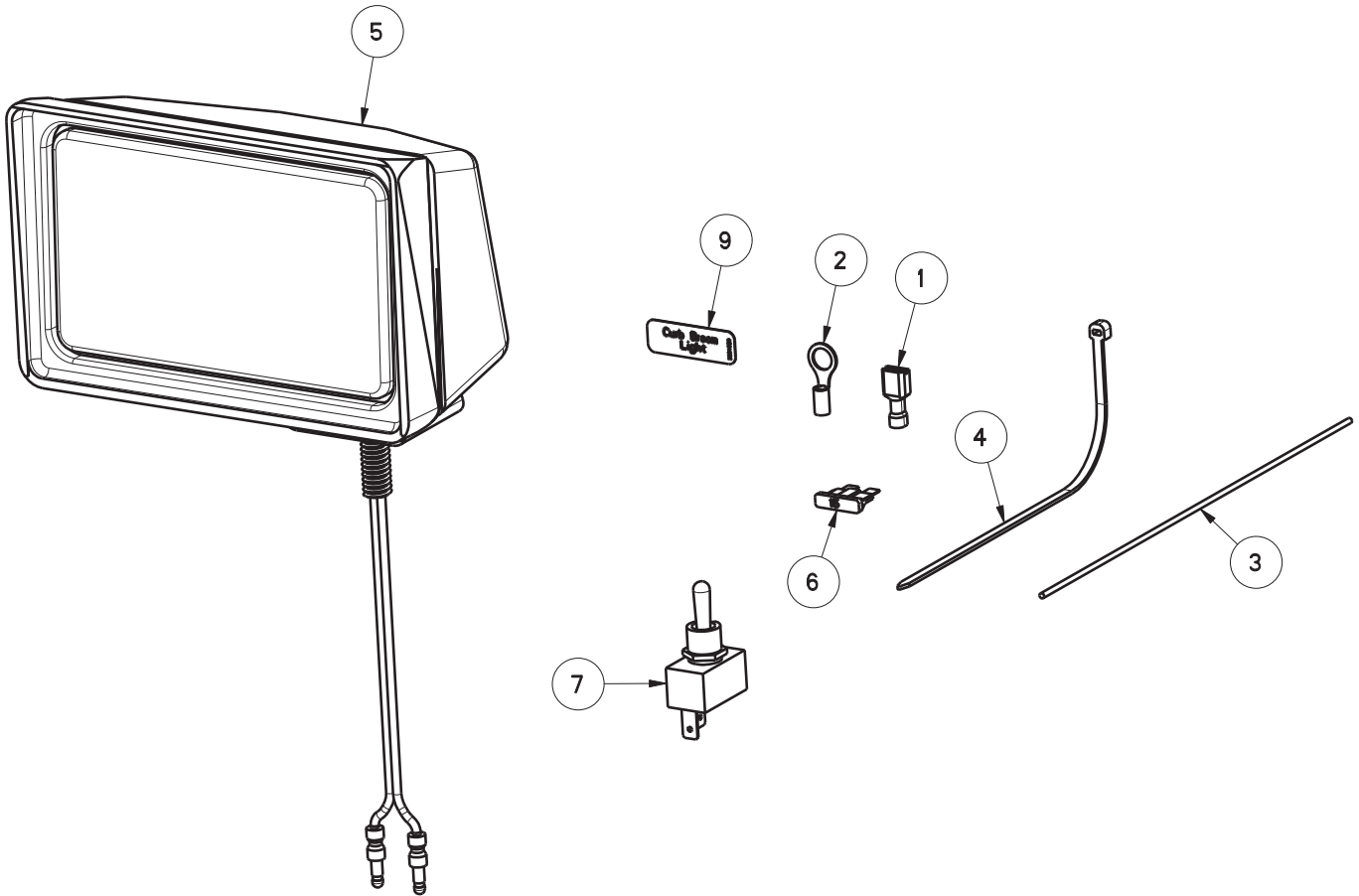
**OPT - AIR CONDITIONING, DSL
 FOR CE MODELS (690380)**

OPT - AIR CONDITIONING, DL FOR CE MODELS (690380)			
ITEM	PART NO.	REQ'D	DESCRIPTION
1	3316990	1	OPT-A/C 1505 KBA - DSL
2	690317	1	OPT-AIR CONDITIONING UNIT RISER - 9X

**OPT - AIR CONDITIONING, LP/GAS
 FOR CE MODELS (690381)**

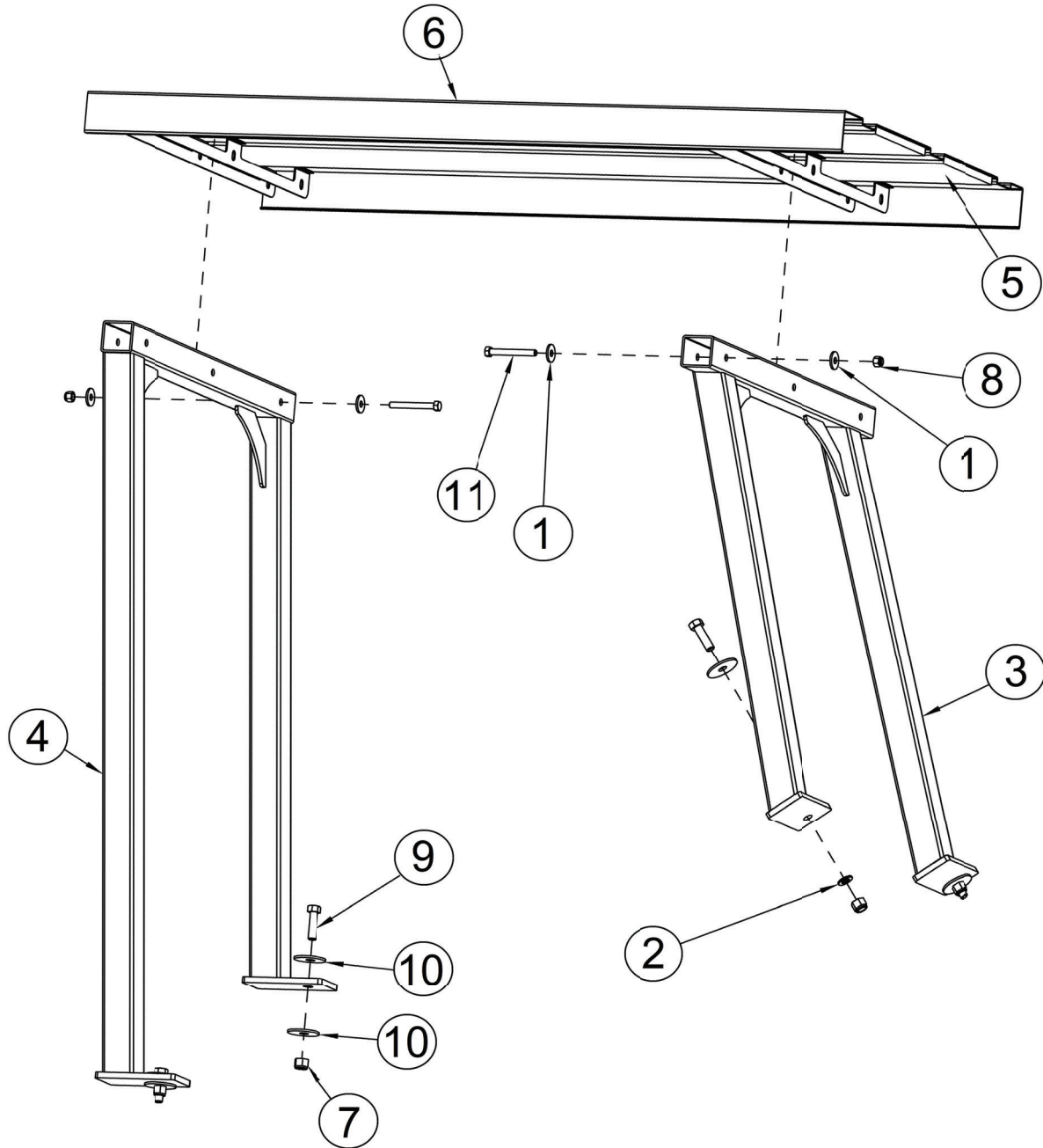
OPT - AIR CONDITINOING, LP/GAS FOR CED MODELS (690381)			
ITEM	PART NO.	REQ'D	DESCRIPTION
1	690378	1	OPT-AIR CONDITIONING, 9X LP/GAS
2	690317	1	OPT-AIR CONDITIONING UNIT RISER - 9X

OPT - SPOTLIGHT, CURB BROOM (3316152)



OPT - SPOTLIGHT, CURB BROOM (3316152)			
ITEM	PART NO.	REQ'D	DESCRIPTION
1	740014	1	QC-FEMALE 14-16G .250 FULL INSULATED
2	740016	1	RING TERM-16-14G 5/16" FULL INSULATED
3	740102	1	WIRE-MTW 16GA RED
4	828062-B	1	CABLE TIE-LARGE (BLACK)
5	3301360	1	HEADLIGHT-STUD MOUNT
6	3322601	1	FUSE-15 AMP AUTOMOTIVE PUSH IN
7	3342705	1	SWITCH-BASE, DPST CONTURA ROCKER
9	3334829	1	DECAL-SIDE BROOM SPOT LIGHT

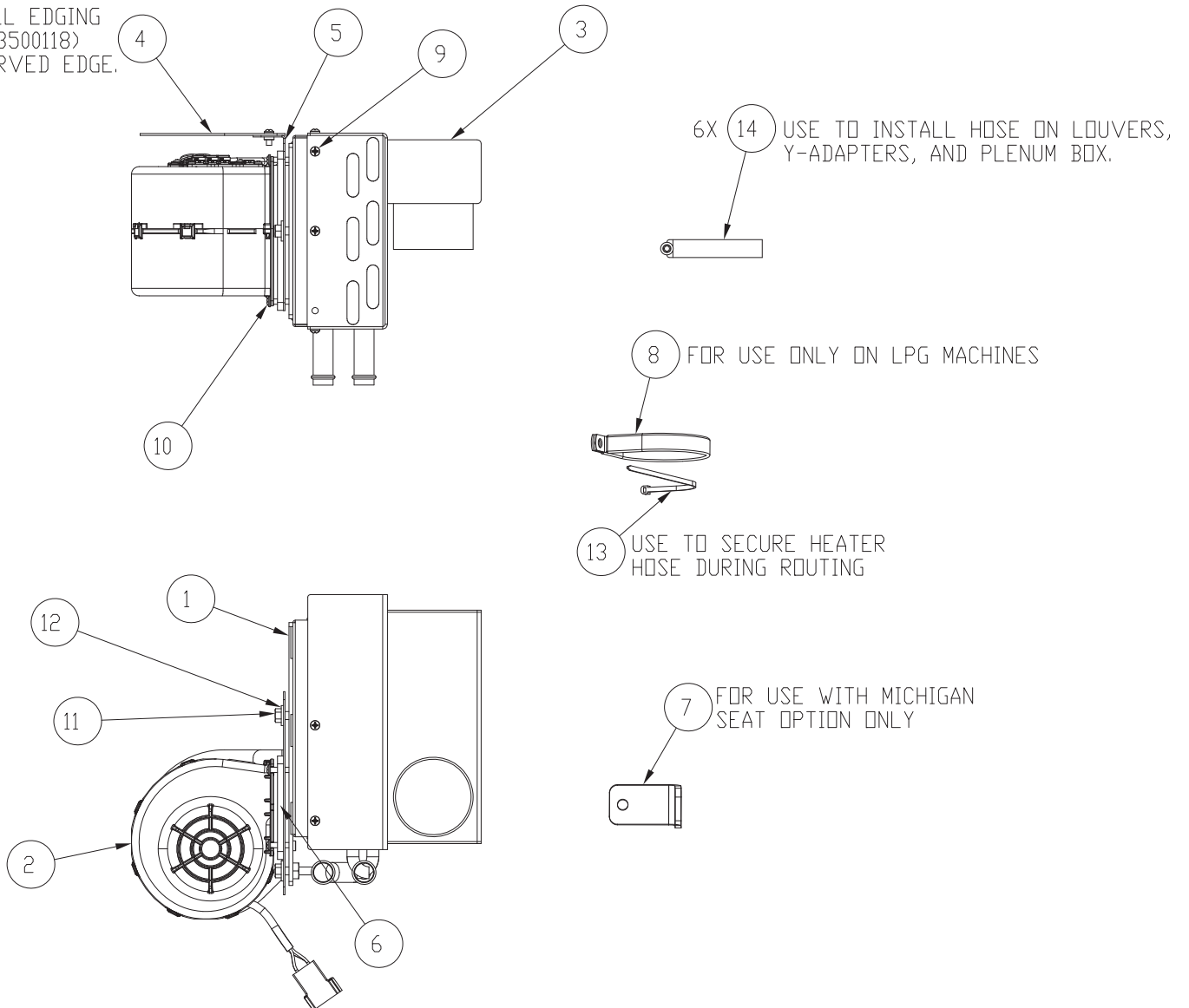
OPT - OVERHEAD GUARD (690840)



OPT - OVERHEAD GUARD (690840)			
ITEM	PART NO.	REQ'D	DESCRIPTION
1	600363	12	WASHER-FLAT .39 X 1.12 X .1 ZP
2	600950	1	WASHER-FLAT M12 ZP
3	690853	1	WELDMENT, OHG FRONT SUPPORT
4	690854	1	WELDMENT, OHG REAR SUPPORT
5	690871	2	INSULATION, OHG ROOF
6	690970	1	WELDMENT, OHG CORRUGATED ROOF
7	711376	4	NUT-NYLOC 1/2-13 ZP
8	711380	6	NUT-NYLOC 3/8-16 ZP
9	3400021	4	SCR-HH 1/2-13 X 1.75 ZP GR 5 FULL THRD
10	3400091	7	WASHER-FENDER 1/2 X 2.00 ZP
11	3400473	6	SCR-HH 3/8-16 X 3.00 ZP GR 5 FULL THREAD

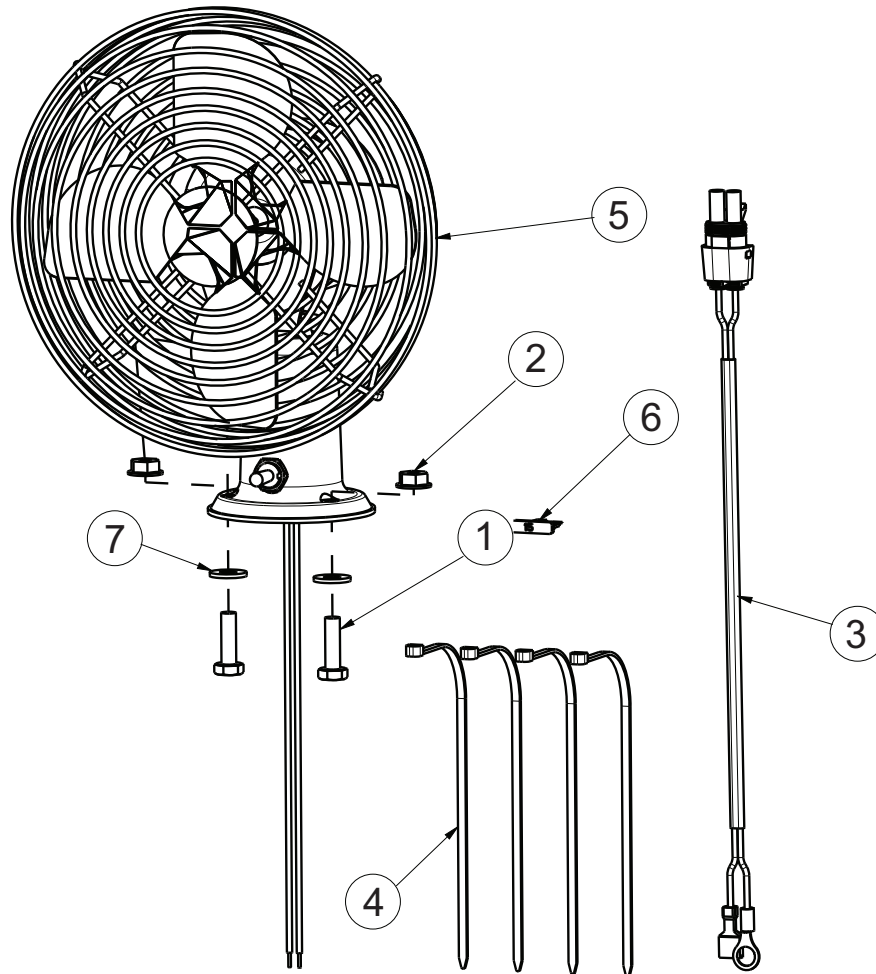
OPT - HEATER (690087)

INSTALL EDGING
(P/N: 3500118)
ON CURVED EDGE.



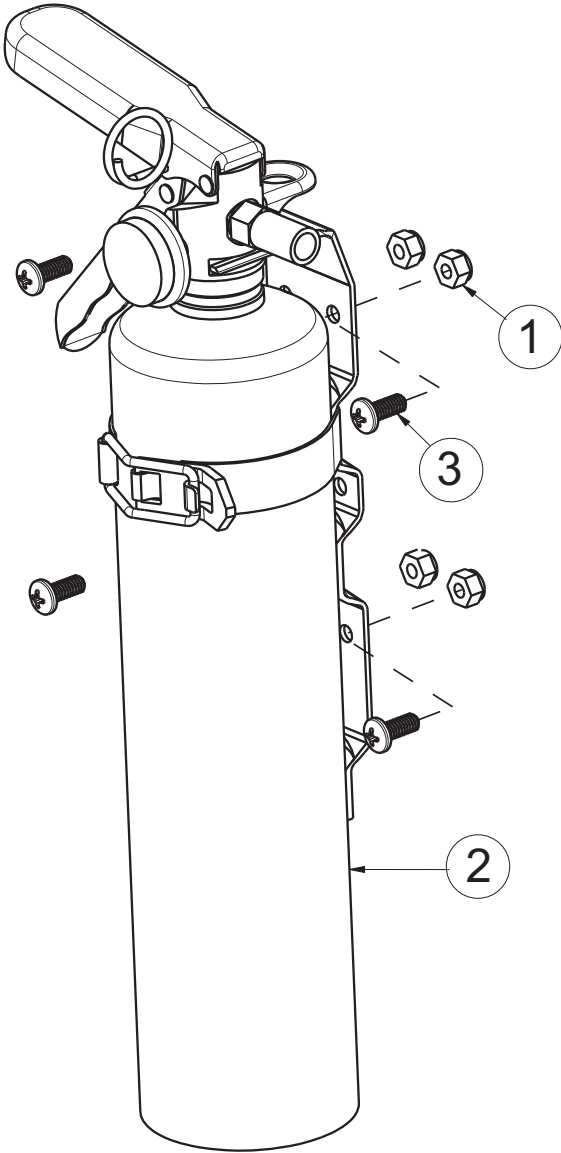
OPT - HEATER (690087)			
ITEM	PART NO.	REQ'D	DESCRIPTION
1	690080	1	WELDMENT, MTG, HEATER, 9X/10X
2	690086	1	HEATER, BTU 16000, 12V, 9X/10X OPTION
3	690096	1	W/D, ASSY, PLENUM BOX, HEATER 9X/10X
4	690097	1	SHROUD, TOP, HEATER MOTOR
5	690098	1	ASSY, MTG, HEATER MOTOR 9X/10X
6	690099	1	GASKET, HEATER BLOWER MOTOR
7	690429	1	BRACKET, MICHIGAN SEAT STOP
8	690436	1	CLAMP-P TYPE 2-3/4 VINYL CUSHION
9	710328	10	SCR-MC RD HD 8-32X.37 STL
10	710331	4	SCR-MC 8-32 X .75 ZINC
11	3400040	2	BLT-HH 1/4-20 X 1.00 STPL
12	711505	2	WASHER-FLAT 1/4 ZP
13	828062	6	CABLE TIE LARGE
14	3300336	6	CLAMP-HOSE 2.5 SS
***	748717	1	HARNESS ASSY, HEATER POWER
***	748718	1	HARNESS ASSY, HEATER CONTROL
***	3322601	1	FUSE-15 AMP AUTOMOTIVE PUSH IN
***	690039	1	FTG-TEE 1-1/4 HBX 1-1/4 HB X 3/4 HB BRAS
***	3334443	1	TRUCK VALVE-.625 HOSEX.375 PIPE THD
***	3303304	1	FTG-NIPPLE 3/8 BRASS
***	3500118	1	EDGING-VINYL TRIM 1/8" X 250'
***	3303072	1	SWITCH-3 SPEED
***	3303073	1	KNOB-ROTARY SWITCH 3-SPEED
***	3400820	1	CONN-WATER LINE 5/8ID X 3/8THD
***	620653S	32 FT	HOSE, COOLANT, 5/8 IN ID, RAW
***	3303303	1	FTG-TEE 3/8 FPT
***	3310096	2	DECAL-CAB SWITCH BOX ARMA
***	3302193	2	CLAMP-HOSE 1.25 NOM
***	3302144	4	CLAMP-HOSE 1/2 NOM
***	711210	1	SCR-HH 1/4-20 X 1.25 ZP GR 5 FULL THRD
***	711373	1	NUT-NYLOC 1/4-20 ZP

OPT - FAN/DEFROSTER (3317266)



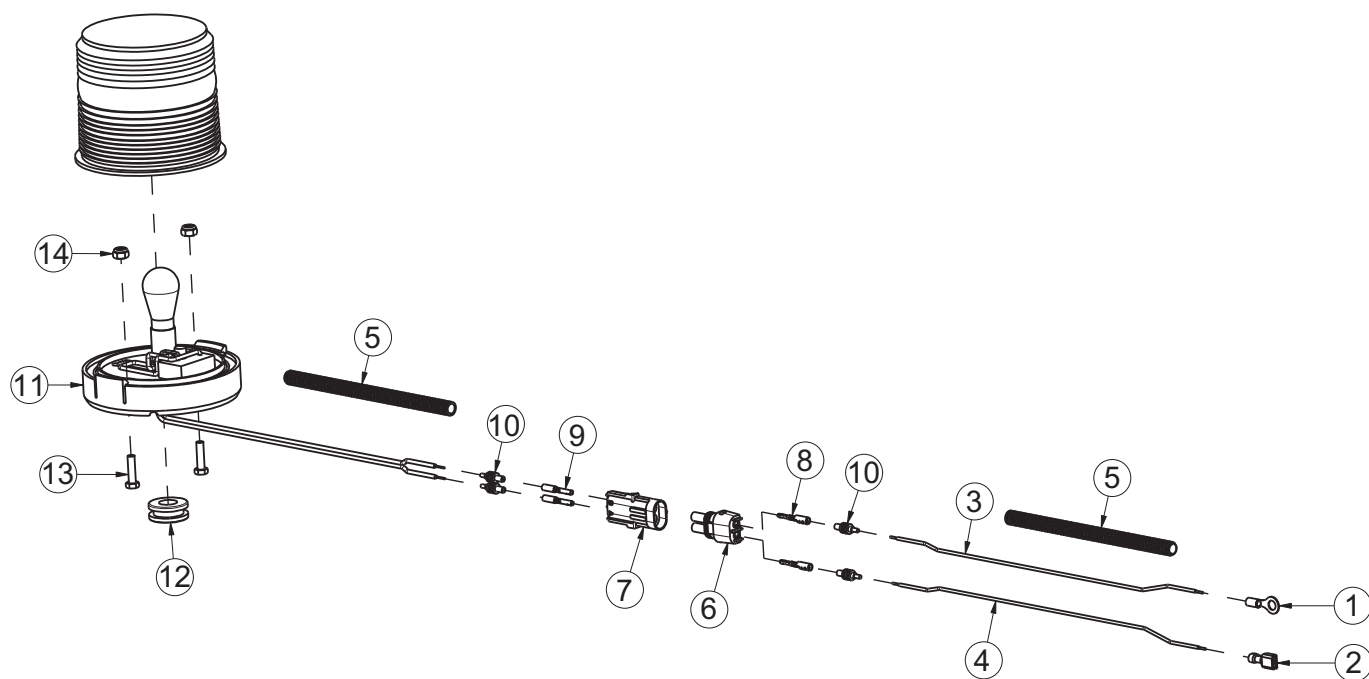
OPT - FAN/DEFROSTER (3317266)			
ITEM	PART NO.	REQ'D	DESCRIPTION
1	711206	2	SCR-HH 1/4-20 X .87 ZP GR 5
2	711425	2	NUT-FLANGED WIZZ 1/4-20 ZP
3	748478	1	HARNESS ASSY, SAFETY LIGHT
4	828062-B	4	CABLE TIE-LARGE (BLACK)
5	3302496	1	OPT- FAN,CAB
6	3322601	1	FUSE-15 AMP AUTOMOTIVE PUSH IN
7	711505	2	WASHER-FLAT 1/4 ZP

OPT - FIRE EXTINGUISHER (3317268)



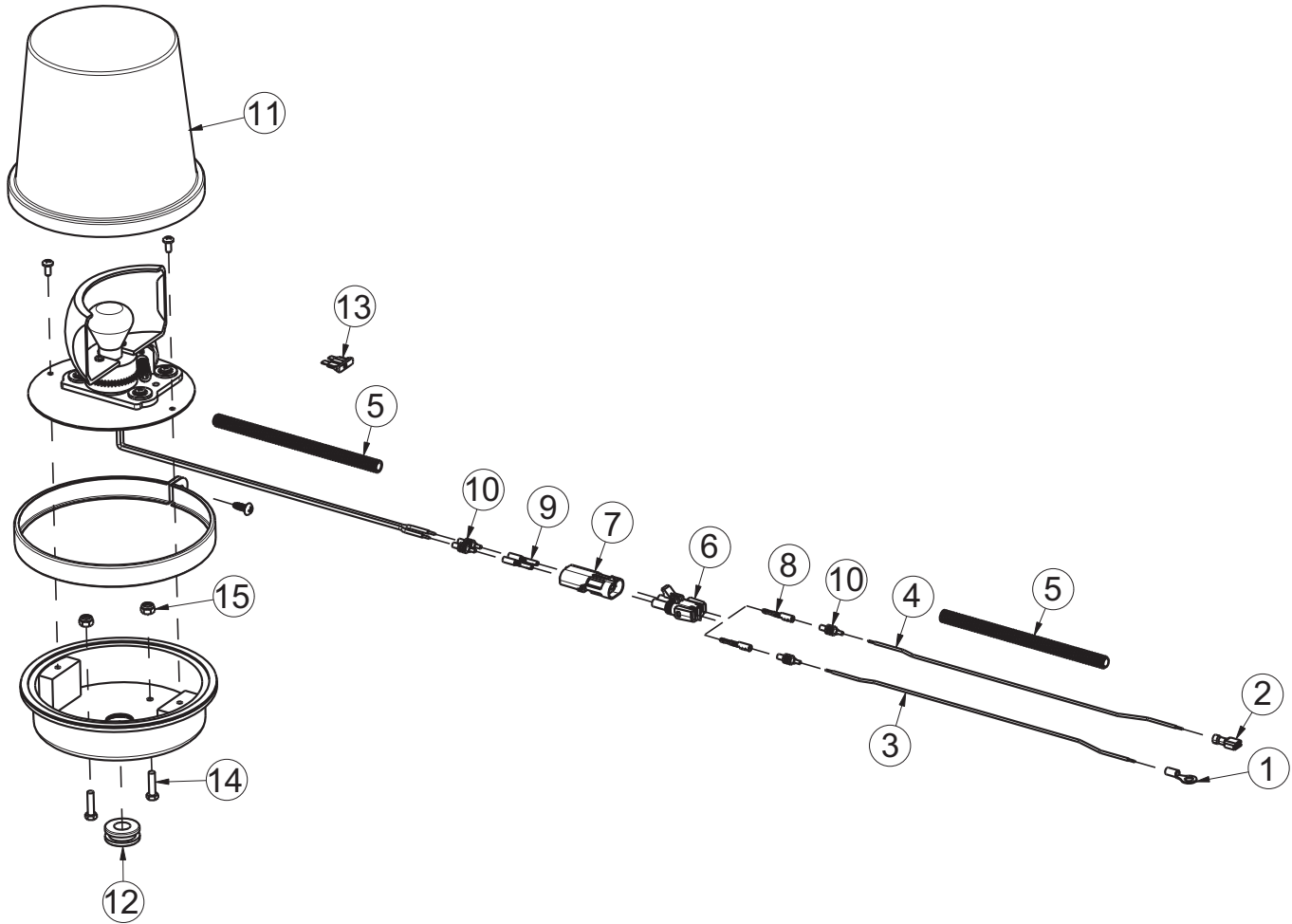
OPT-FIRE EXTINGUISHER (3317268)			
ITEM	PART NO.	REQ'D	DESCRIPTION
1	711373	4	NUT-NYLOC 1/4-20 ZP
2	3302769	1	EXTINGUISHER-FIRE REFILLABLE
3	3400232	4	SCR-PHMS 1/4-20 X 0.62 ZP

OPT - LIGHT, FLASH BLUE (3317271)



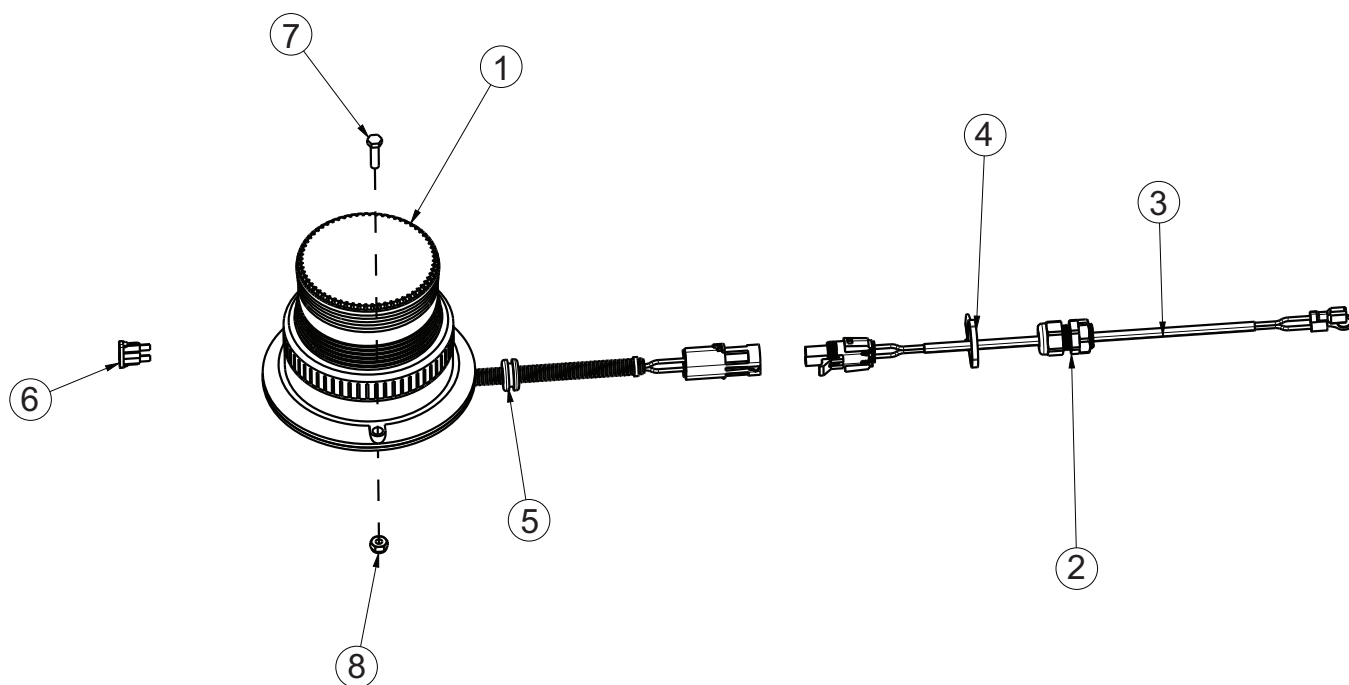
OPT - LIGHT, FLASH BLUE (3317271)			
ITEM	PART NO.	REQ'D	DESCRIPTION
1	740012	1	RING TERMINAL-14-16G 1/4" FULL INSULATED
2	740014	1	QC-FEMALE 14-16G .250 FULL INSULATED
3	740101	1	WIRE-MTW 16GA BLACK
4	740102	1	WIRE-MTW 16GA RED
5	741231	2	CONDUIT- SPLIT 1/4 ID
6	748020	1	CONNECTOR-PACKARD 2 PIN MALE
7	748021	1	CONNECTOR-PACKARD 2 PIN FEMALE
8	748023	2	CONNECTOR-PACKARD MALE 14-16G PIN
9	748024	2	CONNECTOR-PACKARD 14-16G FEMALE PIN
10	748710	4	PLUG, PACKARD 1W CAVITY PLUG
11	3302628	1	LIGHT-SAFETY BLUE FLASH 12V
12	3311564	1	GROMMET-RUBBER, 1/2 ID
13	3400044	2	SCR-HH 10-32 X .75 ZP SERR FLANGE
14	711350	2	NUT-JAM 10-32 ZP NYLOC

OPT - LIGHT, ROTATING RED (3317272)



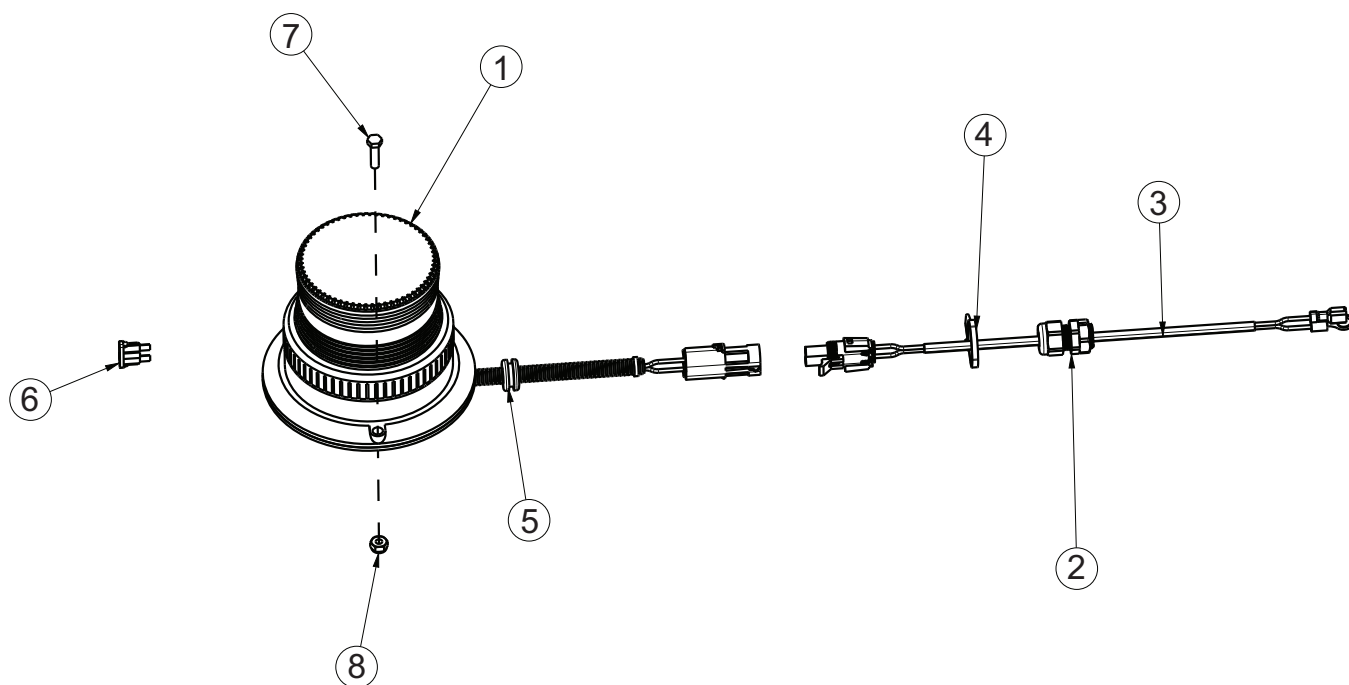
OPT - LIGHT, ROTATING RED (3317272)			
ITEM	PART NO.	REQ'D	DESCRIPTION
1	740012	1	RING TERMINAL-14-16G 1/4" FULL INSULATED
2	740014	1	QC-FEMALE 14-16G .250 FULL INSULATED
3	740101	1	WIRE-MTW 16GA BLACK
4	740102	1	WIRE-MTW 16GA RED
5	741231	2	CONDUIT- SPLIT 1/4 ID
6	748020	1	CONNECTOR-PACKARD 2 PIN MALE
7	748021	1	CONNECTOR-PACKARD 2 PIN FEMALE
8	748023	2	CONNECTOR-PACKARD MALE 14-16G PIN
9	748024	2	CONNECTOR-PACKARD 14-16G FEMALE PIN
10	748710	4	PLUG, PACKARD 1W CAVITY PLUG
11	3301347	1	LIGHT-EMERGENCY ROT RED 12V
12	3311564	1	GROMMET-RUBBER, 1/2 ID
13	3322601	1	FUSE-15 AMP AUTOMOTIVE PUSH IN
14	3400044	2	SCR-HH 10-32 X .75 ZP SERR FLANGE
15	711350	2	NUT-JAM 10-32 ZP NYLOC

OPT - LIGHT, AMBER, OVERHEAD GUARD (690444)



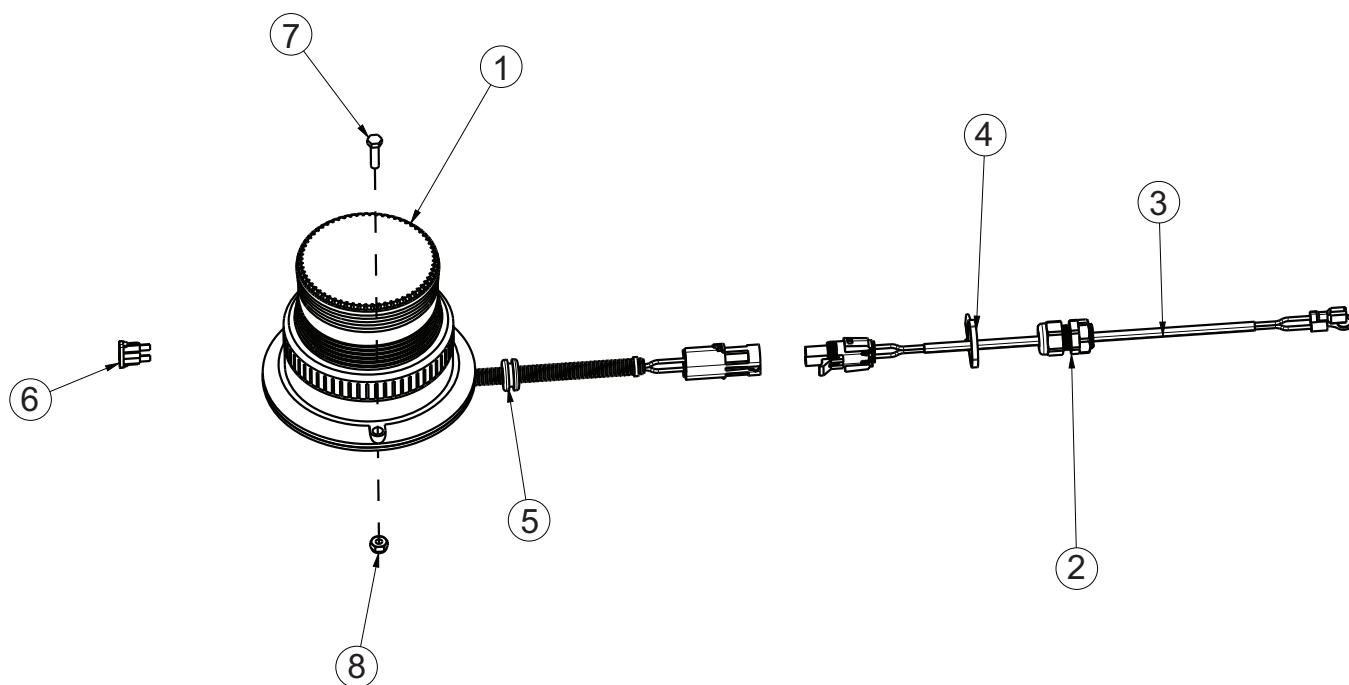
OPT - LIGHT, AMBER, OVERHEAD GUARD (690444)			
ITEM	PART NO.	REQ'D	DESCRIPTION
1	620073-1	1	LIGHT ASSY, LED BEACON
2	747689	1	STRAIN RELIEF CABLE DIA. .181-.312 #3210
3	748478	1	HARNESS ASSY, SAFETY LIGHT
4	828062	1	CABLE TIE LARGE
5	3301665	1	GROMMET-RUBBER, 1/8" PANEL THK, 3/8" ID
6	3322601	1	FUSE-15 AMP AUTOMOTIVE PUSH IN
7	3400044	2	SCR-HH 10-32 X .75 ZP SERR FLANGE
8	711350	2	NUT-JAM 10-32 ZP NYLOC

OPT - LIGHT, AMBER, ENGINE COVER (690444-1)



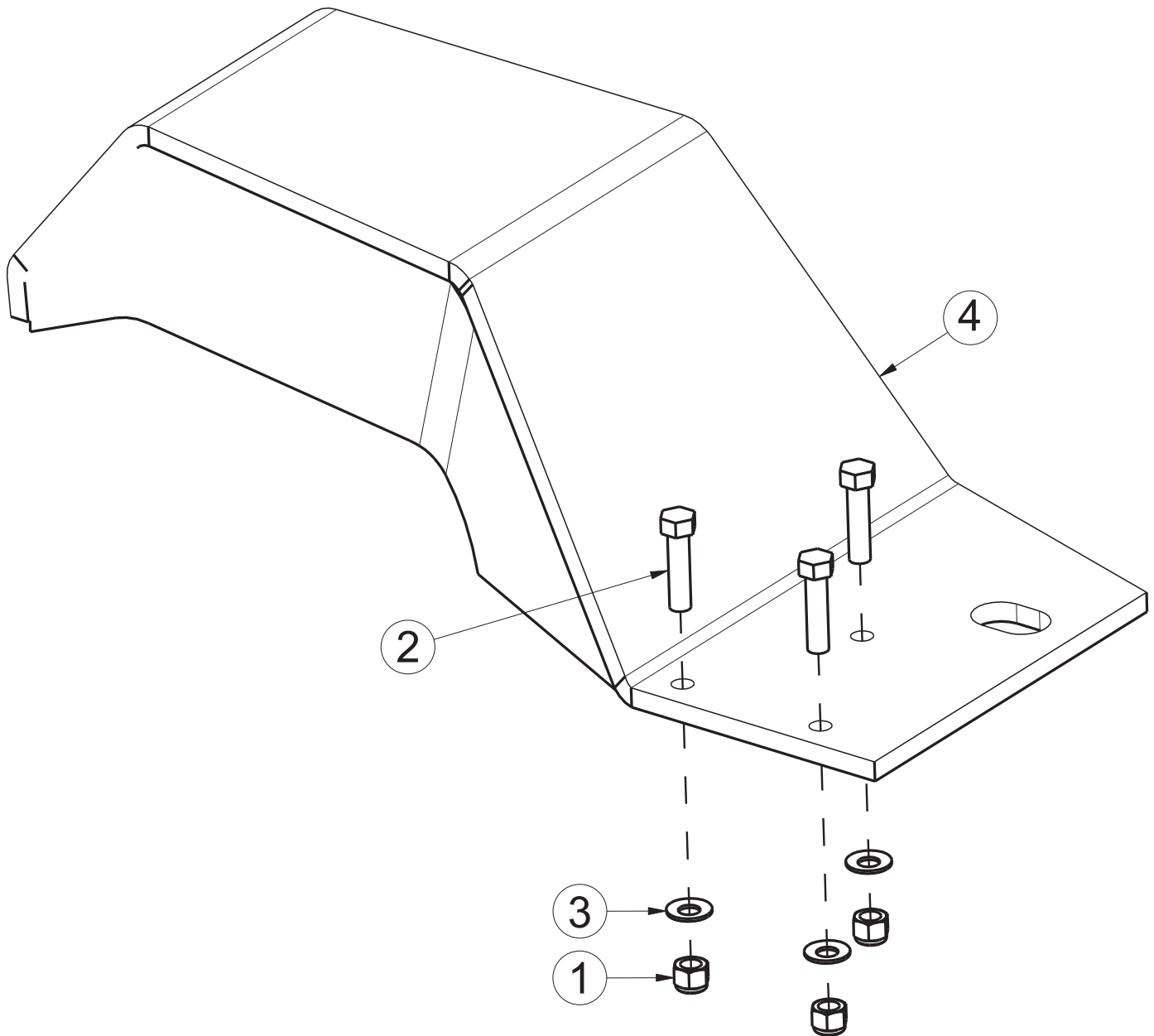
OPT - LIGHT, AMBER, ENGINE COVER (690444-1)			
ITEM	PART NO.	REQ'D	DESCRIPTION
1	620073-1	1	LIGHT ASSY, LED BEACON
2	747689	1	STRAIN RELIEF CABLE DIA. .181-.312 #3210
3	748477	1	HARNESS ASSY, SAFETY LIGHT
4	828062	1	CABLE TIE LARGE
5	3301665	1	GROMMET-RUBBER, 1/8" PANEL THK, 3/8" ID
6	3322601	1	FUSE-15 AMP AUTOMOTIVE PUSH IN
7	3400044	2	SCR-HH 10-32 X .75 ZP SERR FLANGE
8	711350	2	NUT-JAM 10-32 ZP NYLOC

OPT - LIGHT, AMBER, CAB (690444-3)



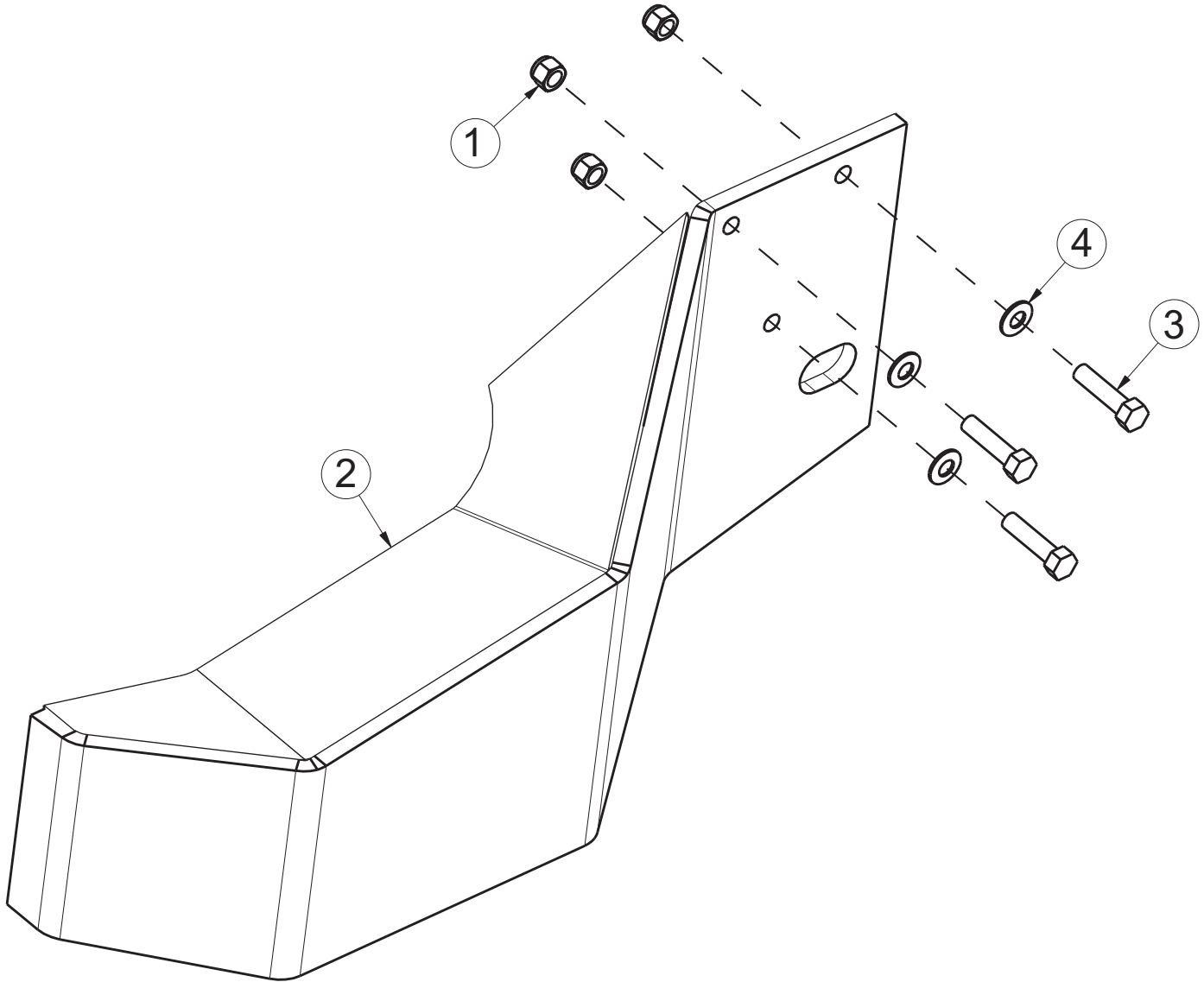
OPT - LIGHT, AMBER, CAB (690444-3)			
ITEM	PART NO.	REQ'D	DESCRIPTION
1	620073-1	1	LIGHT ASSY, LED BEACON
2	747689	1	STRAIN RELIEF CABLE DIA. .181-.312 #3210
3	748478	1	HARNESS ASSY, SAFETY LIGHT
4	828062	1	CABLE TIE LARGE
5	3301665	1	GROMMET-RUBBER, 1/8" PANEL THK, 3/8" ID
6	3322601	1	FUSE-15 AMP AUTOMOTIVE PUSH IN
7	3400044	2	SCR-HH 10-32 X .75 ZP SERR FLANGE
8	711350	2	NUT-JAM 10-32 ZP NYLOC

OPT - HD CURB BROOM, RIGHT (3317302)



OPT - HD CURB BROOM, RIGHT (3317302)			
ITEM	PART NO.	REQ'D	DESCRIPTION
1	711380	3	NUT-NYLOC 3/8-16 ZP
2	713044	3	SCR-HH 3/8-16 X 1.50 ZP GR 5
3	3400385	3	WASHER-CONICAL SPRING 3/8
4	3307726M	1	WELD-HD RH CURB BROOM GUARD, AM9D

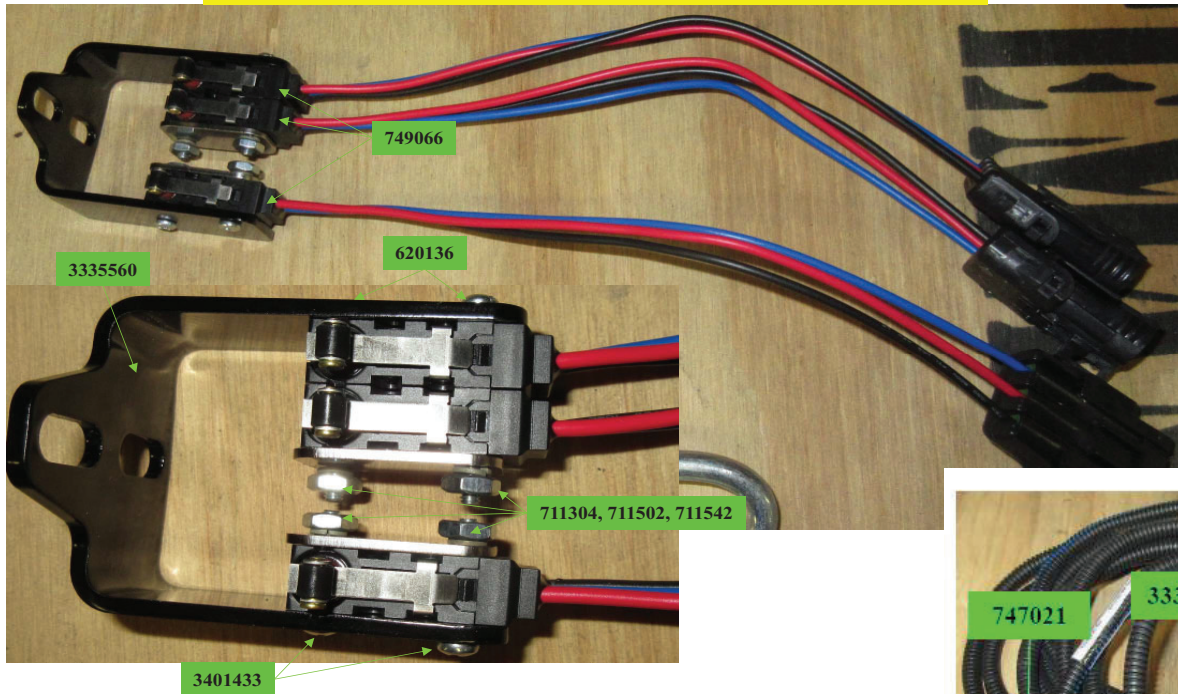
OPT - HD CURB BROOM, LEFT (3330752)



OPT - HD CURB BROOM, LEFT (3330752)			
ITEM	PART NO.	REQ'D	DESCRIPTION
1	711380	3	NUT-NYLOC 3/8-16 ZP
2	3330755	1	HD LH CURB BROOM GUARD SW/A
3	713044	3	SCR-HH 3/8-16 X 1.50 ZP GR 5
4	3400385	3	WASHER-CONICAL SPRING 3/8

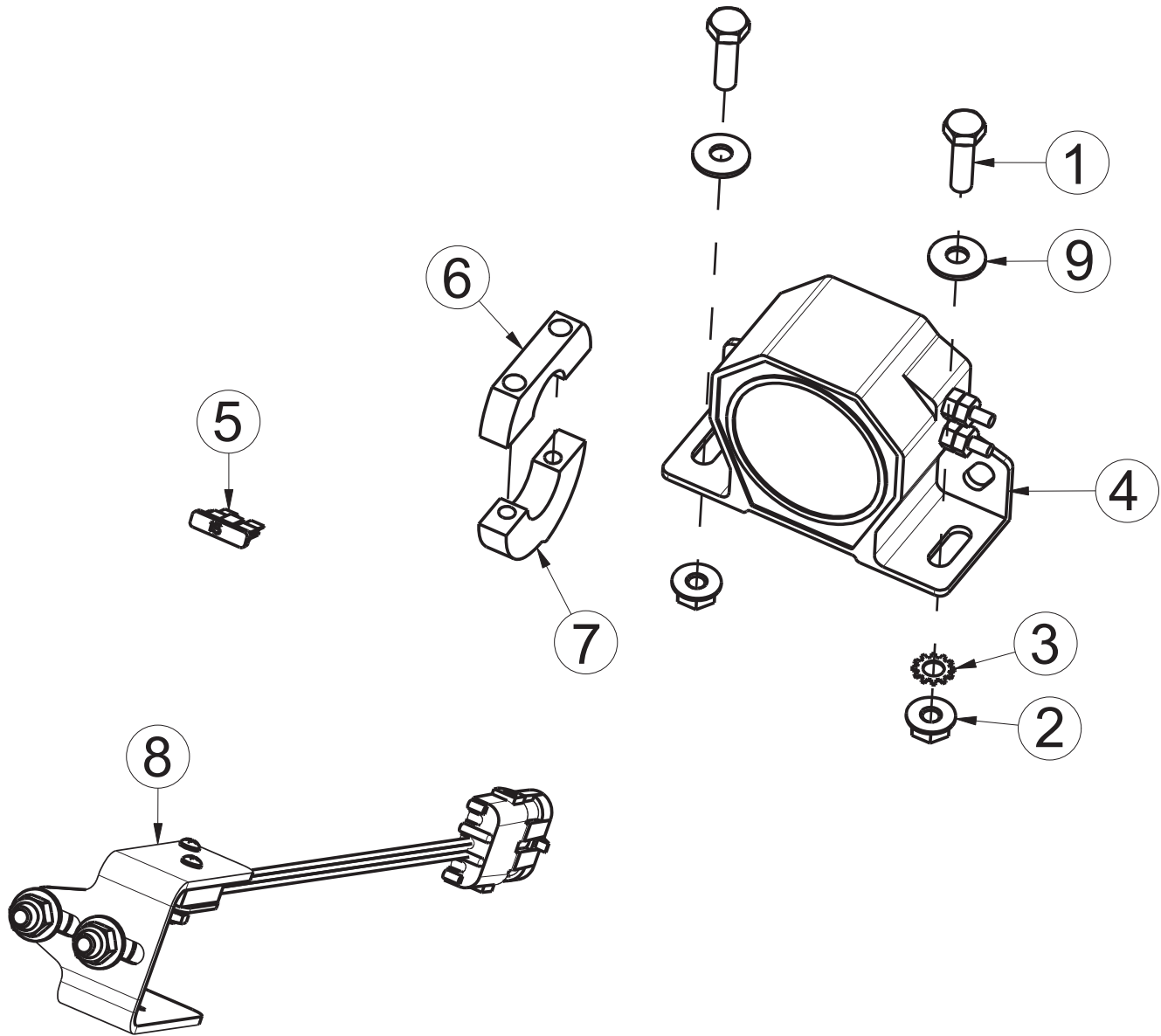
OPT - CE BACKUP ALARM & NEUTRAL SAFETY SWITCH (3317306P)

ASSEMBLE SWITCHES AND BRACKET AS SHOWN BELOW



OPT - CE BACKUP ALARM & NEUTRAL SAFETY SWITCH (3317306P)		
PART NO.	REQ'D	DESCRIPTION
3303002	1	HORN-BACK UP, 97 db(A), 12VDC (NOT SHOWN)
3322601	1	FUSE-15 AMP AUTOMOTIVE PUSH IN (NOT SHOWN)
3335222	3	CAM-SWITCH, LOWER THRTL POS (NOT SHOWN)
3335223	3	CAM-SWITCH, UPPER, BACKUP (NOT SHOWN)
749067	1	HARNESS ASSY, NEUTRAL SAFE (NOT SHOWN)
749066	2	SWITCH ASSY, ROLLER LEVER
711304	2	NUT-HEX 8-32 ZP
711502	1	WASHER-FLAT #8 ZP
711542	1	WASHER-LOCK #8 SPLIT ZP
620136	2	SCR-HH 8-32 X 1.25 ZP
3401433	2	SCR-PHMS 5-40 X 0.75 ZP
3335560-1	1	MNT-SWITCH POS, FWD/REV, 1900
749068	1	HARNESS ASSY, BACKUP ALARM
747021	1	CONNECTOR-PACKARD 3 PIN MALE

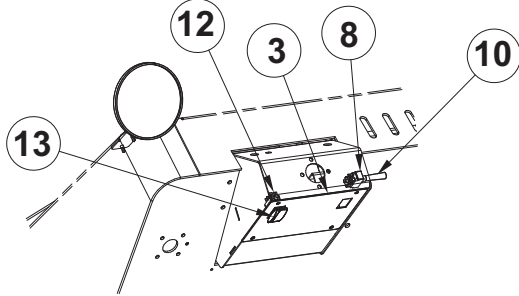
OPT - BACKUP ALARM & NEUTRAL SAFETY SWITCH (3317306)



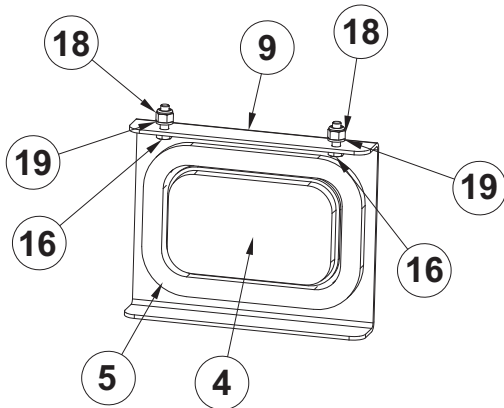
OPT - BACKUP ALARM & NEUTRAL SAFETY SWITCH (3317306)			
ITEM	PART NO.	REQ'D	DESCRIPTION
1	713002	2	SCR-HH 1/4-20 X .75 ZP 5
2	711425	2	NUT-FLANGED WIZZ 1/4-20 ZP
3	711564	1	WASHER-EXT LOCK 1/4 ZP
4	3303002	1	HORN-BACK UP, 97 db(A), 12VDC
5	3322601	1	FUSE-15 AMP AUTOMOTIVE PUSH IN
6	3335222	1	CAM-SWITCH, LOWER THRTL POS
7	3335223	1	CAM-SWITCH, UPPER, BACKUP
8	3337850	1	ASSY - BACKUP ALARM SWITCH, ARMADILLO
9	3400383	2	WASHER-CONICAL SPRING 1/4
10	749068	1	HARNESS ASSY, BACKUP ALARM

OPT - DIRECTIONAL LIGHTING, FOUR WAY FLASHERS, AND REAR MIRRORS (690540)

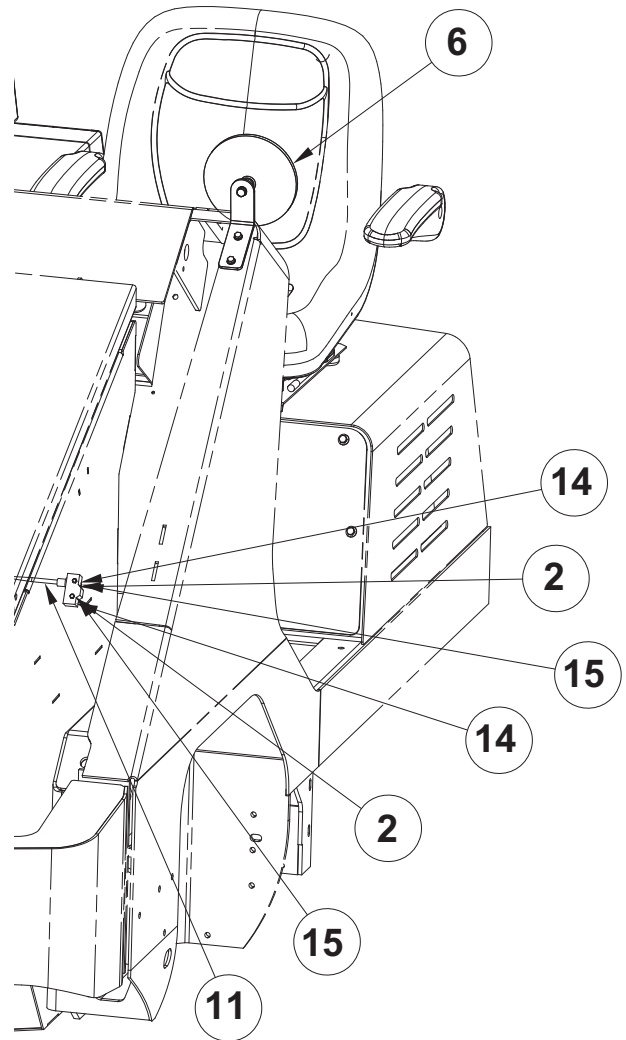
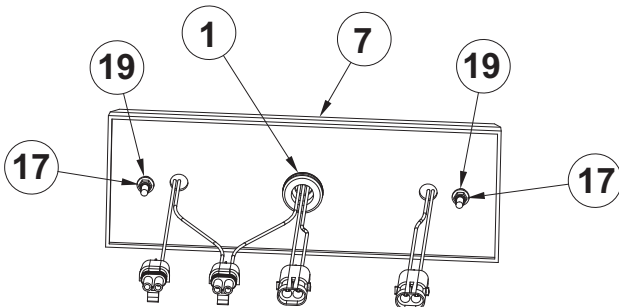
CONSOLE



FRONT LIGHTS



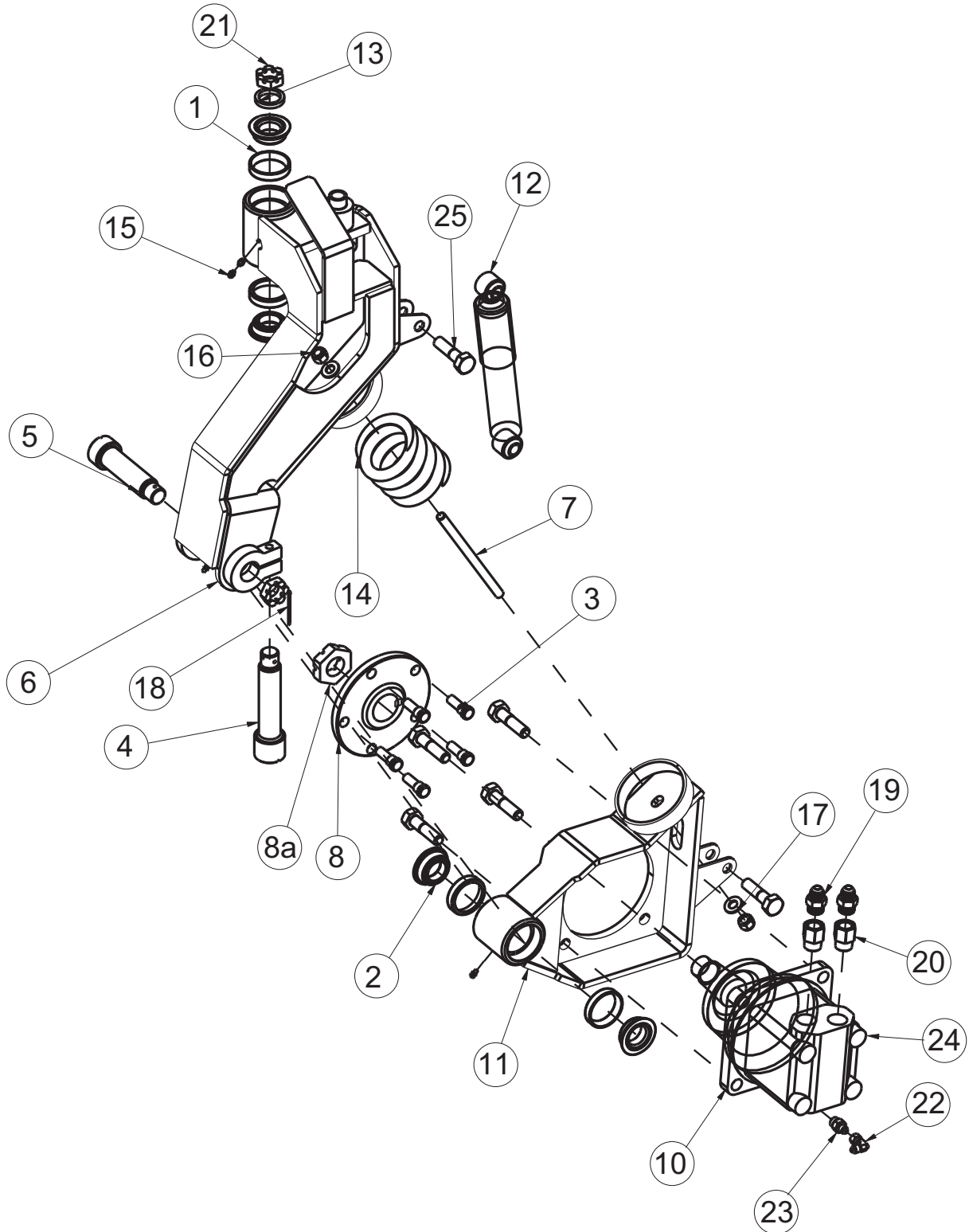
REAR LIGHTS



**OPT -DIRECTIONAL LIGHTING, FOUR WAY FLASHERS,
AND REAR MIRRORS GROUP (690540)**

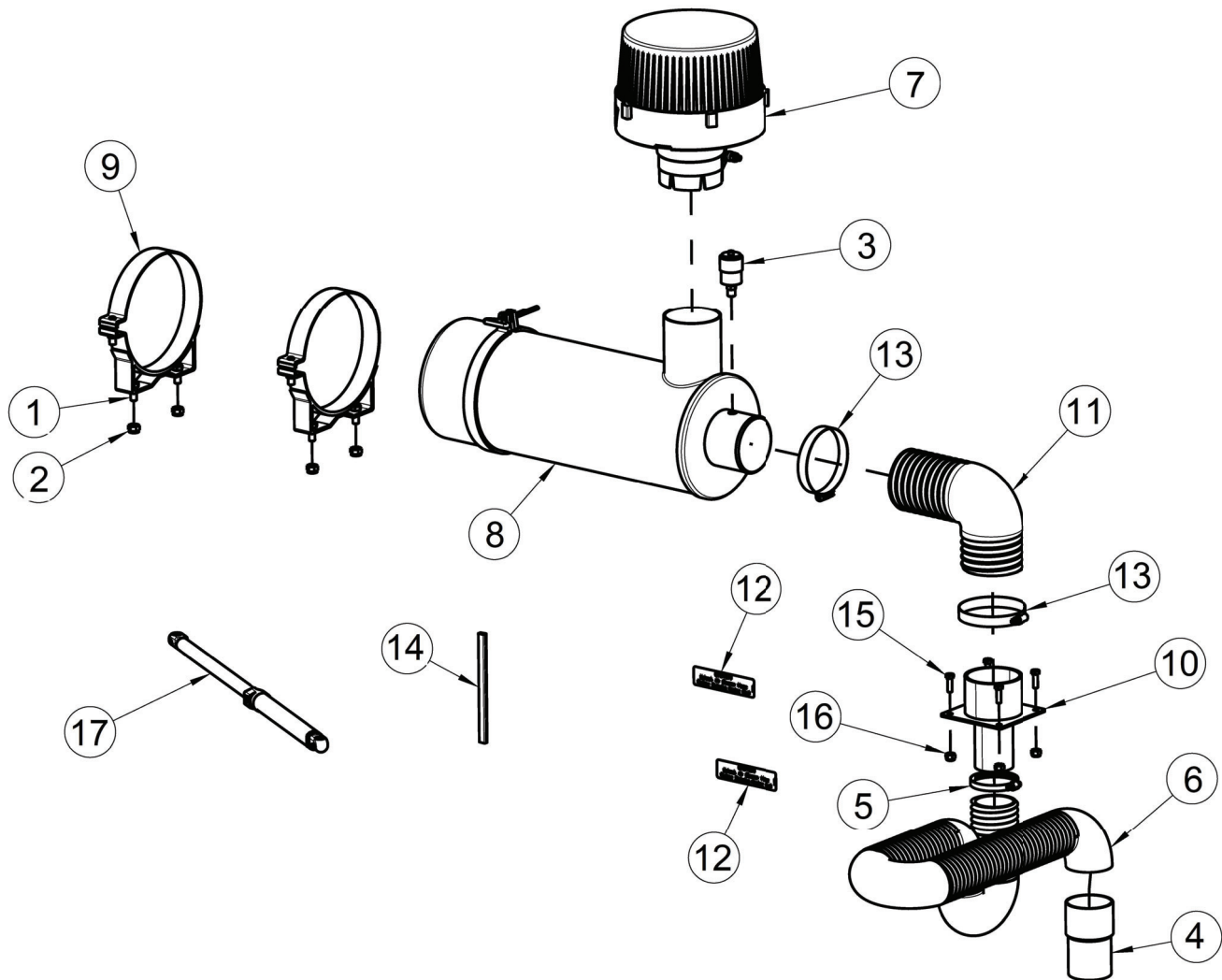
ITEM	PART NO.	REQ'D	DESCRIPTION
1	260274	2	GROMMET Z-421
2	620136	2	SCR-HH 8-32 X 1.25 ZP
3	690396	1	COVER-PLT, TILT STEERING, 9X, (CUTOUTS)
4	690535-1	2	ASSY, AMBER LED 5", FRONT TURN SIGNAL
5	690536	2	MOUNTING GROMMET
6	690540-1	1	LEFT-HAND REAR VIEW MIRRORS (SET OF 2)
7	690543-1	1	LIGHT ASSY, LED REAR COMBO (SET OF 2)
8	690546	1	SWITCH, TOGGLE, TURN SIGNAL
9	690621	2	MOUNT, RUNNING LIGHT
10	748301	1	TOGGLE HANDLE EXTENSION
11	3342546	1	SWITCH-12V WHISKER
12	3342705	1	SWITCH-BASE, DPST CONTURA ROCKER
13	3344038	1	COVER-SWITCH ROCKER BLACK NO LENS
14	711372	2	NUT-NYLOC 8-32 ZP
15	711502	2	WASHER-FLAT #8 X .438 ZP
16	11038098	4	SCR-HH M6-1.0 X 20 ZP CLASS 8.8 DIN
17	12040036	4	NUT-NYLOC M5 X 0.8 ZD CLASS 6
18	12040044	4	NUT-NYLOC M6 X 1.0 ZP CLASS 6
19	12310033	8	WASHER-FLAT M6.4 X 12 X 1.6 ZP

OPT - POWERFLEX (3322125)



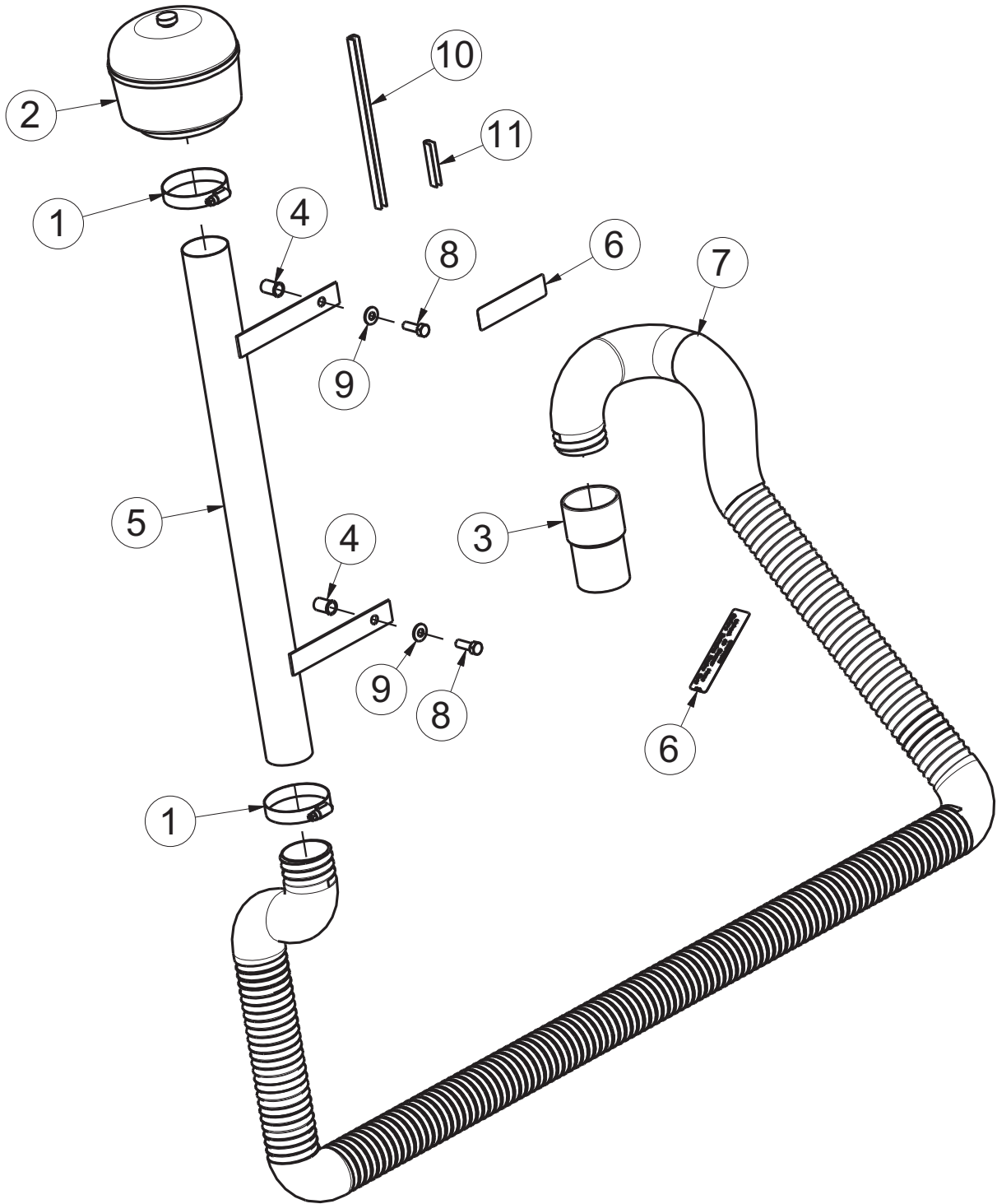
OPT - POWERFLEX (3322125)			
ITEM	PART NO.	REQ'D	DESCRIPTION
1	3300470	4	BEARING- TAPERED ROL CUP
2	3300471	4	BEARING- TAPERED ROLCONE W/SEAL
3	3307348	5	STUD - WHEEL, 1/2- 20X 1. 63 (REAR SW/A)
4	3307349P	1	PIN - REAR FORK SW/A
5	3309790	1	PIN-KNEE POWERHEX FABRCATED
6	3316888	1	WELDMENT - STEERING FORK
7	3319410	1	ROD-TENSION POWER FLEX
8	3321150	1	HUB-RE AR ARMA OMTW SERIES
8a		1	NUT-MOTOR-DRIVE ARMA OMTW SERIES
10	3321151	1	MOTOR -DR IVE ARMA OMTW SERIES
11	3321170	1	MNT-MOTOR P-FLEX SW9X/10X
12	3321176	1	SHOCK ABSORBER-POWER HEX
13	3337860	1	SPACER. STEER ING.FORK
14	3350209	1	SPRING-POWER FLEX ARMA
15	3400012	4	FTG-GREASE 3/16 DR IVE
16	711376	2	NUT-HEX 1/2- 13 ES ZP
17	3400086	2	WASHER-FLAT 112 STANDARD ZP
18	3400122	1	COTTER PIN 1/8 X 2
19	675524	2	FTG-ORFS STR THD -8 -8 SAE
20	3400167	2	FTG-ADAPTER 1 1/6-12 EXT TO
21	3400223	2	NUT-SLOTTED, 1 - 20 UNEF
22	675739	1	FTG-ORFS 90 ELBOW SWIVEL NUT -4 -4 SAE
23	675511	1	FTG-ORFS STR THD -4 -6 SAE
24	3400485	4	SCR - HHM 5/8 - 11 X 2.5 ZP
25	713601	2	SCR-HH 5/8-11 X 2.75 ZP YEL GR 8

OPT - AIR CLEANER, HEAVY DUTY (3331034)



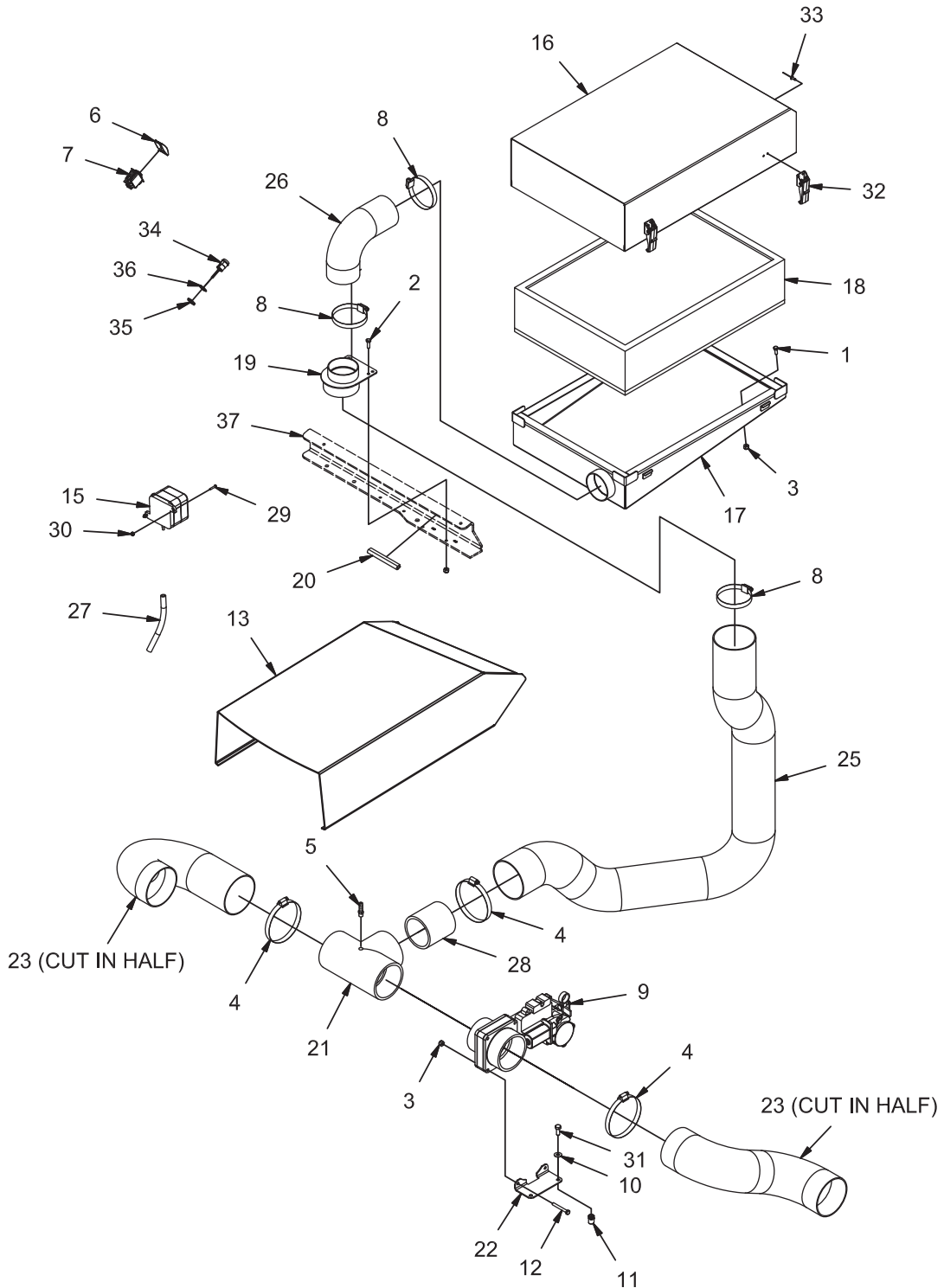
OPT - AIR CLEANER, HEAVY DUTY (3331034)			
ITEM	PART NO.	REQ'D	DESCRIPTION
1	711228	4	SCR-HH 5/16-18 X .75 ZP GR 5
2	711374	4	NUT-NYLOC 5/16-18 ZP
3	3303991	1	INDICATOR-AIR CLEANER RESTRICTION
4	3311797	1	CUFF-HOSE 2" X 2"
5	3312189	1	CLAMP - SCREW 1.25" to 2.25" DIA 201SS
6	3317909	1	HOSE-2" DIA X 36" LONG
7	3331035	1	AIR CLEANER-TURBO 3 MODEL HEAVY DUTY
8	3331036	1	AIR CLEANER-HEAVY DUTY(METAL)
9	3331037	2	CLAMP-HD AIR CLEANER
10	3332508	1	AIR HOSE CONNECTOR 2" DIA
11	3332509	1	HOSE-3" ID X 18" LG, HD AIR CLEANER
12	3333769	2	DECAL-UNHOOK AIR CLEANER HOSE B4 ENG SWV
13	3343273	2	CLAMP-HOSE 3.5
14	3500118	.5 FT	EDGING-VINYL TRIM 1/8" X 250'
15	11038098	4	SCR-HH M6-1.0 X 20 ZP CLASS 8.8 DIN
16	12040044	4	NUT-NYLOC M6 X 1.0 ZP CLASS 6
17	690801L	1	SPRING-GAS 8" STRK, 20" (140LBF) LOCK

OPT - AIR CLEANER, EXTERNAL AUX OVERHEAD GUARD (3331338)



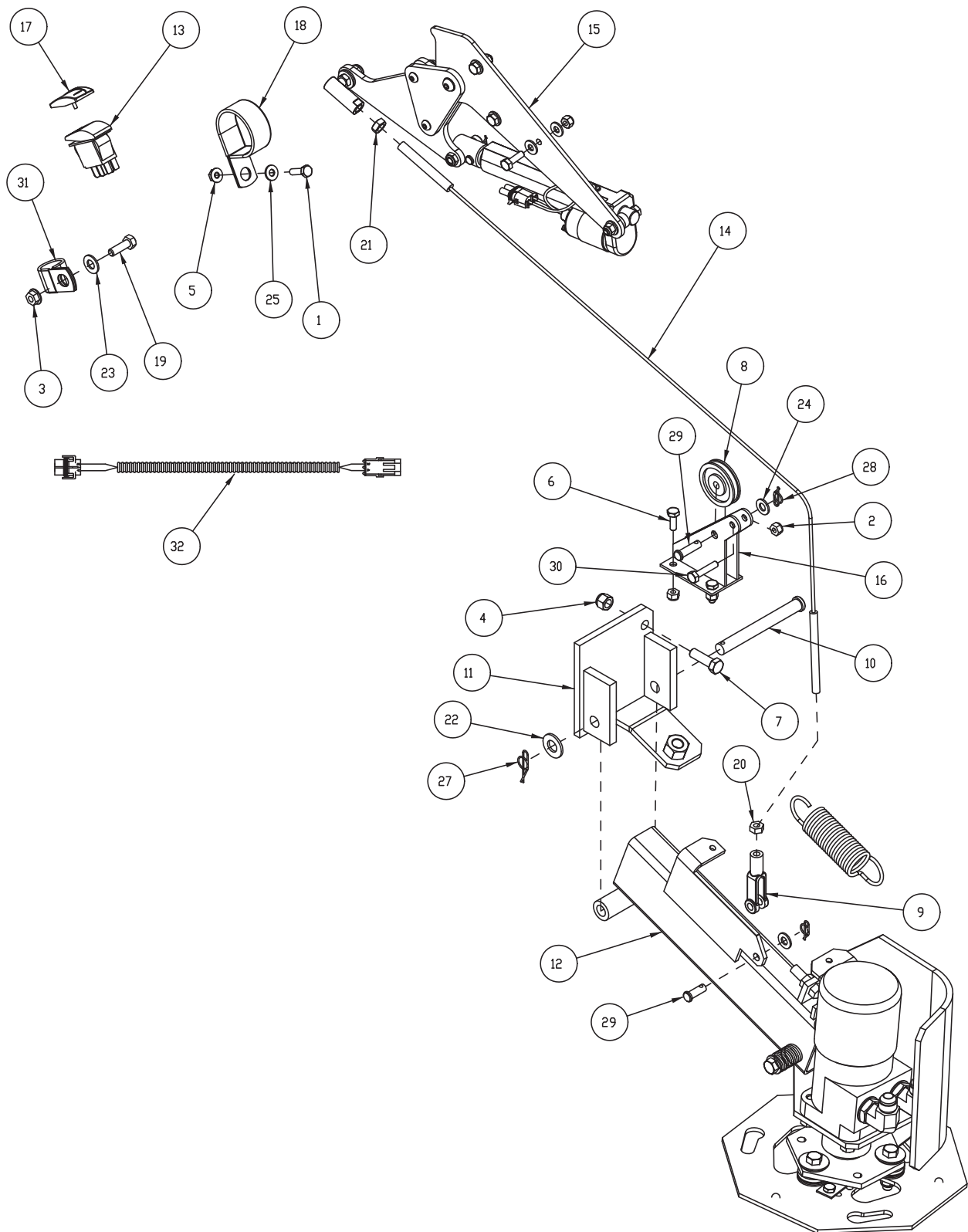
OPT - AIR CLEANER, EXTERNAL AUX OVERHEAD GUARD (3331338)			
ITEM	PART NO.	REQ'D	DESCRIPTION
1	3300336	2	CLAMP-HOSE 3" MAX SS
2	3303887	1	PRE-CLEANER-DONALDSON AIR CLNR
3	3311797	1	CUFF-HOSE 2" X 2"
4	3322187	2	INSERT-5/16-18 UNC, GRIP RANGE .150-.312
5	3331337	1	MNT EXTRNL AUX SW/A OHG
6	3333769	2	DECAL-UNHOOK AIR CLEANER HOSE B4 ENG SWV
7	3342991	1	HOSE-INTK EXT AUX SW/A OHG/90" LGTH
8	3400035	2	SCR-HH 5/16-18 X 1.00 ZP GR 5
9	3400384	2	WASHER-CONICAL SPRING 5/16
10	3500116	1	EDGING-VINYL 5/16
11	3500117	1	EDGING-VINYL TRIM 3/16" X 250'

OPT - MERV 17 FILTER GROUP (690697)



OPT - MERV 17 FILTER GROUP (690697)			
ITEM	PART NO.	REQ'D	DESCRIPTION
1	11038072	4	SCR-HH M6-1.0 X 16 ZP CLASS 8.8
2	11038098	2	SCR-HH M6-1.0 X 20 ZP CLASS 8.8 DIN
3	12040044	8	NUT-NYLOC M6 X 1.0 ZP CLASS 6
4	3300351	3	CLAMP - SCREW 3" to 5" DIA 201SS
5	3401672	1	FTG-ADAPTER 1/8 HB BRASS X 1/4 MPT
6	3342273	1	COVER-SWITCH, CARLING, BLACK W/LENS
7	3332713	1	SWITCH-DOUBLE SCRUB BROOM
8	3343273	3	CLAMP-HOSE 3.5
9	3345044-1	1	VALVE ASSY, ACTUATED GATE
10	3400384	2	WASHER-CONICAL SPRING 5/16
11	600852	2	INSERT-M8-1.25 .188 GRIP ZP
12	600953	2	SCR-HH M6-1.00 X 50 SS
13	REF	1	TOP COVER
15	690083-2	1	HARN ASSY, SWITCH, DIFF PRESS, MERV
16	690636	1	WELDMENT, FILTER COVER
17	690640	1	WELDMENT, FILTER BASE
18	690642	1	Filter, MERV 17
19	690645	1	WELDMENT, HOSE ADAPTER
20	690648	1	EDGING, 3/16 X 4.0"
21	690662-1	1	MERV FILTER TEE
22	690663	1	MOUNT, VALVE
23	600574	1	HOSE 4.00 IMPELLER
25	690668	1	HOSE, 4.00 IMPELLER TO VALVE
26	690669	1	HOSE, 3.00 FILTER, 9 FT
27	690671	1	TUBING, .313 ID REINFORCED
28	690676	1	TUBE, 3.00 PVC X 3.50 SCH 40
29	710305	2	SCR-PHMS 6-32 X .75 ZP
30	711371	2	NUT-NYLOC 6-32 ZP
31	717024	2	SCR-HH M8-1.25 X 20 ZP GRADE 8.8
32	730652	4	LATCH, UNDER CENTER
33	730654	8	RIVET-BLIND 5/32 .125 GRIP SS
34	3342905	1	ASSY- INDICATOR LIGHT RED W/PACKARDTERMS

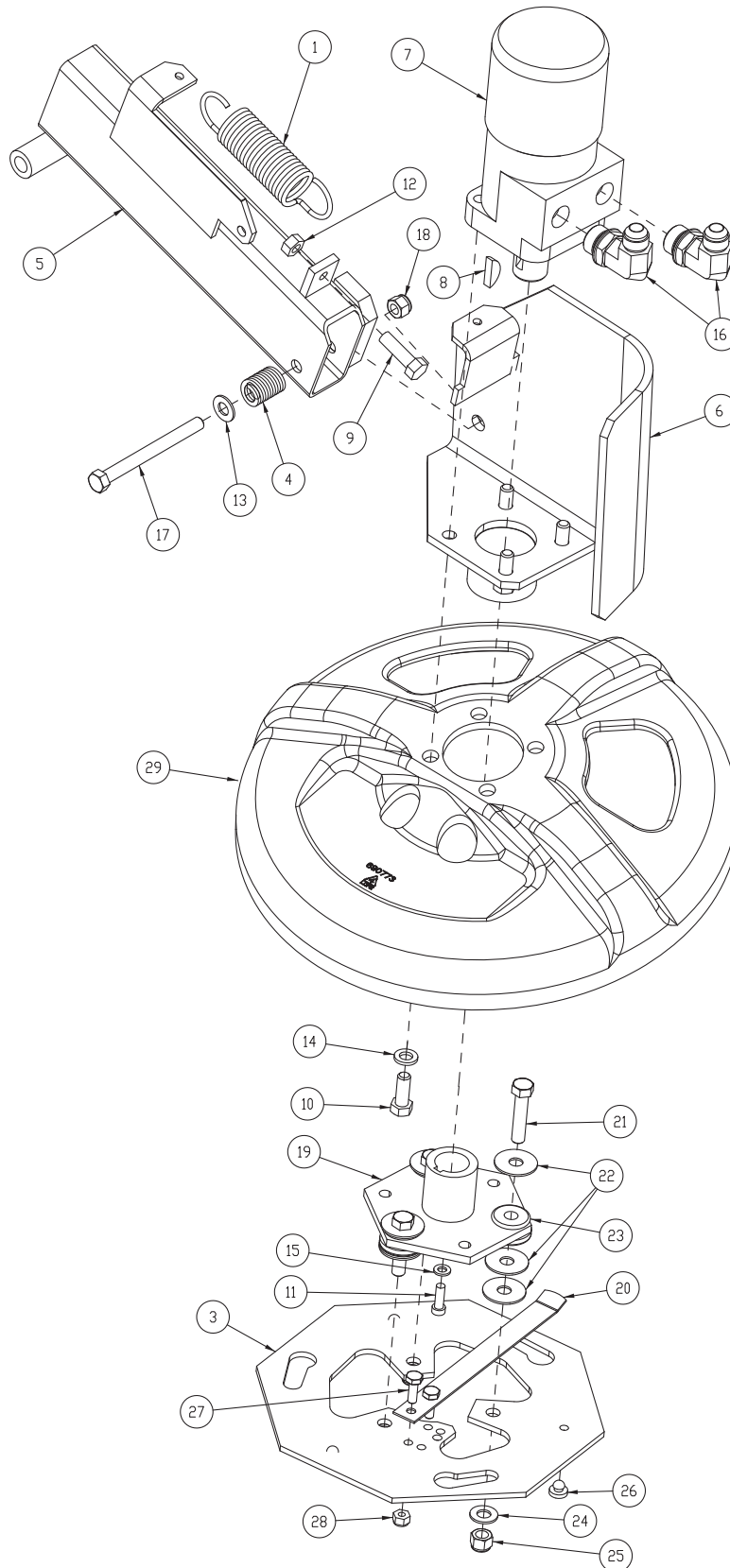
OPT - LH CURB BROOM KIT ASSEMBLY (3338666)



OPT - LH CURB BROOM KIT ASSEMBLY (3338666)

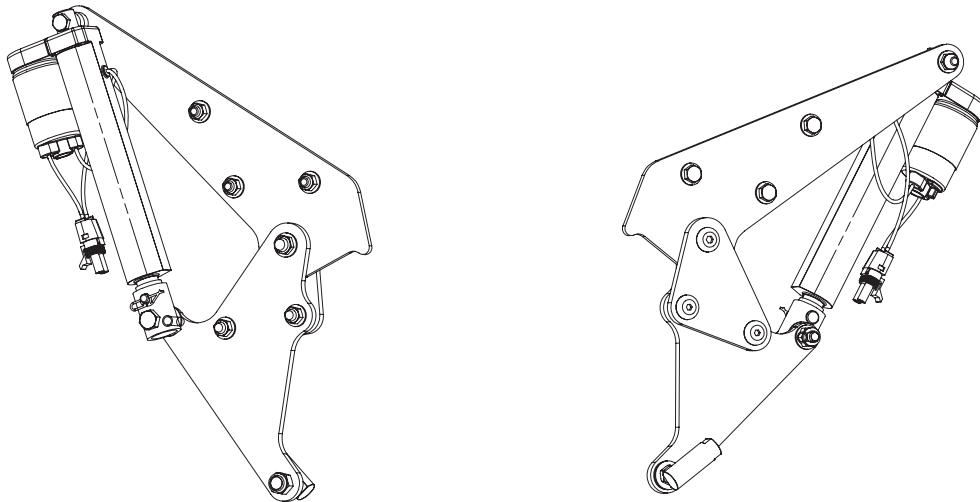
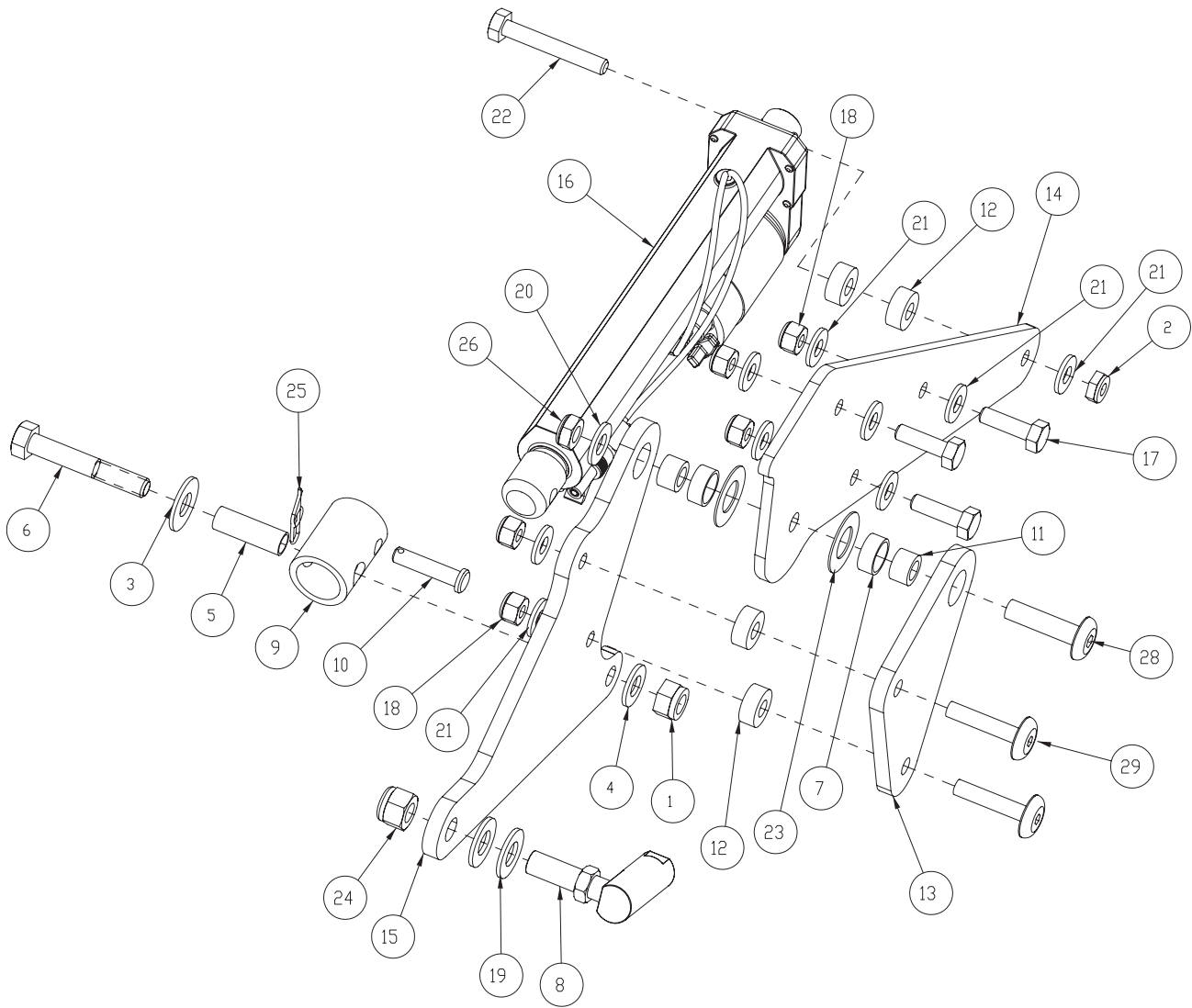
ITEM	PART NO.	REQ'D	DESCRIPTION
1	711206	1	BLT-HH 1/4-20 X .87 STL ZINC
2	711373	3	NUT-NYLOC 1/4-20
3	711379	1	NUT-FLANGED WIZZ 5/16-18
4	711380	2	NUT-NYLOC 3/8-16
5	711425	1	NUT-FLANGED WIZZ 1/4-20 STL ZP
6	713002	2	BLT-HH 1/4-20 X .75 #5 ZINC
7	713043	2	BLT-HH 3/8-16 X 1.25 #5
8	3300368	1	PULLEY-PLASTIC 2" x .25" GROOVE
9	3307642	1	CLEVIS-5/16 PLTD SW/A
10	620027	1	PIN-CLEVIS 1/2 X 4.50 ZP
11	3317214P	1	MNT-DUAL CURB BROOM PNTD
12	3319421	1	ASSY-DUAL CURB BROOM (SEE DETAIL ON FOLLOWING PAGES)
13	3332713	1	SWITCH-DOUBLE SCRUB BROOM
14	3334946	1	CABLE-SIDE BROOM, 33" LG, 1/8"D
15	3335420	1	ASSY- SIDE BROOM LIFT LH
16	3335422	1	WELD-PULLEY LH SIDE BROOM
17	3342273	1	COVER-SWITCH, CARLING, BLACK W/LENS
18	3343539	1	CLAMP-P TYPE, 2 DIA
19	3400035	1	SCR-HEX,5/16-18X1.00 ZP
20	711322	1	NUT-HEX 5/16-24 ZP
21	3400075	1	NUT-HEX JAM 3/8-24 ZP
22	3400086	1	WASHER-FLAT 1/2 STANDARD ZP
23	712301	1	WASHER-FLAT 3/8 STANDARD ZP
24	711506	2	WASHER-FLAT 5/16 IDx.688 ODx.065 THK
25	711505	1	WASHER-FLAT 1/4 STANDARD ZP
27	3400124	1	PIN-COTTER 5/8 RUE-RING
28	3400125	2	RING-RUE 3/8 COTTER PIN
29	3400184	2	PIN-CLEVIS 5/16 X 1-1/8 ZP
30	3400227	1	SCR-HEX,1/4-20X1.25 ZP
31	3400999	1	CLAMP-HOSE 1-1/8" DIA STEEL VINYL COATE
32	3317219P	1	HARNES-DUAL CURB BRM, 9X
-	675427	1	HOSE-LH CB MTR IN TO RT CB OUT 170" (NOT SHOWN)
-	675428	1	HOSE-LH CB MTR OUT TO IMP TEE 100" (NOT SHOWN)
-	690262	1	DECAL, LEFT SIDE CURB BROOM - 9X (NOT SHOWN)
-			

DUAL CURB BROOM SUB-ASSEMBLY (3319421) INCLUDED IN OPTION 3338666



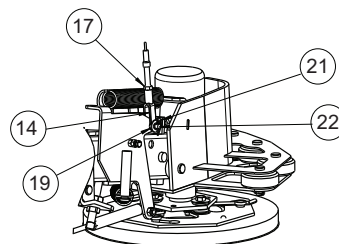
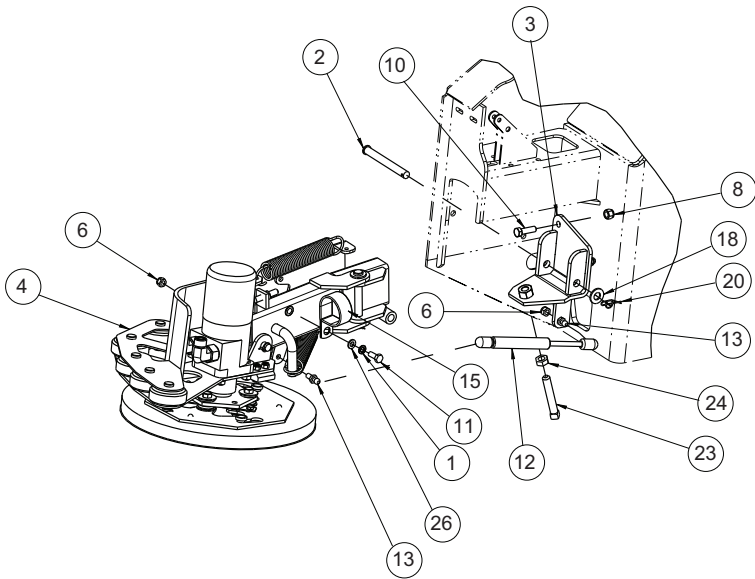
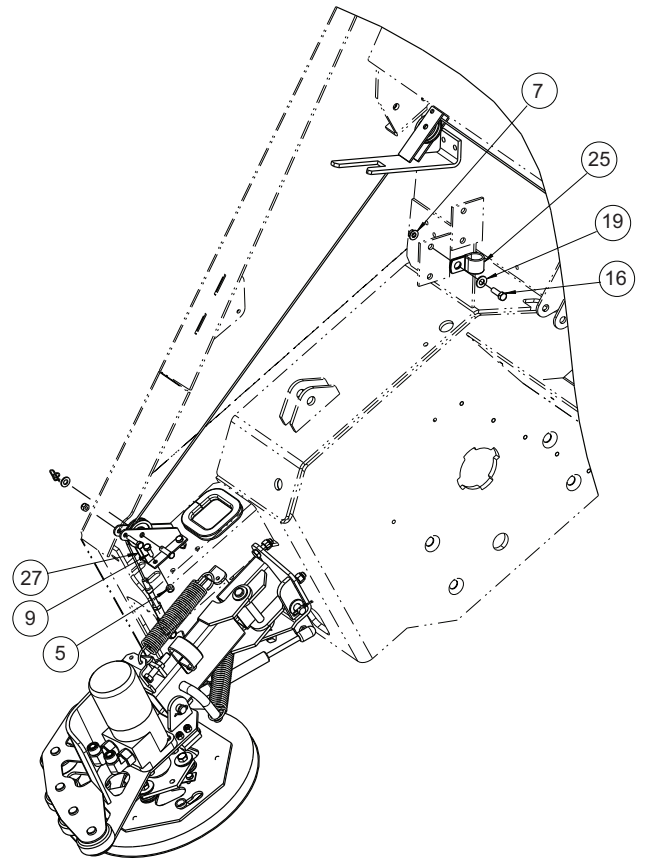
DUAL CURB BROOM SUB-ASSEMBLY (3319421)			
ITEM	PART NO.	REQ'D	DESCRIPTION
1	3302599	1	SPRING-EXT LOOPS-IN-LINE ZP
3	3301262	1	PLATE-GIMBAL SC HD
4	3306179	1	SPRING-COMPRESSION, CURB BROOM
5	3309778	1	LH CURB BROOM ARM PNTD
6	3309782	1	LH SIDE BROOM MOUNT PNTD
7	3316897	1	MOTOR-HYD CURB BRM
8	3330338	1	KEY-SHAFT D-FOSS CB/MB/SC MTRS (REPLACEMENT)
9	711250	1	SCR-HH 3/8-16 X 1.25 ZP GR 5
10	713042	4	SCR-HEX,3/8-16X1.00, GRADE 5, ZP
11	3400049	1	SCR-SOCKET HEAD,1/4-20X0.75 ZP NYLOCK
12	3400068	1	NUT-HEX 3/8-16 ZP
13	712301	1	WASHER-FLAT 3/8 STANDARD ZP
14	711546	4	WASHER-LOCK 3/8 SPLIT ZP
15	711544	1	WASHER-LOCK 1/4 SPLIT ZP
16	675528	2	FTG-STR THD ELBOW -8 ORFS TO -10 SAE
17	3400258	1	SCR-HEX,3/8-24X4.00 ZP
18	3400342	1	NUT-HEX 3/8-24 ES ZP
19	3300875	1	DRIVE HUB SC BR
20	3302058	1	BAR-CURB BROOM RETAINER
21	3400027	3	SCR-HEX,3/8-16X1.75 ZP
22	3400278	9	WASHER-FENDER 3/8
23	3300465	3	ISOLATOR-RUBBER (.375IDx.81OD)
24	712301	3	WASHER-FLAT 3/8 STANDARD ZP
25	711380	3	NUT-NYLOC 3/8-16
26	3300526	3	BUMPER-RUBBER 1/4IDx1/8 THK
27	713002	2	BLT-HH 1/4-20 X .75 #5 ZINC
28	711373	2	NUT-NYLOC 1/4-20
29	690773	1	SHROUD, SIDE BROOM

SIDE BROOM LIFT LH (3335420) INCLUDED IN OPTION 3338666



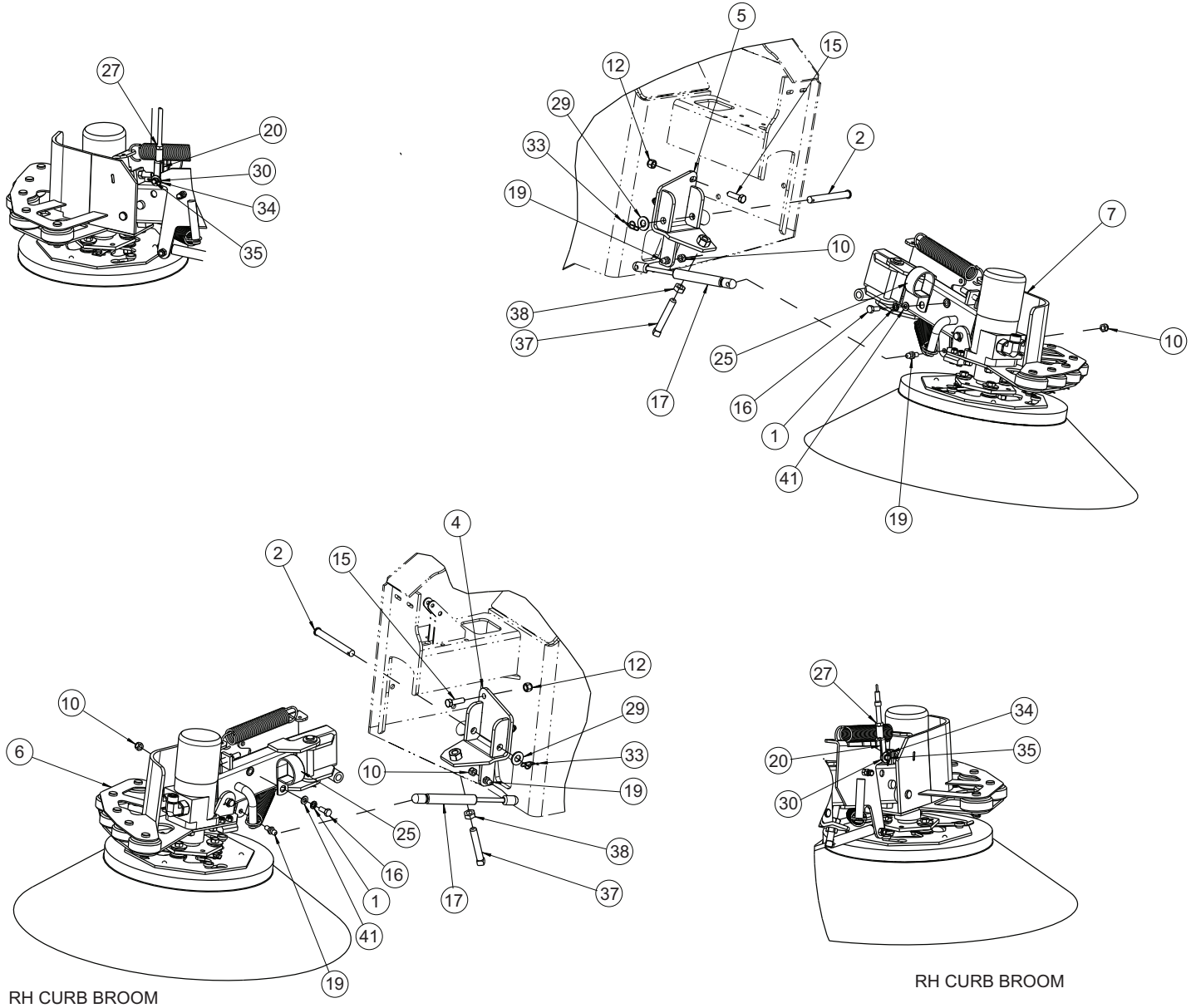
SIDE BROOM LIFT LH (3335420)			
ITEM	PART NO.	REQ'D	DESCRIPTION
1	711374	1	NUT -NYLOC 5 /16-18
2	711387	1	NUT -NYLOC 1/4-20 112 NUT
3	711569	1	WASHER-FLAT .390 X .880 X .062 NYL
4	712333	1	WASHER-FLAT 5/16 SS
5	713104	1	BUSHING, SLEEVE, 3/8
6	713107	1	GRD 9 ZP
7	3300431	2	BUSHING-.499 ID X . 594 DD C X. 250
8	3300461	1	BALL JOINT
9	690912	1	SLEEVE, ACTUATOR (1" X 14 GA)
10	3318887	1	PIN-CLEVIS 1/4 X 1-1/ 8
11	3335273	2	SPACER -.32 ID X .499 DD x .31 LG
12	3335274	4	SPACER -.28 ID X . 625 DD x . 26 LG
13	3335275	1	PLATE-SUPPORT SB LIFT
14	3335372	1	MOUNT - PIVOT SIDE BROOM
15	3335373	1	PLATE - PIVOT SIDE BROOM
16	3336595	1	ACTUATOR-DUAL BROOM- 12VDC WEATHERPACK
17	711206	3	SCR-HH 1/4-20 X .87 ZP GR 5
18	711373	5	NUT-NYLOC 1/4-20 ZP
19	712301	2	WASHER-FLAT 3/8 ZP
20	711506	1	WASHER-FLAT 5/16 X.688 X .065 ZP
21	711505	9	WASHER-FLAT 1/4 ZP
22	3400173	1	SCREW -HHM 1/4-20 X 1.75 LG ZP
23	3400178	2	BEARING-THRUST .531 ID X 1.00 DD
24	3400342	1	NUT -HEX 3/8-24 ES ZP
25	3400742	1	RUE RING-1/4 HEAVY ZP
26	3401098	1	NUT -HEX JAM 5/16-18 ES ZP
28	3401440	1	5/16-18 X 1.25 LG ZP
29	3401983	2	SCREW BH 1/4-20 X 1.25 LG

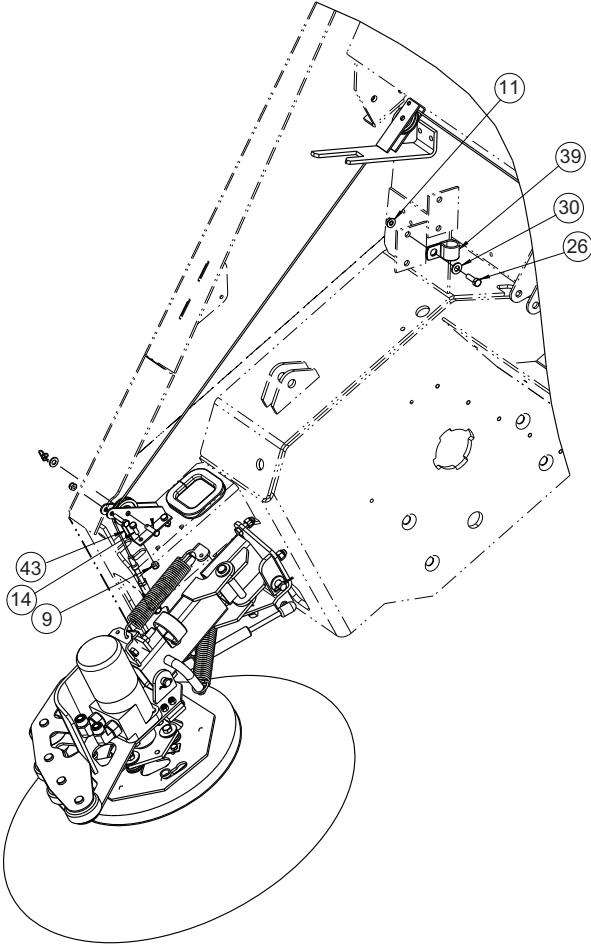
OPT - RETRACTABLE RH SIDE BROOM (690894)



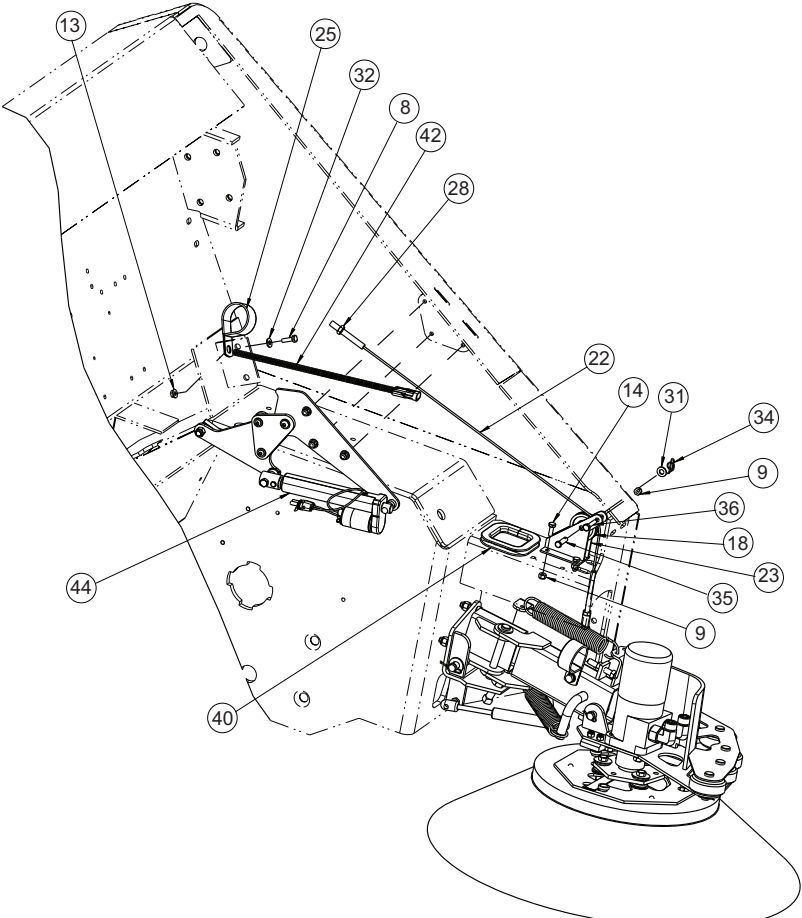
OPT - RETRACTABLE RH SIDE BROOM (690894)			
ITEM	PART NO.	REQ'D	DESCRIPTION
1	600959	1	WASHER-LOCK M8 ZINC SPLIT
2	620027	1	PIN-CLEVIS 1/2 X 4.50 ZP
3	690613	1	WELDMENT, RH SB MNT
4	690769	1	BROOM ASSY, DSB 9X RH (BREAK AWAY)
5	711373	2	NUT-NYLOC 1/4-20 ZP
6	711374	2	NUT-NYLOC 5/16-18 ZP
7	711379	1	NUT-FLANGED WIZZ 5/16-18 ZP
8	711380	2	NUT-NYLOC 3/8-16 ZP
9	713002	2	SCR-HH 1/4-20 X .75 ZP 5
10	713043	2	SCR-HH 3/8-16 X 1.25 PLAIN GR 5
11	717024	1	SCR-HH M8-1.25 X 20 ZP GRADE 8.8
12	730902	1	GAS STRUT, 8.77 EXT X 3.00 STK, 200N
13	3300376	2	STUD-BALL GAS SPR 5/16-18 THRD .391DIA.
14	3307642	1	CLEVIS-5/16 PLTD SW/A
15	3343539	1	CLAMP - WIRE & TUBE 2.0 DIA STEEL
16	3400035	1	SCR-HH 5/16-18 X 1.00 ZP GR 5
17	711322	1	NUT-HEX 5/16-24 ZP
18	3400086	1	WASHER-FLAT 1/2 ZP
19	712301	2	WASHER-FLAT 3/8 ZP
20	3400124	1	RING-RUE 5/8
21	3400125	1	RING-RUE 3/8
22	3400184	1	PIN-CLEVIS 5/16 X 1-1/8 ZP
23	3400404	1	SCR-SET 1/2-20 X 3.00 BLK OX CP SQUARE H
24	3400449	1	NUT-JAM 1/2-20 ZP
25	3400999	1	CLAMP - WIRE & TUBE 1.125 DIA STEEL
26	12310041	1	WASHER-FLAT M8.4 X 16 X 1.6 ZP
27	3335422RH	1	WELD-PULLEY RH SIDE BROOM
28	REFERENCE	1	FRAME

OPT - RETRACTABLE DUAL SIDE BROOMS (690889)

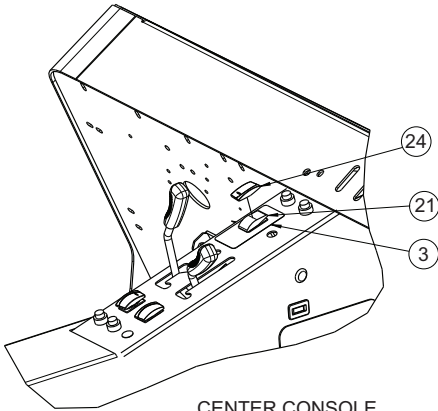




RH CURB BROOM



LH CURB BROOM



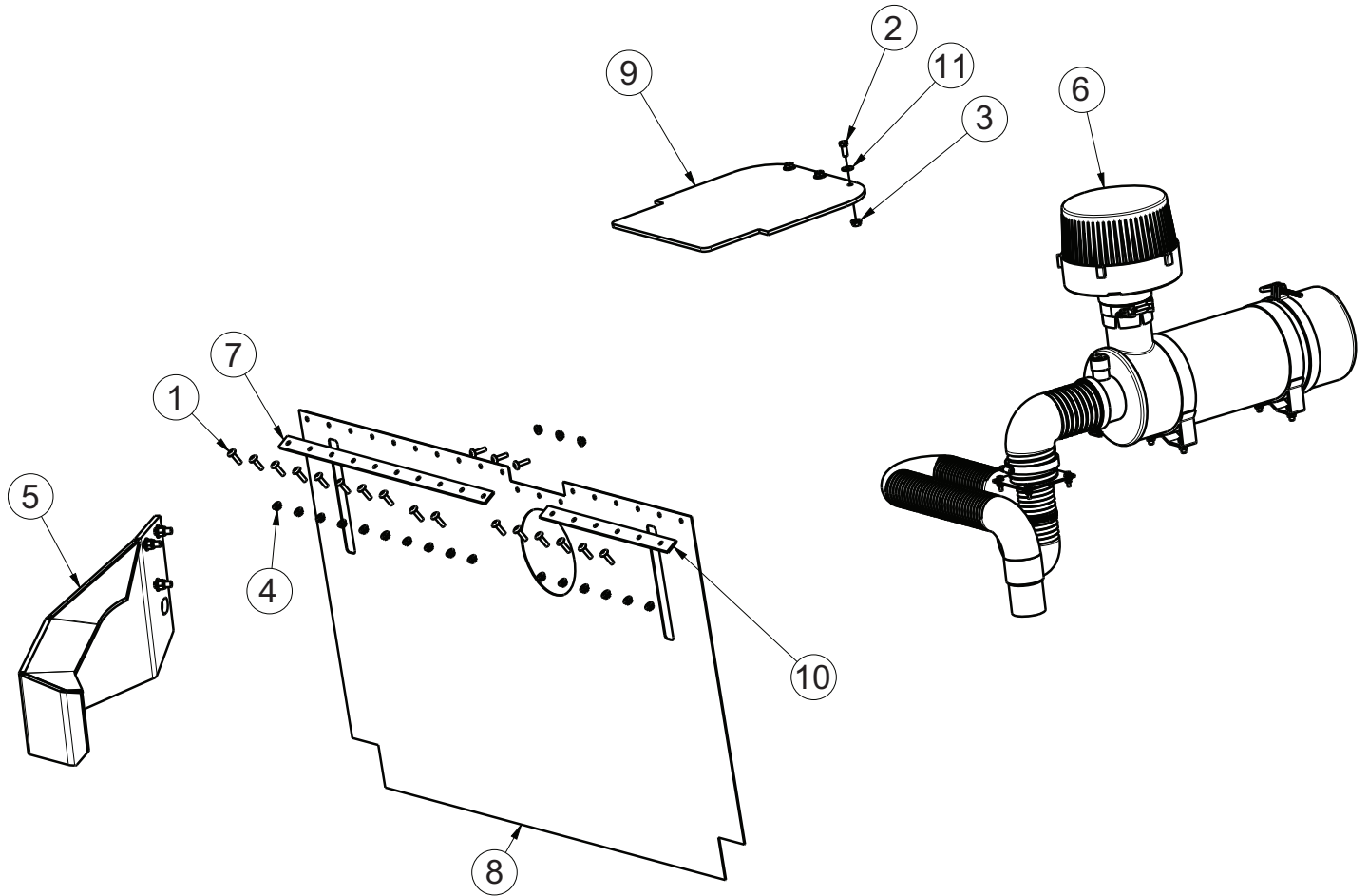
CENTER CONSOLE

OPT - RETRACTABLE RH SIDE BROOM (690889)			
ITEM	PART NO.	REQ'D	DESCRIPTION
2	620027	2	PIN-CLEVIS 1/2 X 4.50 ZP
3	690262	1	DECAL, LEFT SIDE CURB BROOM - 9X
4	690613	1	WELDMENT, RH SB MNT
5	690614	1	WELDMENT, LH SB MNT
6	690769	1	BROOM ASSY, DSB 9X RH (BREAK AWAY)
7	690890	1	BROOM ASSY, 9X LEFT SIDE (BREAK AWAY)
8	711206	1	SCR-HH 1/4-20 X .87 ZP GR 5
9	711373	5	NUT-NYLOC 1/4-20 ZP
10	711374	4	NUT-NYLOC 5/16-18 ZP
11	711379	1	NUT-FLANGED WIZZ 5/16-18 ZP
12	711380	4	NUT-NYLOC 3/8-16 ZP
13	711425	1	NUT-FLANGED WIZZ 1/4-20 ZP
14	713002	4	SCR-HH 1/4-20 X .75 ZP 5
15	713043	4	SCR-HH 3/8-16 X 1.25 PLAIN GR 5
16	717024	2	SCR-HH M8-1.25 X 20 ZP GRADE 8.8
17	730902	2	GAS STRUT, 8.77 EXT X 3.00 STK, 200N
18	3300368	1	PULLEY-PLASTIC 2" x .25" GROOVE
19	3300376	4	STUD-BALL GAS SPR 5/16-18 THRD .391DIA.
20	3307642	2	CLEVIS-5/16 PLTD SW/A
21	3332713	1	SWITCH-DOUBLE SCRUB BROOM
22	3334946	1	CABLE-SIDE BROOM, 33" LG, 1/8"D
23	3335422	1	WELD-PULLEY LH SIDE BROOM, 1900
24	3342273	1	COVER-SWITCH, CARLING, BLACK W/LENS
25	3343539	3	CLAMP - WIRE & TUBE 2.0 DIA STEEL
26	3400035	1	SCR-HH 5/16-18 X 1.00 ZP GR 5
27	711322	2	NUT-HEX 5/16-24 ZP
28	3400075	1	NUT-JAM 3/8-24 ZP
29	3400086	2	WASHER-FLAT 1/2 ZP
30	712301	3	WASHER-FLAT 3/8 ZP
31	711506	1	WASHER-FLAT 5/16 X.688 X .065 ZP
32	711505	1	WASHER-FLAT 1/4 ZP
33	3400124	2	RING-RUE 5/8
34	3400125	3	RING-RUE 3/8
35	3400184	3	PIN-CLEVIS 5/16 X 1-1/8 ZP
36	3400227	1	SCR-HH 1/4-20 X 1.25 ZP GR 5
37	3400404	2	SCR-SET 1/2-20 X 3.00 BLK OX CP SQUARE H
38	3400449	2	NUT-JAM 1/2-20 ZP

OPT - RETRACTABLE RH SIDE BROOM (690889)

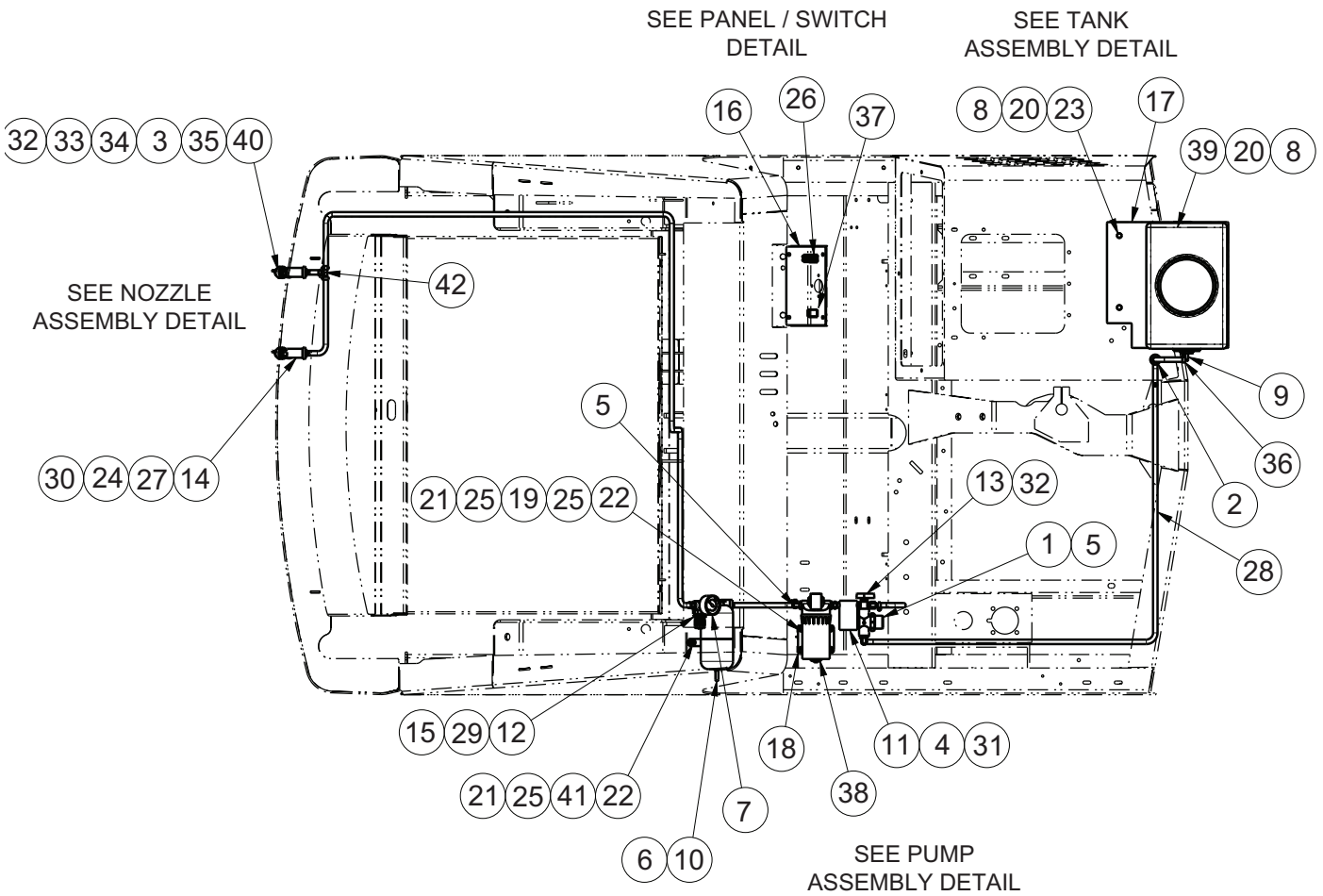
ITEM	PART NO.	REQ'D	DESCRIPTION
39	3400999	1	CLAMP - WIRE & TUBE 1.125 DIA STEEL
40	3500116	1	EDGING-VINYL 5/16
41	12310041	2	WASHER-FLAT M8.4 X 16 X 1.6 ZP
42	3317219P	1	HARNESS-DUAL CURB BRM, AM9D
43	3335422RH	1	WELD-PULLEY RH SIDE BROOM
44	690768LH	1	ASSY - ACTUATOR LH 9X
45	REFERENCE	1	FRAME

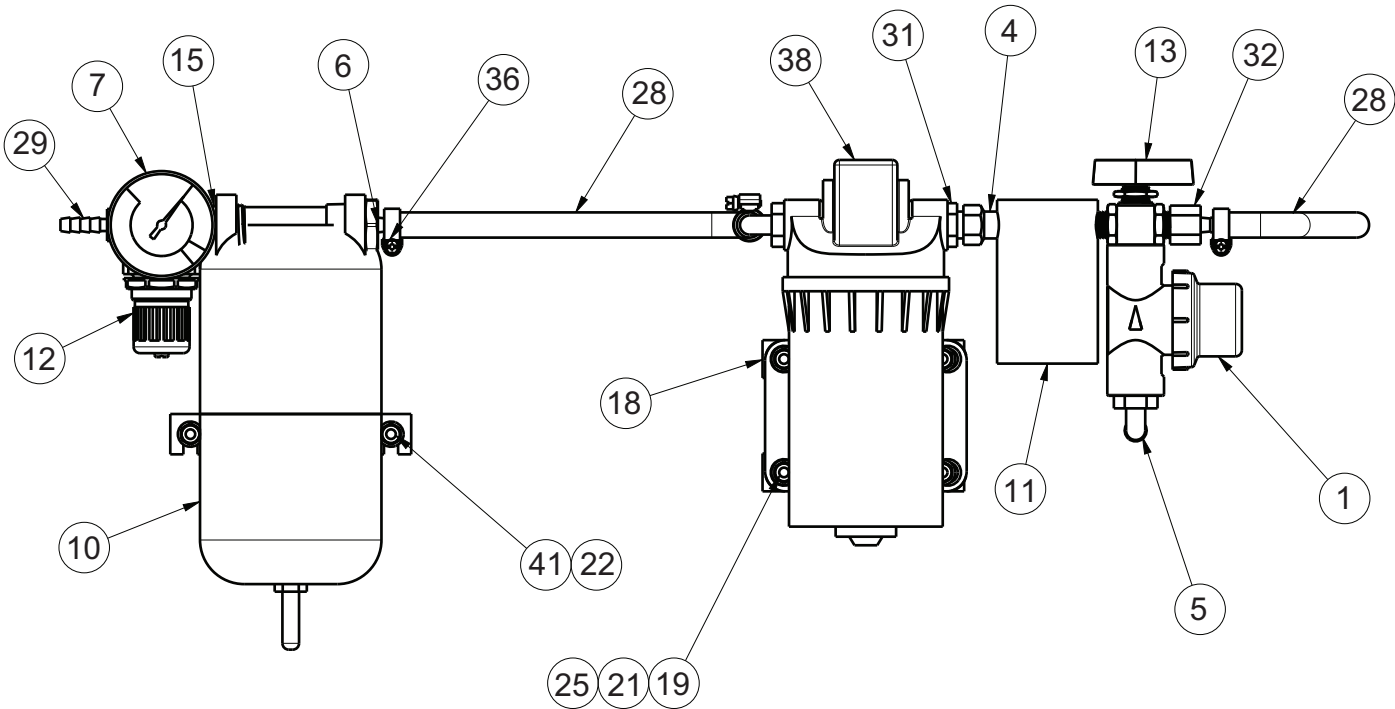
OPT - EXTREME ENVIRONMENT DUST COVER (3334437)



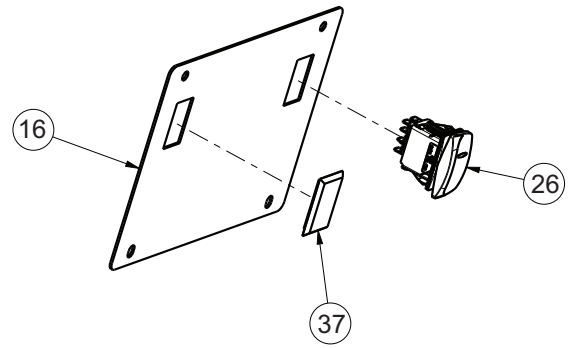
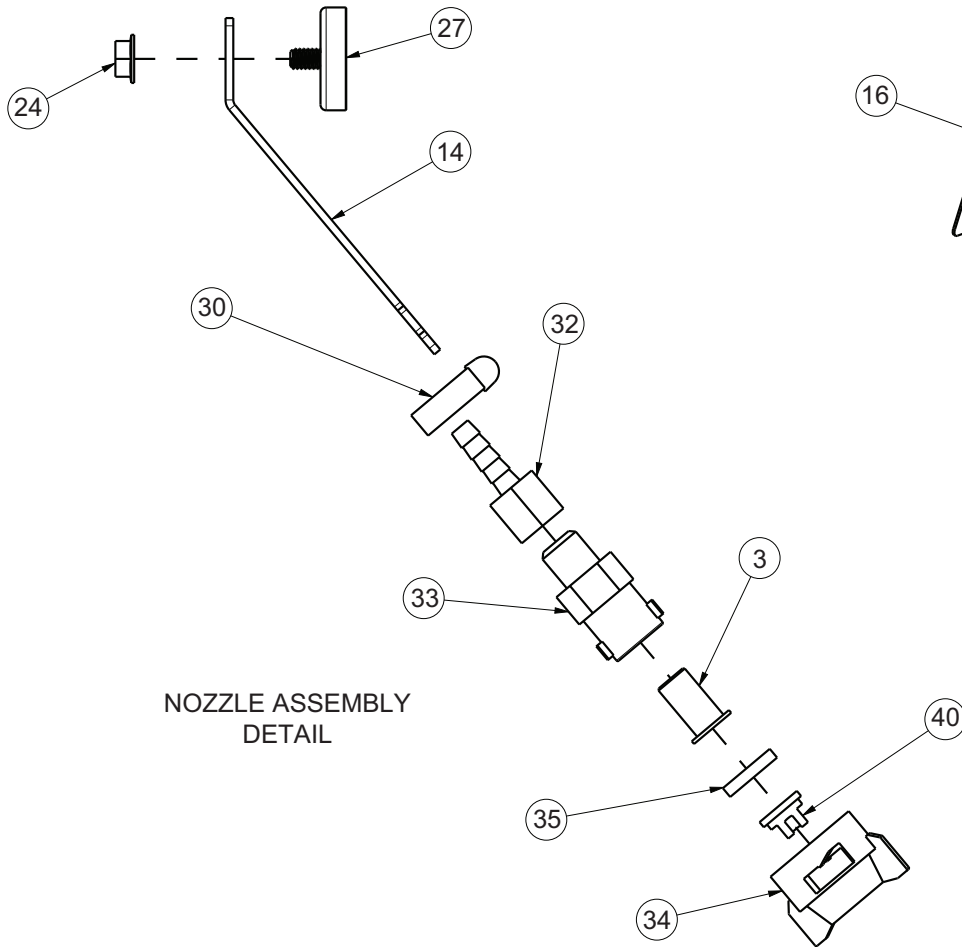
OPT - EXTREME ENVIRONMENT DUST COVER (3334437)			
ITEM	PART NO.	REQ'D	DESCRIPTION
1	3401460	19	SCR-THMS 1/4-20 X .75 PHIL 18-8 SS
2	711228	3	SCR-HH 5/16-18 X .75 ZP GR 5
3	711379	3	NUT-FLANGED WIZZ 5/16-18 ZP
4	711425	19	NUT-FLANGED WIZZ 1/4-20 ZP
5	3317302	1	Opt - Heavy Duty Curb Broom, Right, 9X
6	3331034	1	Opt - Heavy Duty Air Cleaner, 9X
7	3334432	1	BAR-SUPPORT LONG LINTEL COVER 9X
8	3334434	1	EXTREME ENVIRONMENT DUST COVER 9X
9	3335920	1	COVER-DUST SEAT CLIP
10	3337843	1	BAR-MID SUPPORT LINTEL COVER 9X
11	3400384	3	WASHER-CONICAL SPRING 5/16

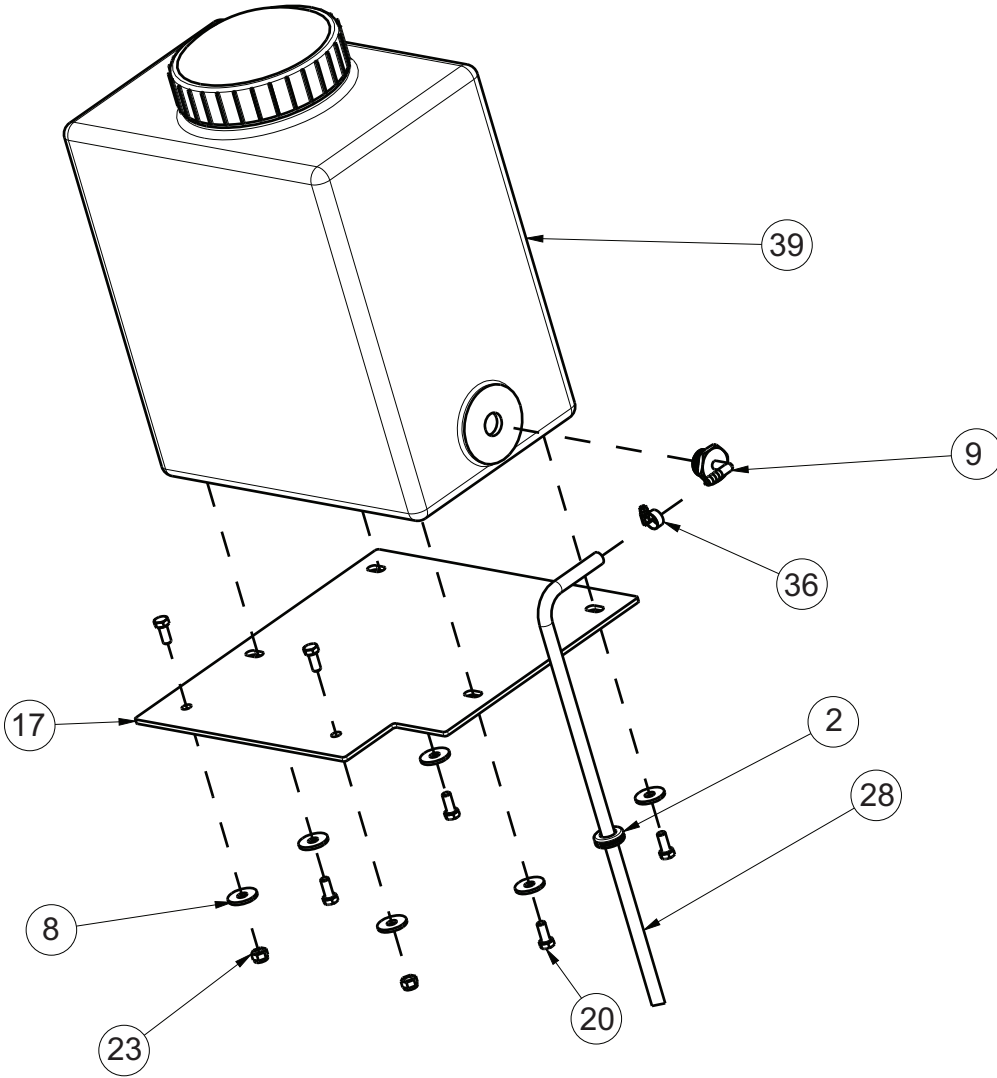
OPT - DUST SUPPRESSION, SINGLE (690795)





PUMP ASSY DETAIL



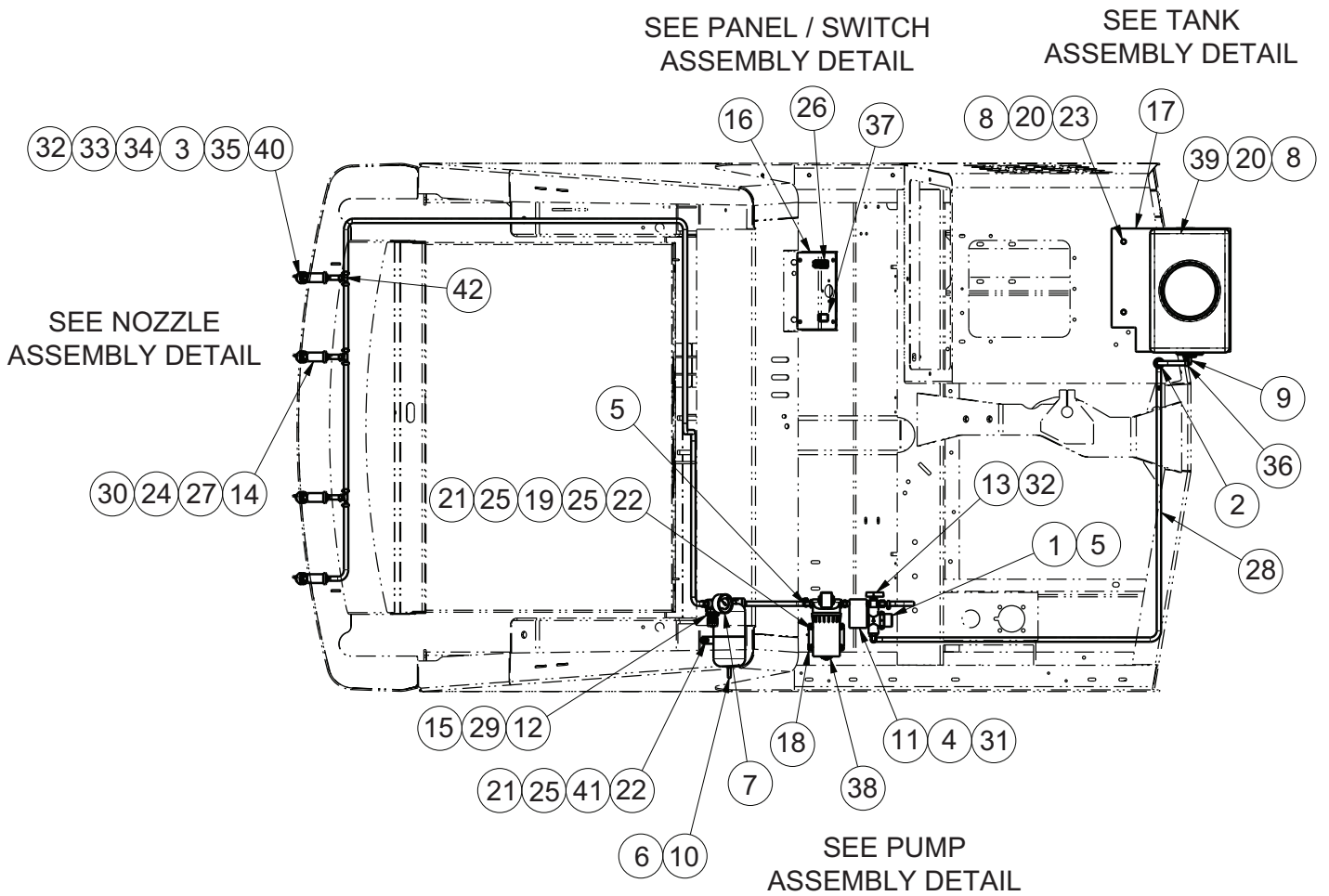


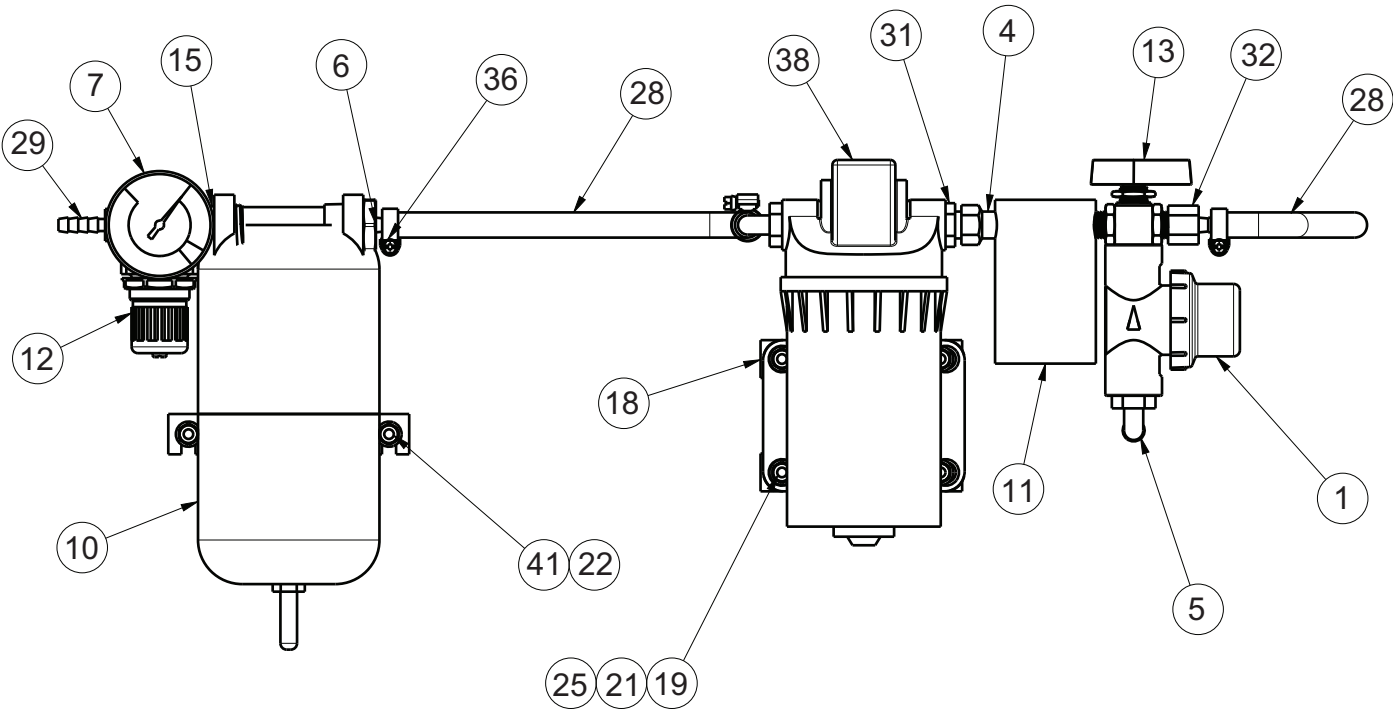
TANK
ASSEMBLY
DETAIL

OPT - DUST SUPPRESSION, SINGLE (690795)			
ITEM	PART NO.	REQ'D	DESCRIPTION
1	173158	1	IN-LINE FILTER ASSEMBLY, 3/8 FNPT
2	260274	1	GROMMET Z-421
3	281041	2	VALVE-CHECK
4	450059	1	FITTING BRASS 1/4MPT 1/4MPT
5	450222	2	FTG-ELBOW 90 3/8 MPT X 1/4 HB NYLON
6	500123	1	FTG-ADAPTER 1/2 MPT X 1/4 HB BRASS
7	600183	1	GAUGE 0-60 PSI
8	600940	6	WASHER-FENDER M8 X 24 ZP
9	620268	1	FTG-ELBOW 90 3/4 MPT X 1/4 HB NYLON
10	620277	1	ACCUMULATOR
11	620278-1	1	SOLENOID ASSY, WATER, 1/4 FPT 12V 250PSI
12	620279	1	VALVE-PRES REGULATOR, 1/4 FPT 5-125PSI
13	620280	1	VALVE-CONTROL TEE, 1/4 MPT
14	620735	2	PLATE, MOUNT, NOZZLE, LONG
15	620738	1	FTG-ADAPTER 1/2 MPT TO 1/4 MPT
16	690396	1	COVER-PLT, TILT STEERING, 9X, (CUTOUTS)
17	690774	1	PLATE, MOUNT, WATER TANK 9X
18	690800	2	SPACER, WATER PUMP, DUST SUPP
19	710365	4	SCR-PHMS 10-32 X 1.75 ZP
20	711228	6	SCR-HH 5/16-18 X .75 ZP GR 5
21	711310	6	NUT-HEX 10-32 ZP
22	711350	6	NUT-NYLOC 10-32 ZP
23	711374	2	NUT-NYLOC 5/16-18 ZP
24	711425	2	NUT-FLANGED WIZZ 1/4-20 ZP
25	711503	12	WASHER-FLAT #10 X .50 ZP
26	718357	1	SWITCH, CONTURA LEFT, ON/ON
27	770137	2	MAGNET, 1.26" OD X .315 THK, 75LB
28	828488	24 FT	HOSE-1/4 NYLOBRAID
29	829106	1	FTG-ADAPTER 1/4 MPT X 1/4 HB BRASS
30	829129	2	CLAMP - SCREW .313" to .875" DIA 301SS
31	830708	1	FTG-REDUCER 3/8 MPT X 1/4 FPT BRASS
32	831327	3	FTG-ADAPTER 1/4 FPT X 1/4 HB BRASS
33	833140	2	CONNECTOR-BODY INLET
34	833141	2	CAP
35	833142	2	GASKET-CAP
36	3302338	11	CLAMP - SCREW .25" to .625" DIA 301SS

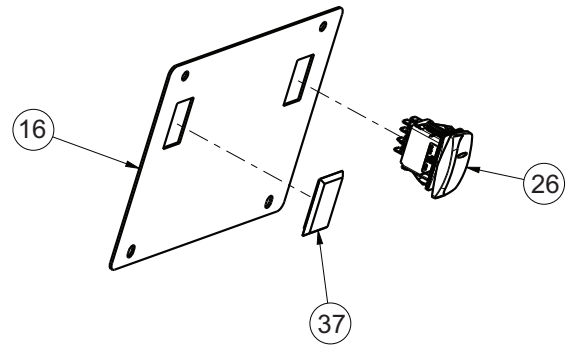
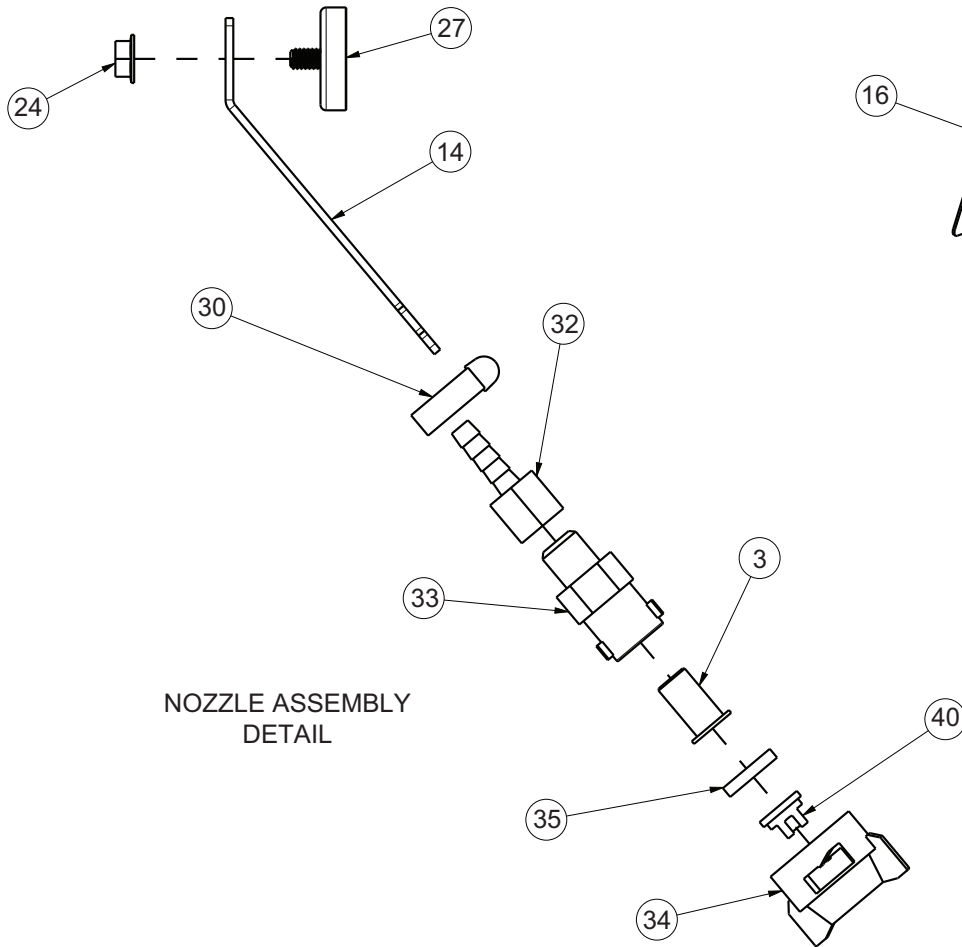
OPT - DUST SUPPRESSION, SINGLE (690795)			
ITEM	PART NO.	REQ'D	DESCRIPTION
37	3323529	1	PLUG-CARLING CONTURA SWITCH
38	3331278-1	1	PUMP ASSY-SOLUTION 1.6GPM 60 PSI 12V
39	3337964	1	WATER TANK - 7 GAL W/3/4" FTG
40	3339519	2	NOZZLE, SPRAY TIP 1100050
41	3400044	2	SCR-HH 10-32 X .75 ZP SERR FLANGE
42	3401683	1	FTG-TEE 1/4 HB X 1/4 HB X 1/4 HB PP
	620734	1	HARNESS ASSY, DUST SUPPRESSION
	740099-B	5	CABLE TIE-SMALL (BLACK)
	828062-B	15	CABLE TIE-LARGE (BLACK)
	748306	8 FT	CONDUIT- SPLIT 1/2" ID

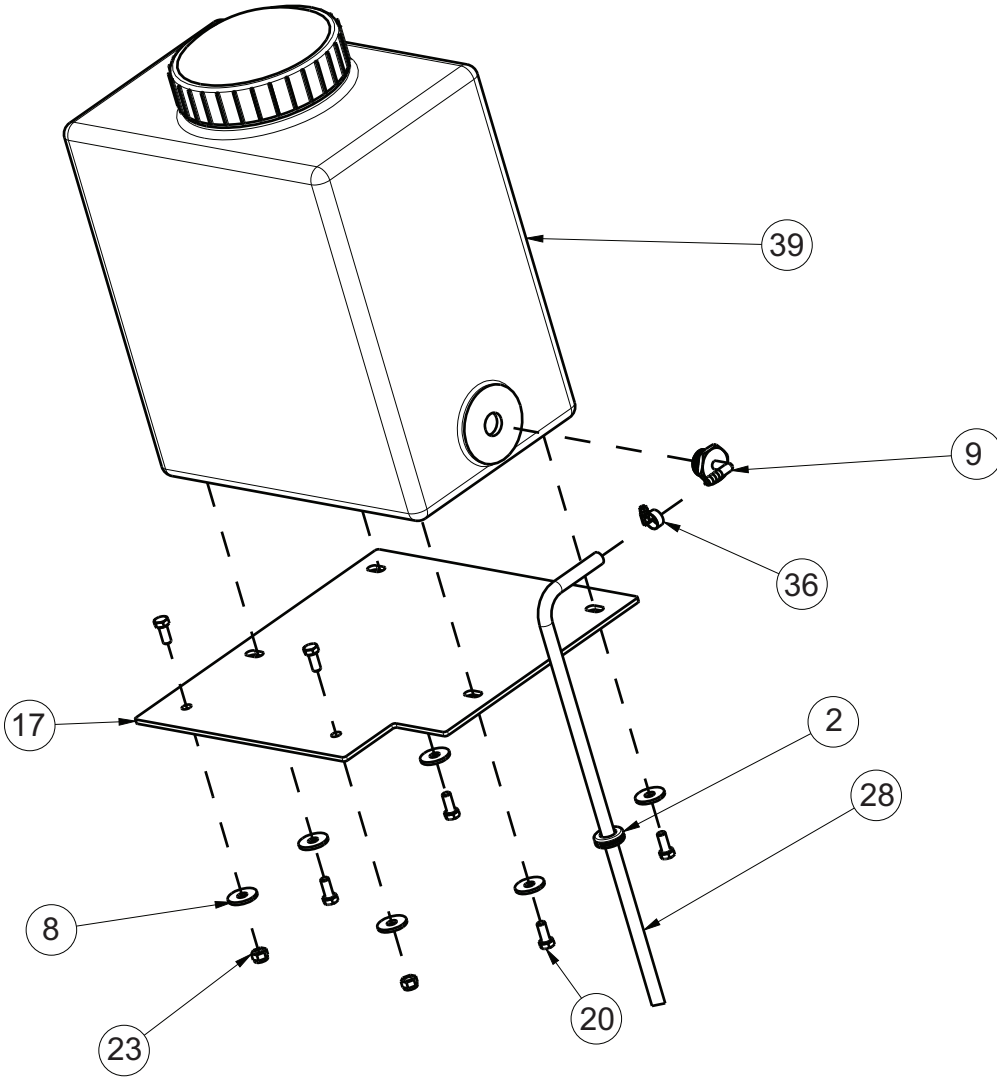
OPT - DUST SUPPRESSION, DUAL (690796)





PUMP ASSY DETAIL



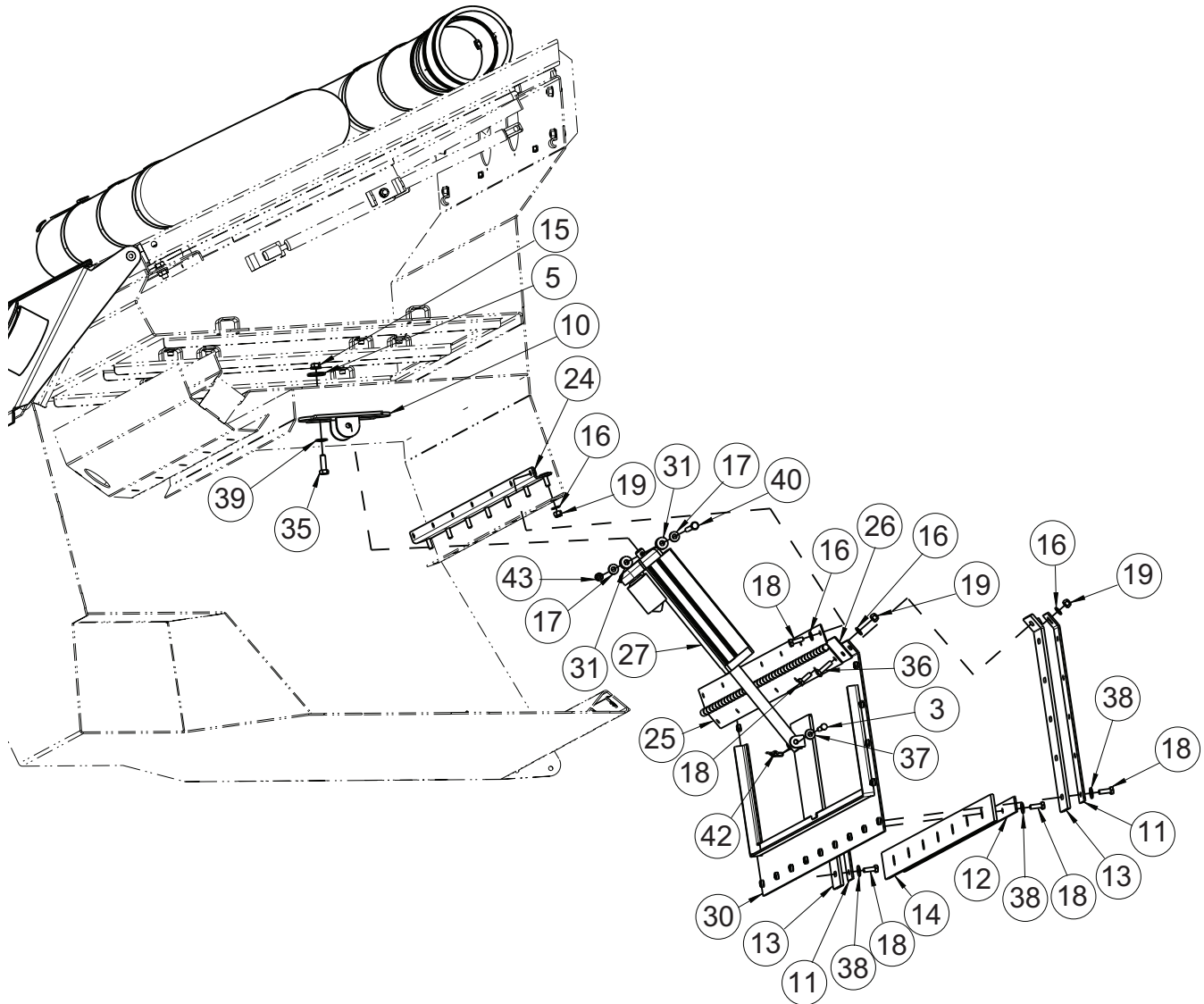


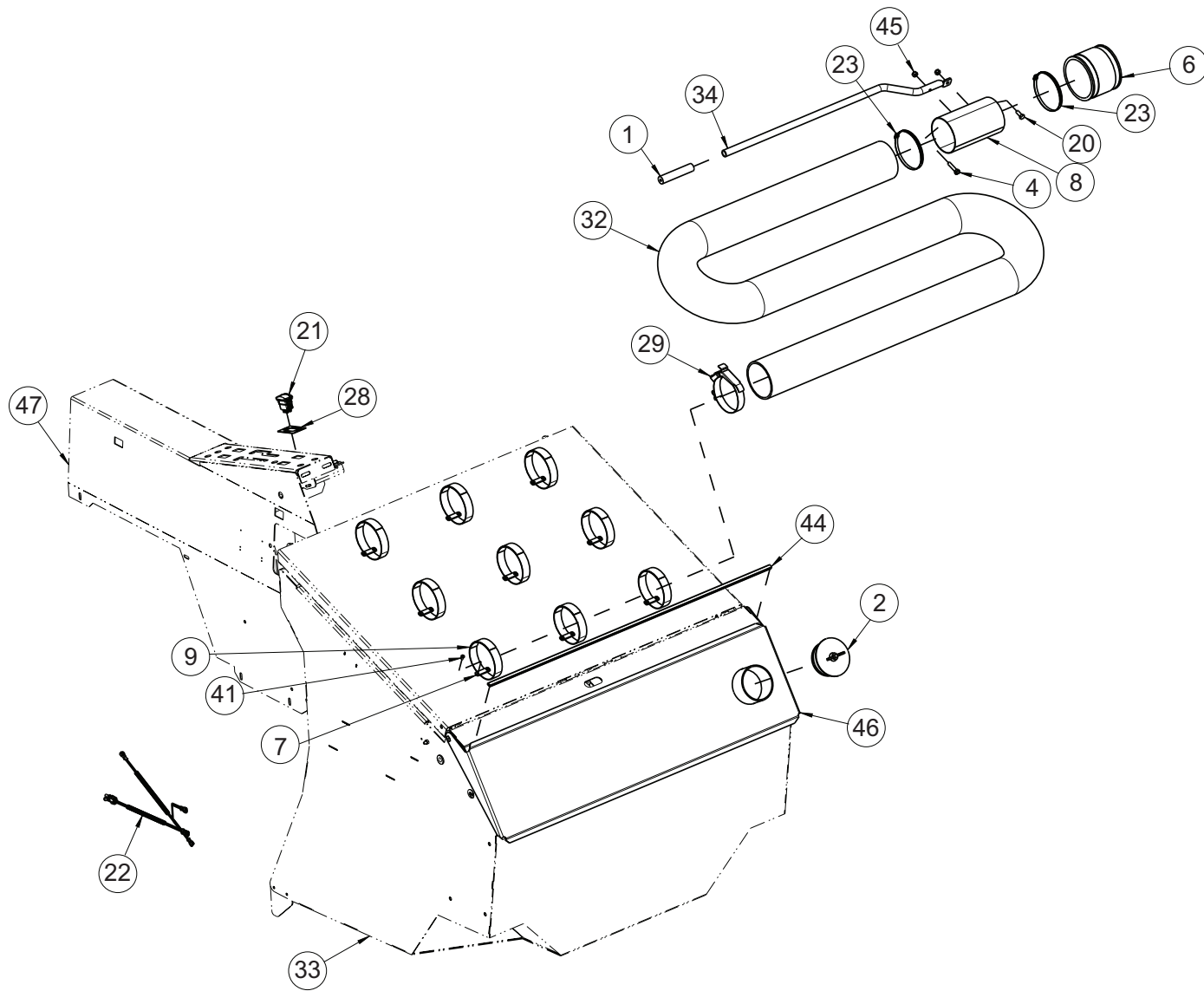
TANK
ASSEMBLY
DETAIL

OPT - DUST SUPPRESSION, SINGLE (690796)			
ITEM	PART NO.	REQ'D	DESCRIPTION
1	173158	1	IN-LINE FILTER ASSEMBLY, 3/8 FNPT
2	260274	1	GROMMET Z-421
3	281041	4	VALVE-CHECK
4	450059	1	FITTING BRASS 1/4MPT 1/4MPT
5	450222	2	FTG-ELBOW 90 3/8 MPT X 1/4 HB NYLON
6	500123	1	FTG-ADAPTER 1/2 MPT X 1/4 HB BRASS
7	600183	1	GAUGE 0-60 PSI
8	600940	6	WASHER-FENDER M8 X 24 ZP
9	620268	1	FTG-ELBOW 90 3/4 MPT X 1/4 HB NYLON
10	620277	1	ACCUMULATOR
11	620278-1	1	SOLENOID ASSY, WATER, 1/4 FPT 12V 250PSI
12	620279	1	VALVE-PRES REGULATOR, 1/4 FPT 5-125PSI
13	620280	1	VALVE-CONTROL TEE, 1/4 MPT
14	620735	4	PLATE, MOUNT, NOZZLE, LONG
15	620738	1	FTG-ADAPTER 1/2 MPT TO 1/4 MPT
16	690396	1	COVER-PLT, TILT STEERING, 9X, (CUTOUTS)
17	690774	1	PLATE, MOUNT, WATER TANK 9X
18	690800	2	SPACER, WATER PUMP, DUST SUPP
19	710365	4	SCR-PHMS 10-32 X 1.75 ZP
20	711228	6	SCR-HH 5/16-18 X .75 ZP GR 5
21	711310	6	NUT-HEX 10-32 ZP
22	711350	6	NUT-NYLOC 10-32 ZP
23	711374	2	NUT-NYLOC 5/16-18 ZP
24	711425	4	NUT-FLANGED WIZZ 1/4-20 ZP
25	711503	12	WASHER-FLAT #10 X .50 ZP
26	718357	1	SWITCH, CONTURA LEFT, ON/ON
27	770137	4	MAGNET, 1.26" OD X .315 THK, 75LB
28	828488	24 FT	HOSE-1/4 NYLOBRAID
29	829106	1	FTG-ADAPTER 1/4 MPT X 1/4 HB BRASS
30	829129	4	CLAMP - SCREW .313" to .875" DIA 301SS
31	830708	1	FTG-REDUCER 3/8 MPT X 1/4 FPT BRASS
32	831327	5	FTG-ADAPTER 1/4 FPT X 1/4 HB BRASS
33	833140	4	CONNECTOR-BODY INLET
34	833141	4	CAP
35	833142	4	GASKET-CAP
36	3302338	19	CLAMP - SCREW .25" to .625" DIA 301SS

OPT - DUST SUPPRESSION, SINGLE (690796)			
ITEM	PART NO.	REQ'D	DESCRIPTION
37	3323529	1	PLUG-CARLING CONTURA SWITCH
38	3331278-1	1	PUMP ASSY-SOLUTION 1.6GPM 60 PSI 12V
39	3337964	1	WATER TANK - 7 GAL W/3/4" FTG
40	3339519	4	NOZZLE, SPRAY TIP 1100050
41	3400044	2	SCR-HH 10-32 X .75 ZP SERR FLANGE
42	3401683	3	FTG-TEE 1/4 HB X 1/4 HB X 1/4 HB PP
	620734	1	HARNESS ASSY, DUST SUPPRESSION
	740099-B	5	CABLE TIE-SMALL (BLACK)
	828062-B	15	CABLE TIE-LARGE (BLACK)
	748306	8 FT	CONDUIT- SPLIT 1/2" ID

OPT - VACUUM WAND, 4" ORANGE (3334787)

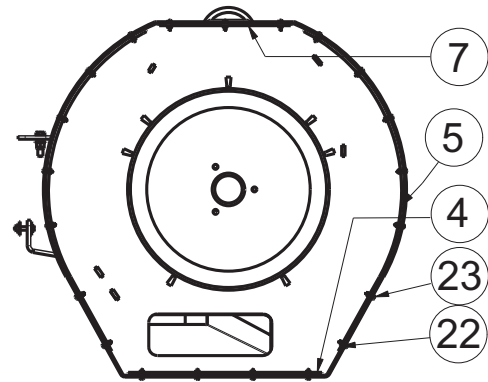
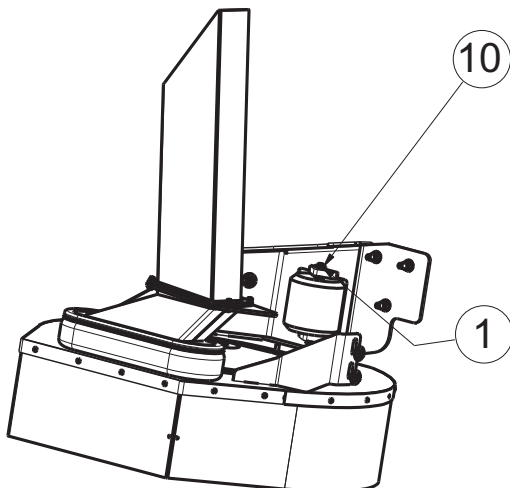
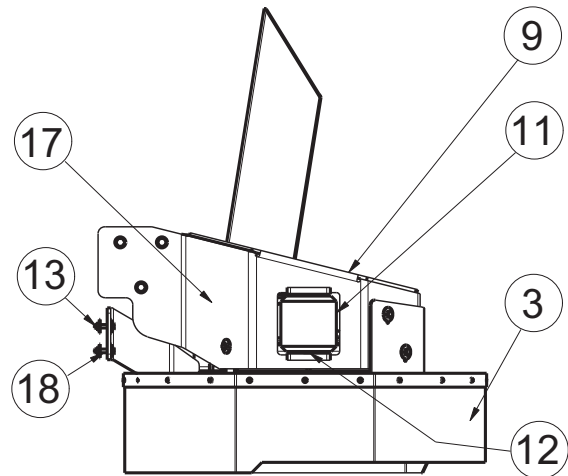
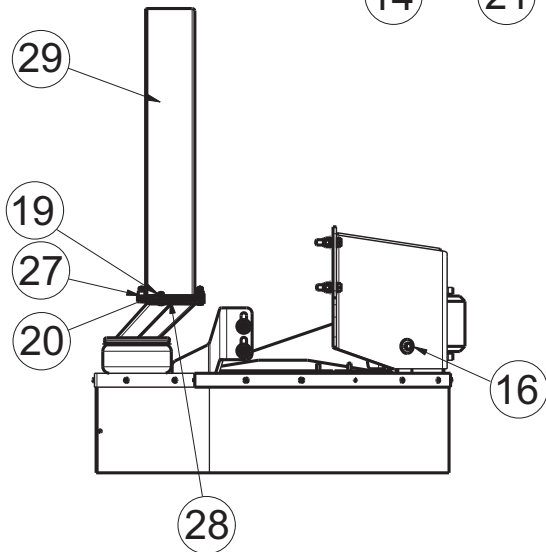
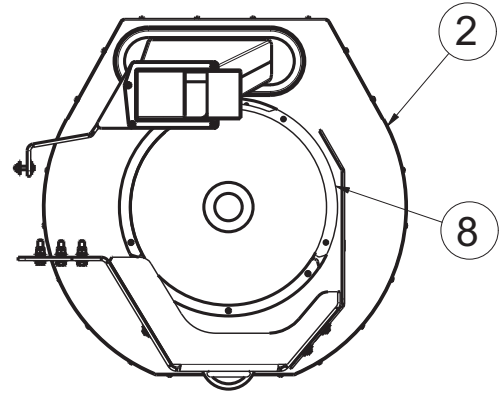
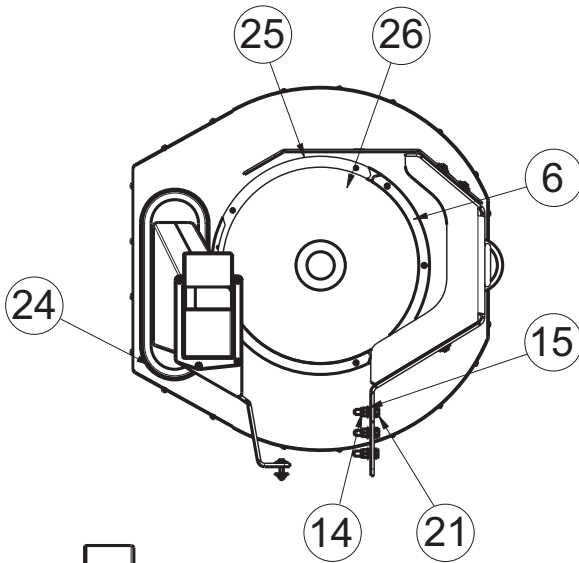




OPT - VACUUM WAND, 4" ORANGE (3334787)			
ITEM	PART NO.	REQ'D	DESCRIPTION
1	78-71-A	1	GRIP-HANDLE BLACK
2	320838	1	STOPPER PLUG ASM - 4"
3	361221	1	PIN-CLEVIS .25 X 1.5
4	600918	1	SCR-HH M8-1.25 X 35 ZP CLASS 8.8
5	600940	2	WASHER-FENDER M8 X 24 ZP
6	620153	1	COUPLING, WAND END, 4"
7	620172	9	RETAINER,VELCRO
8	620173	1	TUBE, VAC WAND
9	620174	9	STRAP 18" LONG, VELCRO
10	690143	1	WELD-ACTUATOR MOUNT VAC OPTION
11	690370	2	SEAL RET, SIDE, BRM CHMBR DR - 9X
12	690371	1	SEAL RET, LWR, BRM CHMBR DR - 9X
13	690372	2	SIDE SEAL, BRM CHMBR DR, HOPPER - 9X
14	690373	1	LOWER SEAL, BRM CHMBR DR, HOPPER - 9X
15	711379	2	NUT-FLANGED WIZZ 5/16-18 ZP
16	711504	21	WASHER-FLAT 1/4 SS
17	711505	2	WASHER-FLAT 1/4 ZP
18	712562	29	SCR-HH 1/4-20 X .75, 18-8 SS
19	712667	14	NUT-NYLOC 1/4-20 SS
20	717024	1	SCR-HH M8-1.25 X 20 ZP GRADE 8.8
21	748157	1	SWITCH, CONTURA ROCKER, DPDT, MOMENTARY
22	748736	1	HARNESS ASSY, DOOR TO ACTUATOR VAC WAND
23	3300351	2	CLAMP - SCREW 3" to 5" DIA 201SS
24	3319433	1	MNT-HINGE VACWAND 9X PNTD
25	3319434	1	HINGE-VAC WAND SW/9X PNTD
26	3319449	1	SEAL-HINGE VACUUM WAND SW/9X
27	3334487-1	1	ASSY-ACTUATOR HOPPER DOOR
28	3334501	1	DECAL-VACUUM DOOR SW/A
29	3334513	1	CLAMP-HOSE 4.25" OVER-CENTER
30	3334541	1	BRM CHMBR DOOR, VAC OPT - 9X
31	3334545	2	SPACER-ACTUATOR VAC OPTION

OPT - VACUUM WAND, 4" ORANGE (3334787)			
ITEM	PART NO.	REQ'D	DESCRIPTION
32	3334592	1	HOSE-VAC WAND NEW 4.0" ID
33	REFERENCE	1	HOPPER, 9X
34	3339586	1	HANDLE-VAC WAND
35	3400035	2	SCR-HH 5/16-18 X 1.00 ZP GR 5
36	3400040	2	SCR-HH 1/4-20 X 1.00 ZP GR 5
37	711505	1	WASHER-FLAT 1/4 ZP
38	3400383	17	WASHER-CONICAL SPRING 1/4
39	3400384	2	WASHER-CONICAL SPRING 5/16
40	3400433	1	SCR-HH 1/4-20 X 2.50 ZP GR 5 PART THRD
41	3400484	18	RIVET-AVDEL 3/16 X .602
42	3400742	1	RING-RUE 1/4 ZP
43	711387	1	NUT-JAM 1/4-20 ZP NYLOC
44	3500118	40	EDGING-VINYL TRIM 1/8" X 250'
45	12040051	2	NUT-NYLOC M8 X 1.25 ZP CLASS 8
46	3334464M	1	LID-HOPPER 9X W/VAC OPTION, SM-ORG
47	REFERENCE	1	CONSOLE, 9X

OPT - VACUUMIZED SIDE BROOM (3338470)

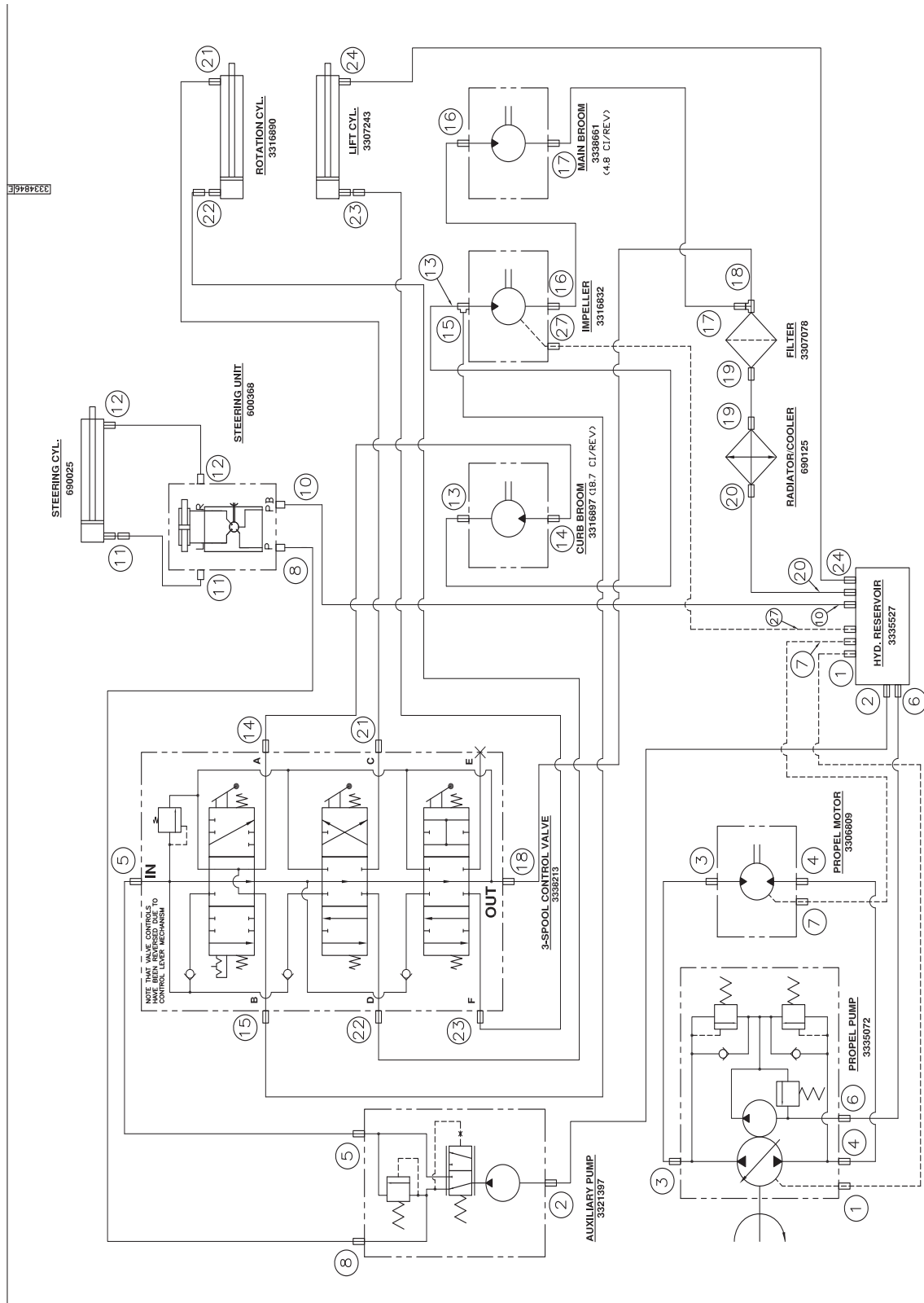


OPT - VACUUMIZED SIDE BROOM (3338470)			
ITEM	PART NO.	REQ'D	DESCRIPTION
1	711713	2	RET RING-E EXT .50
2	3338461	1	WDT - VACUUM CB BASE 26"
3	3338464	1	RUBBER SKIRT 26"
4	3338465	1	END BRACKET
5	3338466	2	SIDE BRACKET
6	3338474	1	METAL MOUNTING BRACKET RUBBER DISC
7	3338486	1	INNER MNTING BRACKET-OUTER 26"
8	3338633	2	METAL MNTING BRCKT RBBR DISC (INBRD SIDE
9	3338663	1	WDT - HD CB GUARD W/ MNT ROLLER
10	3341052	1	PIN-BUMPER GUARD
11	3341053	1	ROLL-BUMPER GUARD
12	3341054	2	SPACER-BUMPER GUARD
13	711425	5	NUT-FLANGED WIZZ 1/4-20 ZP
14	711380	3	NUT-NYLOC 3/8-16 ZP
15	712301	6	WASHER-FLAT 3/8 ZP
16	712774	10	WASHER-FLAT 3/8 X 1 X .120 SS
17	711503	4	WASHER-FLAT #10 ZP
18	3400227	5	SCR-HH 1/4-20 X 1.25 ZP GR 5
19	711488	4	WASHER-LOCK M6 SPLIT, HIGH-COLLAR, SS
20	717021	4	SCR-HH M6-1.0 X 30 ZP CLASS 8.8
21	3400455	3	SCR-HH 3/8-16 X 1.50 SS
22	3401674	21	NUT, CLIP-ON, 8-32, BLACK PHOSPHATE
23	3401676	21	SCREW, PPH THRD FORM 8-32 X 5/8 ZP
24	730397	1	BULB SEAL, BULK
25	690788	1	RUBBER DISC UPPER
26	90545757	1	RUBBER DISC LOWER
27	90546136	1	THREADED FLANGE
28	90546144	1	GASKET
29	690650	1	SUCTION PIPE

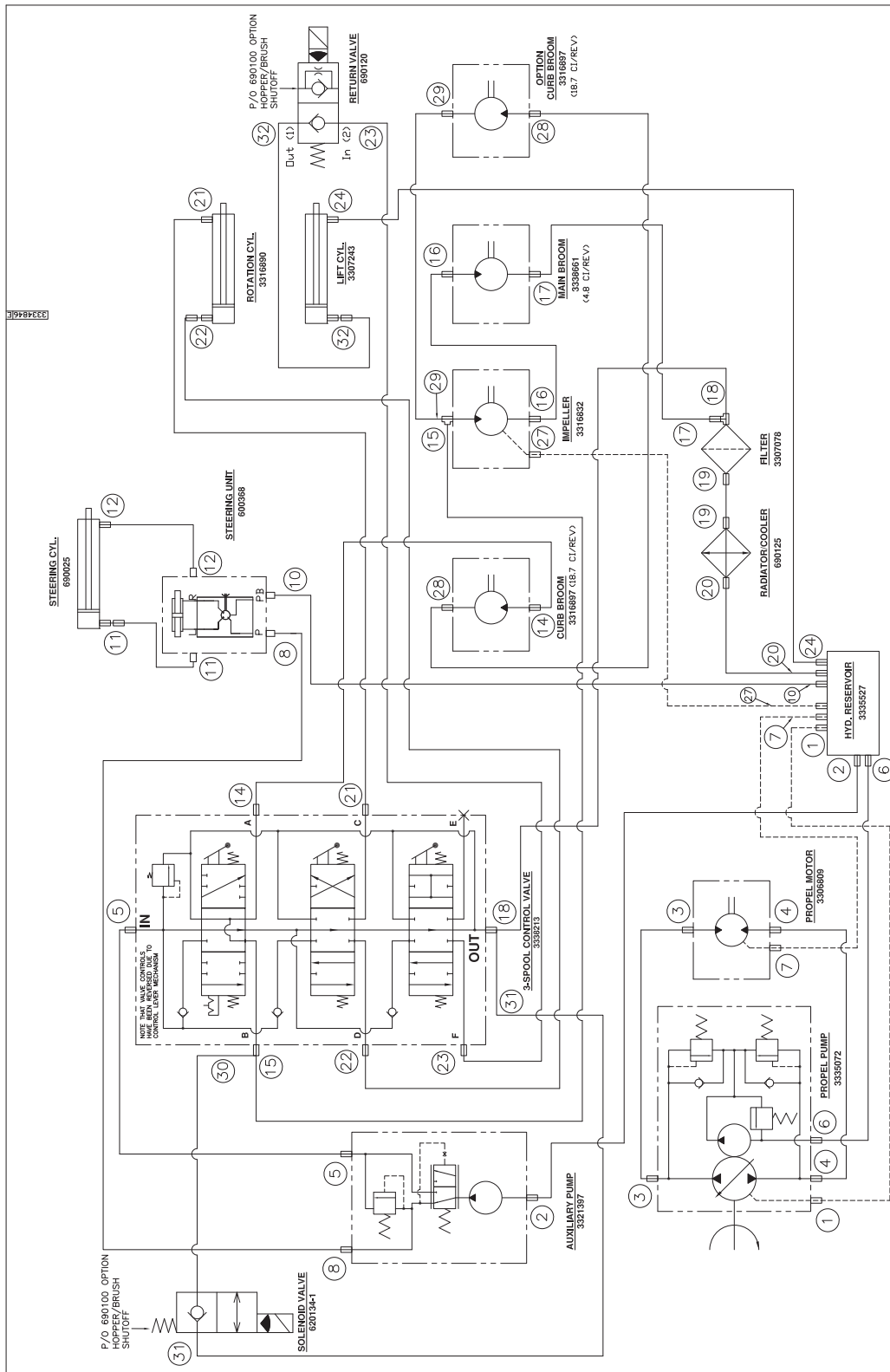
MISCELLANEOUS OPTIONS

690135	OPT-9X/10X DUST SUPPRESSION, SINGLE
690136	OPT-9X DUST SUPPRESSION, DUAL
690231	OPT-HOPPER PRESSURE BYPASS - 9X
690365	OPT-REAR MNT AIR COND - 9X
3302496	OPT-FAN,CAB
3302649	TANK-LP 33 LBS.
3316405	OPT-MIRROR,SS UNIV MNT
3317283	OPT-ENGINE SHUT DOWN DSL
3317303	OPT-LIGHT,BRAKE LIGHT
3317304	OPT-FILTER SHAKER, TIMED
3317305	OPT-INDICATOR ,CLOG FILTER
3318223	OPT-BLOWER ATTACHMENT
620217	OPT-CAB, PRESSURIZER ERGO
3330844	OPT-CAB, ERGO
3332177	OPT-CURB BROOM,DUAL
3334119	OPT-LIGHT MNT 9X ARMA
3334252	OPT-CAB,SOFT (<i>REPLACEMENT ADHESIVE SNAPS - 3400412</i>)
3334606	OPT-RHINO LINING- HOPPER AND LID ORANGE
3336608	OPT- RHINO LINING-MAIN BROOM DOORS
3340003	OPT-REMOTE OIL FILTER (9X)

HYDRAULIC SCHEMATIC 9X



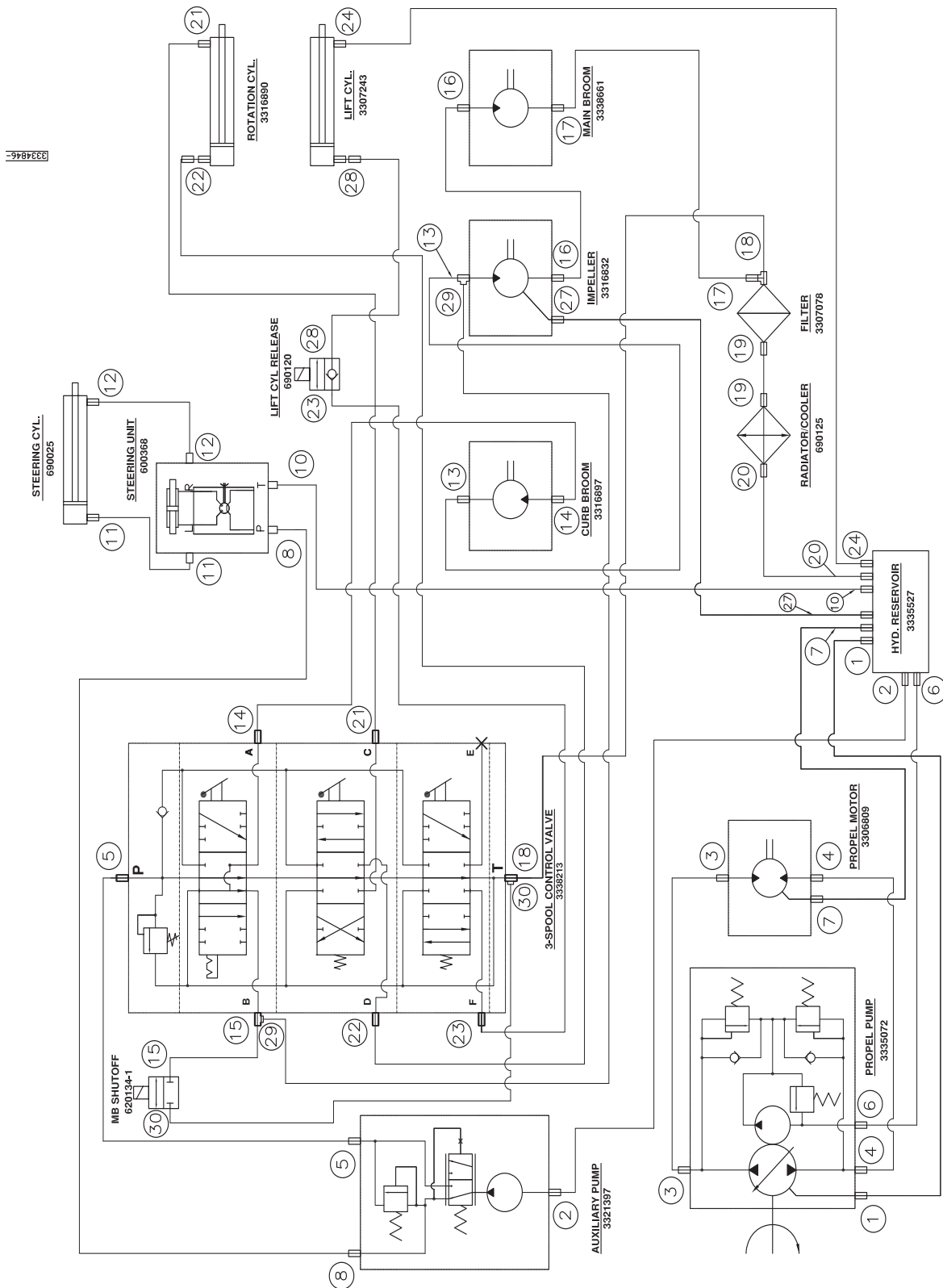
3334846, Sheet 1 of 3, Rev E, 07/2021



3334846, Sheet 2 of 3, Rev E, 07/2021

No.	Adapter 1	hose assy #	Adapter 2	RESV	HYD PUMP	AUX PUMP	IRW	CONT	PS	ROT	CB	IMP	MB	FILTER	ROT	LIFT	SOL	HOPPER	RETURN	Comments:	
1	675524	675400	675527	1	2															Reservoir to Propel pump inlet	
2	675506	675401	675505	1		2														Reservoir to Aux pump inlet.	
3	675500	675402	675501		1	2														Propel pump drivers side to Propel motor port A.	
4	675501	675403	675502		2	1														Propel motor port B to Propel pump passenger side	
5	675528	675404	675524			1		2												Aux pump to 3-spool control valve port IN.	
6	675520	675405	675521		2	1														Propel pump to reservoir	
7	675508	675406	675510		2		1		2											Propel motor to reservoir, case drain	
8	675512	675407	675511			1														Aux pump to Steering unit port P.	
9																					
10	675552	675409	675519					1												Steering unit to reservoir	
11	675552	675410	675518					1	2											Steering unit L port to port P1 on steering cylinder	
12	675515	675411	675518					1	2											Steering unit R port to port P2 on steering cylinder	
13		675412	675528									1	2							Inlet tee to curb broom out.	
14	675524	675413	675528					2				1								Valve port A to curb motor inlet port A.	
15	675524	675414	675525					1				2								Control valve outlet to Impeller inlet tee. See hose 13 for details	
16	675523	675415	675523									1	2							From Impeller out port to Main broom in port A	
17	675523	675416	675529 / 675526									1	2							From main broom outlet Port B to filler inlet	
18	675524	675417											1	2						From T port on control valve to filter inlet tee. See hose 17	
19	675537	675418	675530										1	2						From filler outlet to Cooler Inlet (top of cooler pack)	
20	675503	675419	675503										1							From cooler outlet (bottom of cooler) to reservoir	
21	675513	675420	675507					1					2							From control valve port C to rod end of rotate cylinder	
22	675507 / 675547	675421	675513					2					1							From piston end of rotate cylinder to control valve port D	
23	675518 / 675550	675422	675513					2												From piston end of lift cylinder to control valve port F	
24	675518	675423	675510													1				From rod end of lift cylinder to reservoir	
27	675508	675426	675510									1								From Impeller case drain to reservoir.	
28		675427	675528								2									LH Curb Broom to RH Curb Broom	
29		675428	675528								1									Impeller to RH Curb Broom	
30	675525	675414	675524					1									2			Control Valve to Solenoid Valve	
31	675525	675414	675524					1									2			Control Valve to Solenoid Valve	
32	675517	675422	675518													1			2	Lift Cylinder to Hopper Return Valve	

HYDRAULIC SCHEMATIC 9X CE

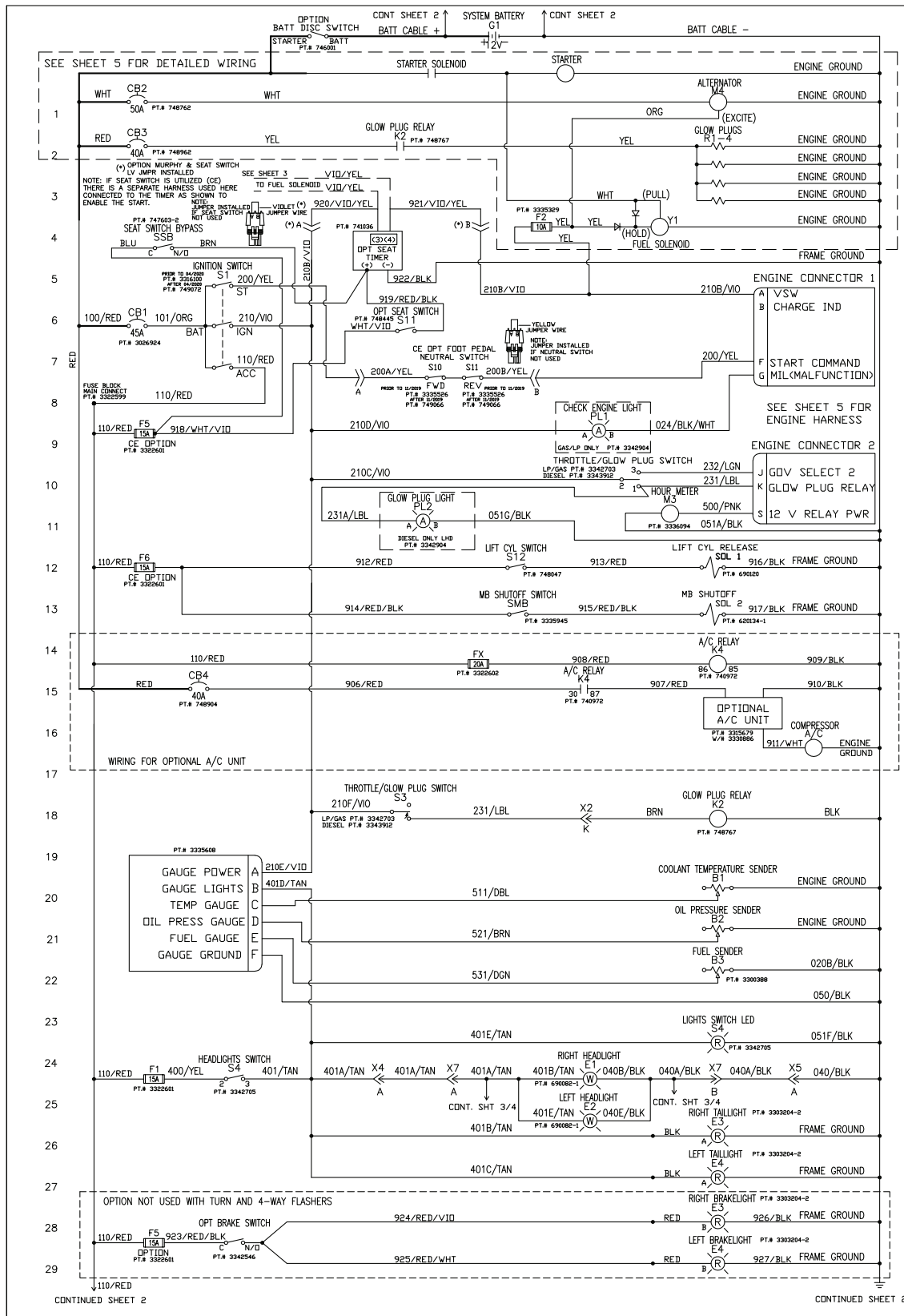


3334846-CE, Rev B, 07/2021, Sheet 1 of 2

Adapter Assignment																			
No.	Adapter 1	hose assy #	Adapter 2	RESV	HYD PUMP	AUX PUMP	RW MTR	CONT VALVE	PS UNIT	PS CYL	CB MTR	MB MTR	FILT MTR	RAD	ROT CYL	LIFT CYL	MB OFF	LIFT REL	Comments:
1	675524	675400	675527	1	2														Reservoir to Propel pump inlet.
2	675506	675401	675505	1		2													Reservoir to Aux pump inlet.
3	675500	675402	675501	1			2												Propel pump drivers side to Propel motor port A.
4	675501	675403	675502	2		1													Propel motor port B to Propel pump passenger side.
5	675528	675404	675524	2		1		2											Aux pump to 3-spool control valve port IN.
6	675520	675405	675521	2		1													Propel pump to reservoir.
7	675508	675406	675510	2		1													Propel motor to reservoir, case drain.
8	675512	675407	675511			1			2										Aux pump to Steering unit port P.
9																			
10	675552	675409	675519	2					1										Steering unit to reservoir.
11	675552	675410	675518						1	2									Steering unit L port to port P1 on steering cylinder.
12	675515	675411	675518						1	2									Steering unit R port to port P2 on steering cylinder.
13	675524	675412	675528						1	2									Inlet tee to curb broom out.
14	675524	675413	675528					1		2									Valve port A to curb motor inlet port A.
15	675525	675414	675524					1											From control valve port B to MB shutoff valve port 2.
16	675523	675415	675523						1	2									From impeller out port to Main broom in port A.
17	675523	675416	675529							1	2								From main broom outlet Port B to filter inlet.
18	675525	675417	675526						1		2								From T port on control valve to filter inlet tee. See hose 17.
19	675537	675418	675530								1	2							From filler outlet to Cooler inlet (top of cooler pack).
20	675503	675419	675503	2									1	2					From cooler outlet (bottom of cooler) to reservoir.
21																			From control valve port C to rod end of rotate cylinder.
22	675507/675547	675421	675513					1							2				From piston end of rotate cylinder to control valve port D.
23	675513	675422	675517					2							1				From control valve port F to 690120 lift cyl release port 1.
24	675518	675423	675510	2				1											From rod end of lift cylinder to reservoir.
27	675508	675426	675510	2						1									From impeller case drain to reservoir.
28	675508	675422	675518/675550																From port 2 of 690120 lift cyl release valve to lift cyl rod end port.
29	675525	675414	675525					1											From control valve port B to impeller motor inlet tee.
30	675524	675414	675525					2											From port 1 of MB shutoff to control valve port T.

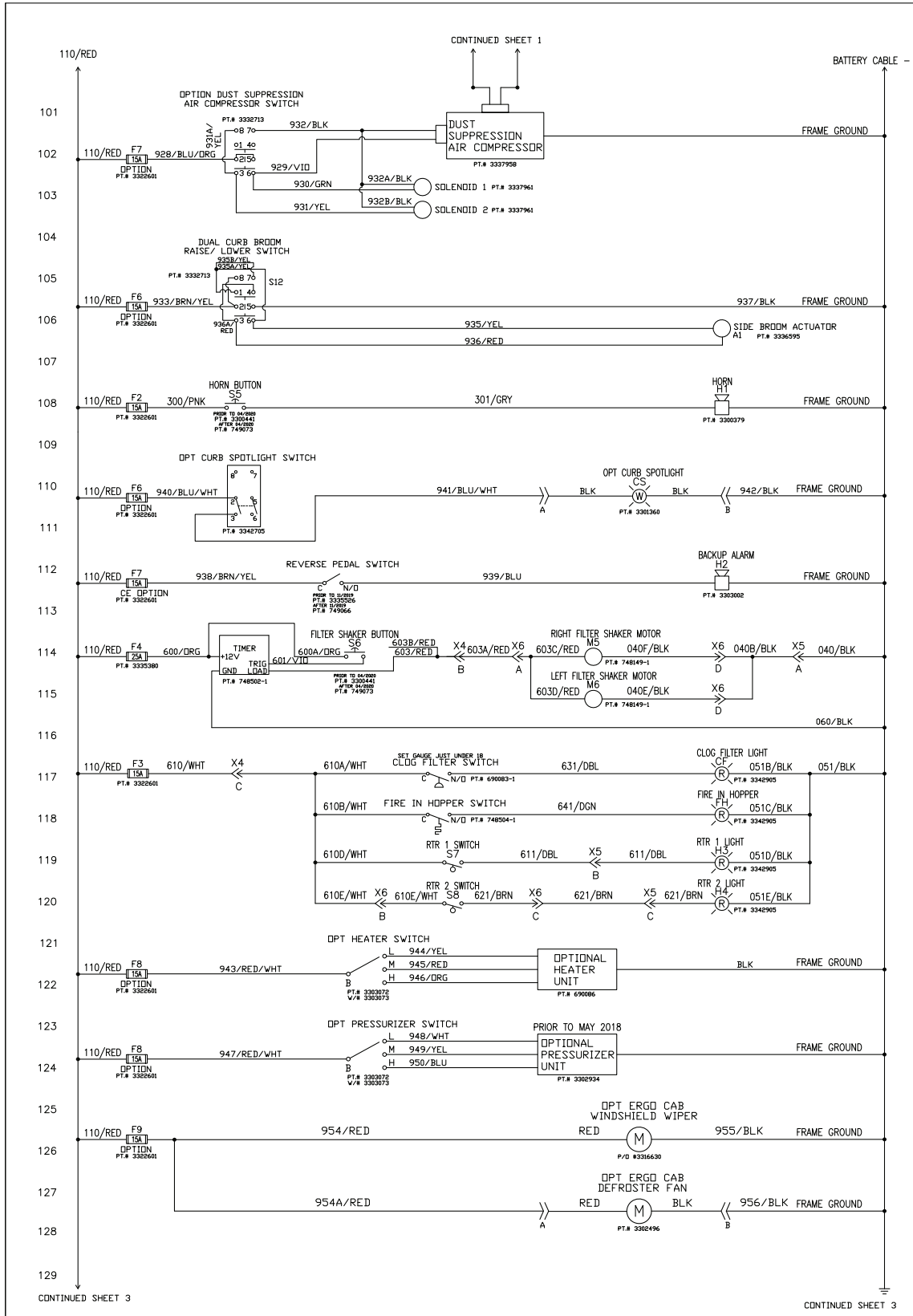
3334846-CE, Rev B, 07/2021, Sheet 2 of 2

ELECTRICAL SCHEMATIC WITH KUBOTA V1505 - DIESEL

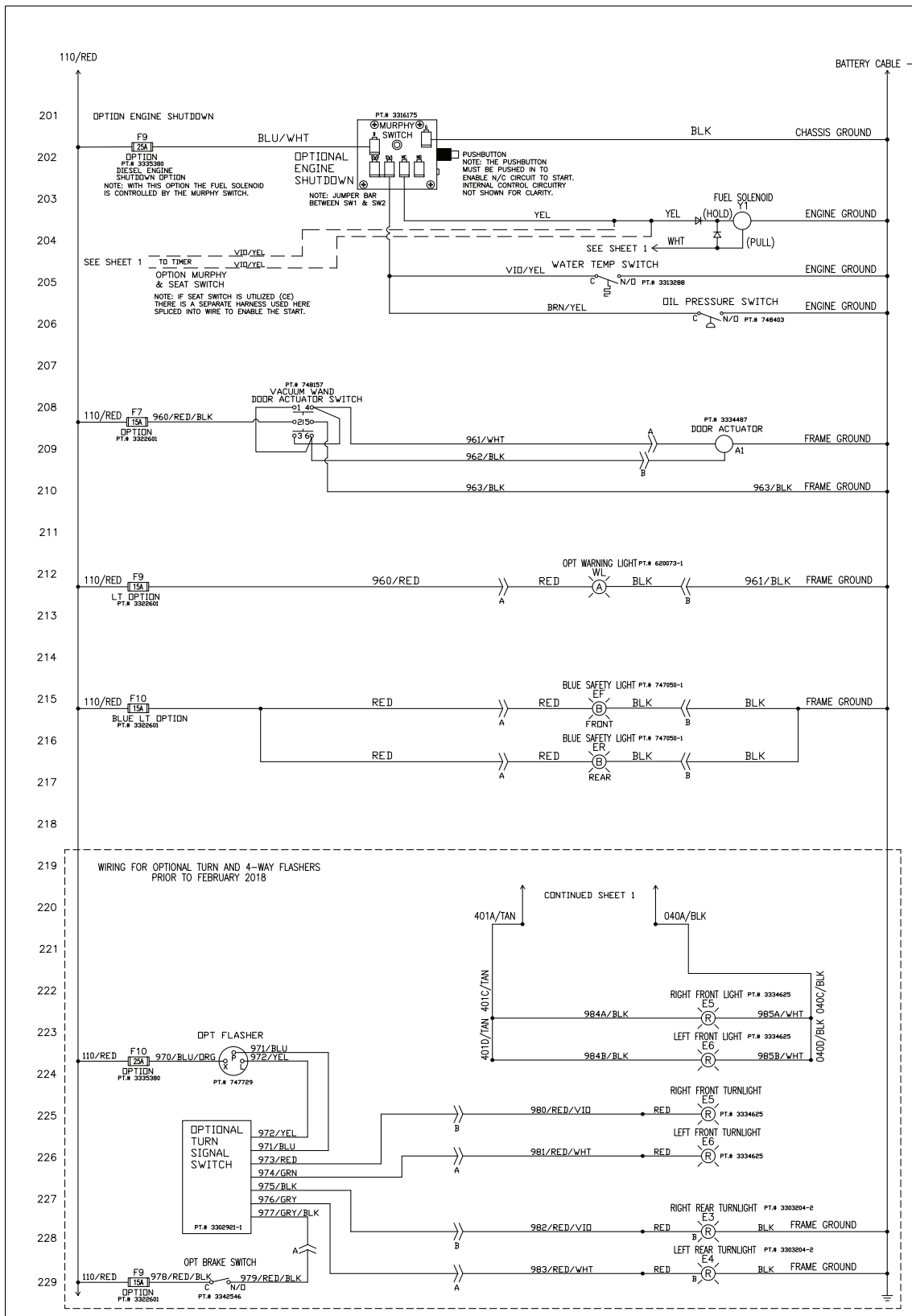


3397501, Rev J, 04/2020, Sheet 1 of 5

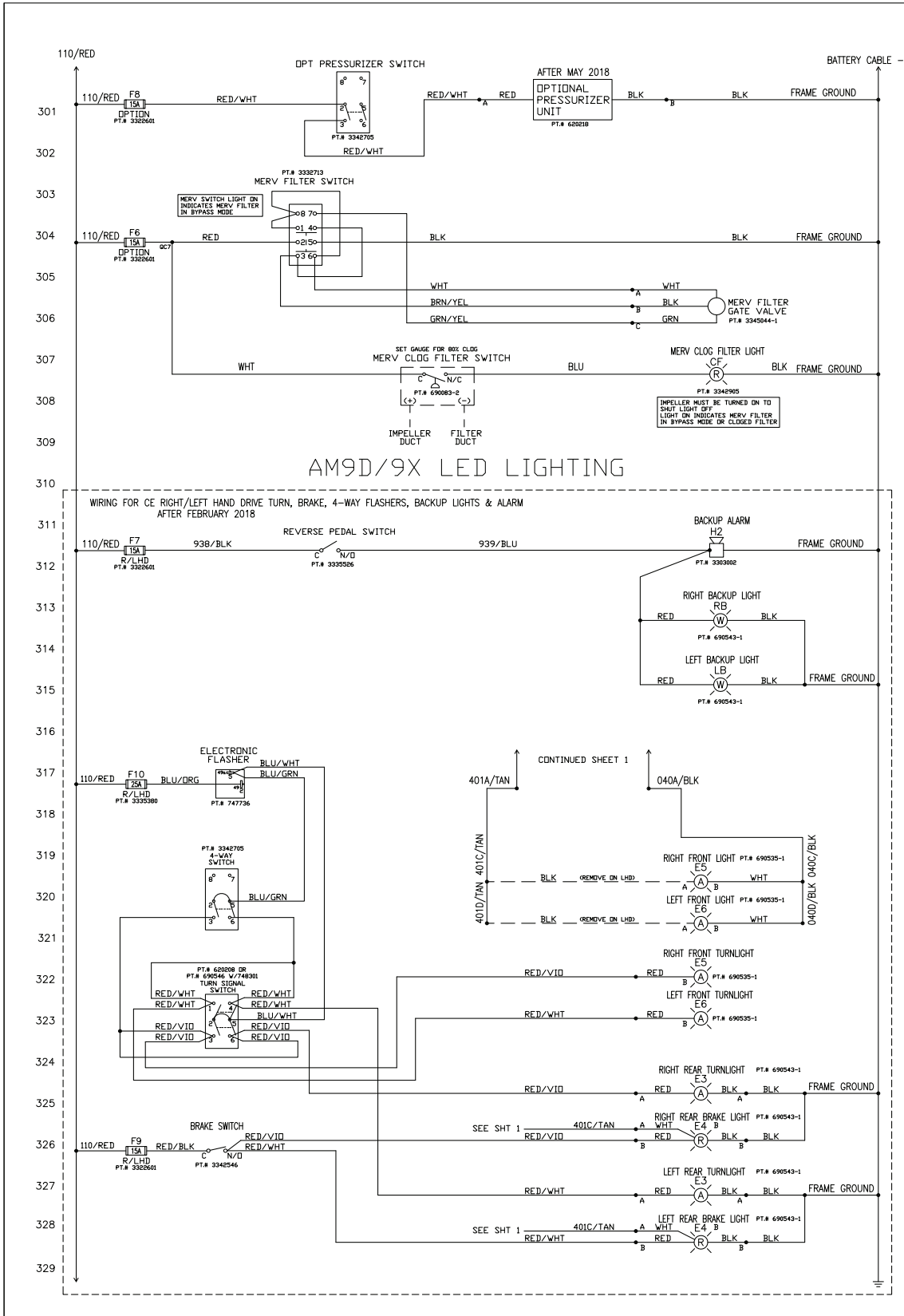
ELECTRICAL SCHEMATIC WITH KUBOTA V1505 - DIESEL



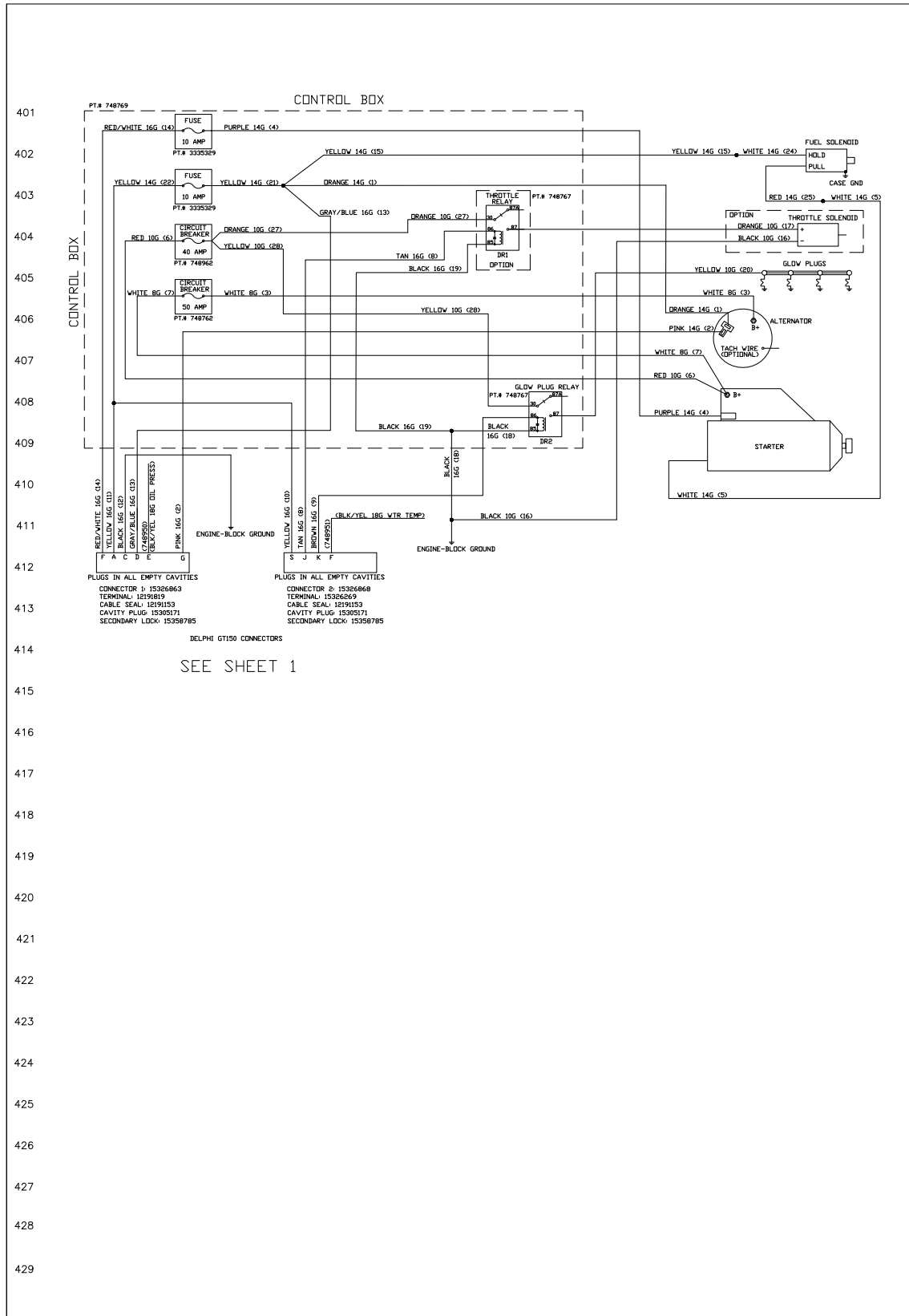
ELECTRICAL SCHEMATIC WITH KUBOTA V1505 - DIESEL



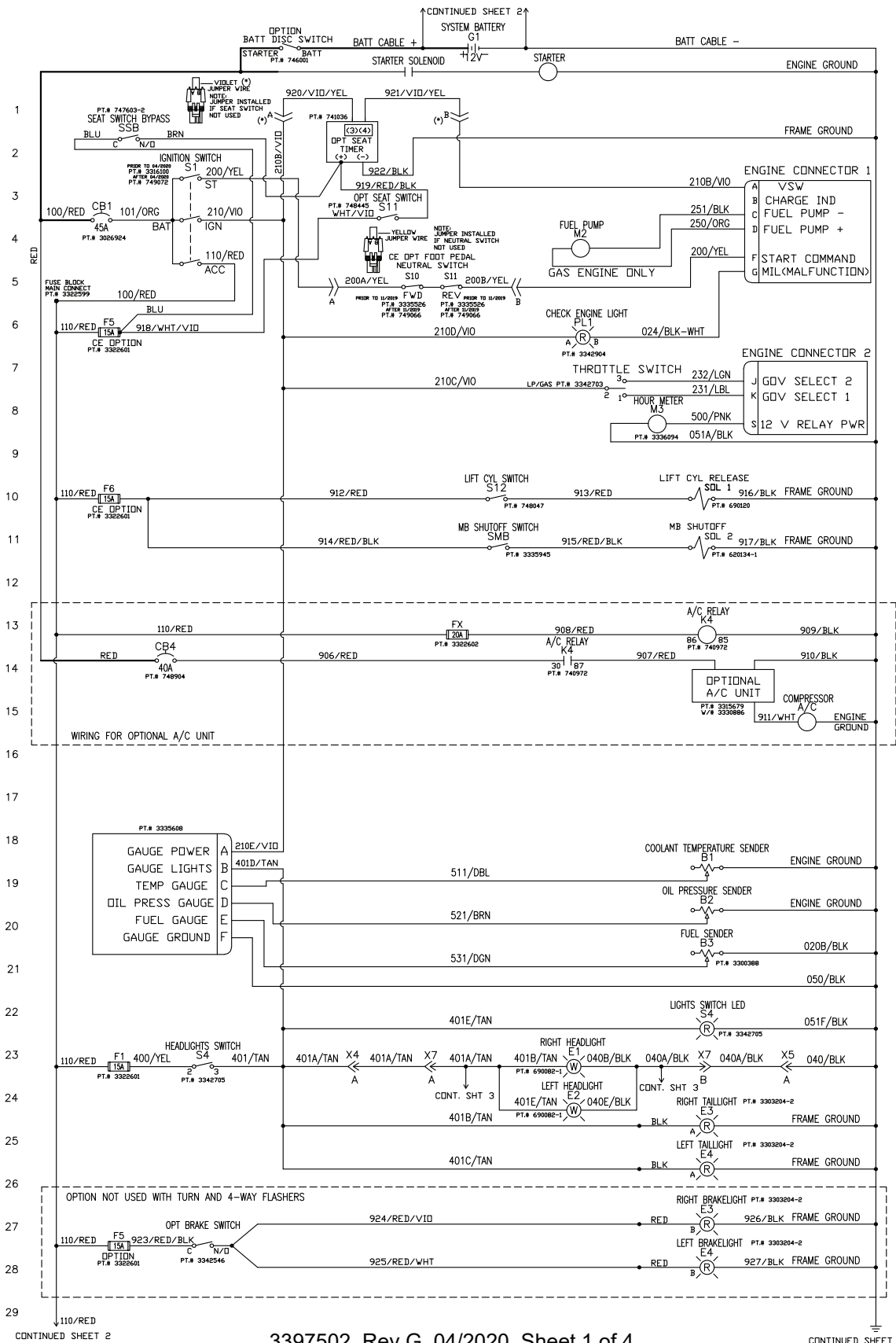
ELECTRICAL SCHEMATIC WITH KUBOTA V1505 - DIESEL



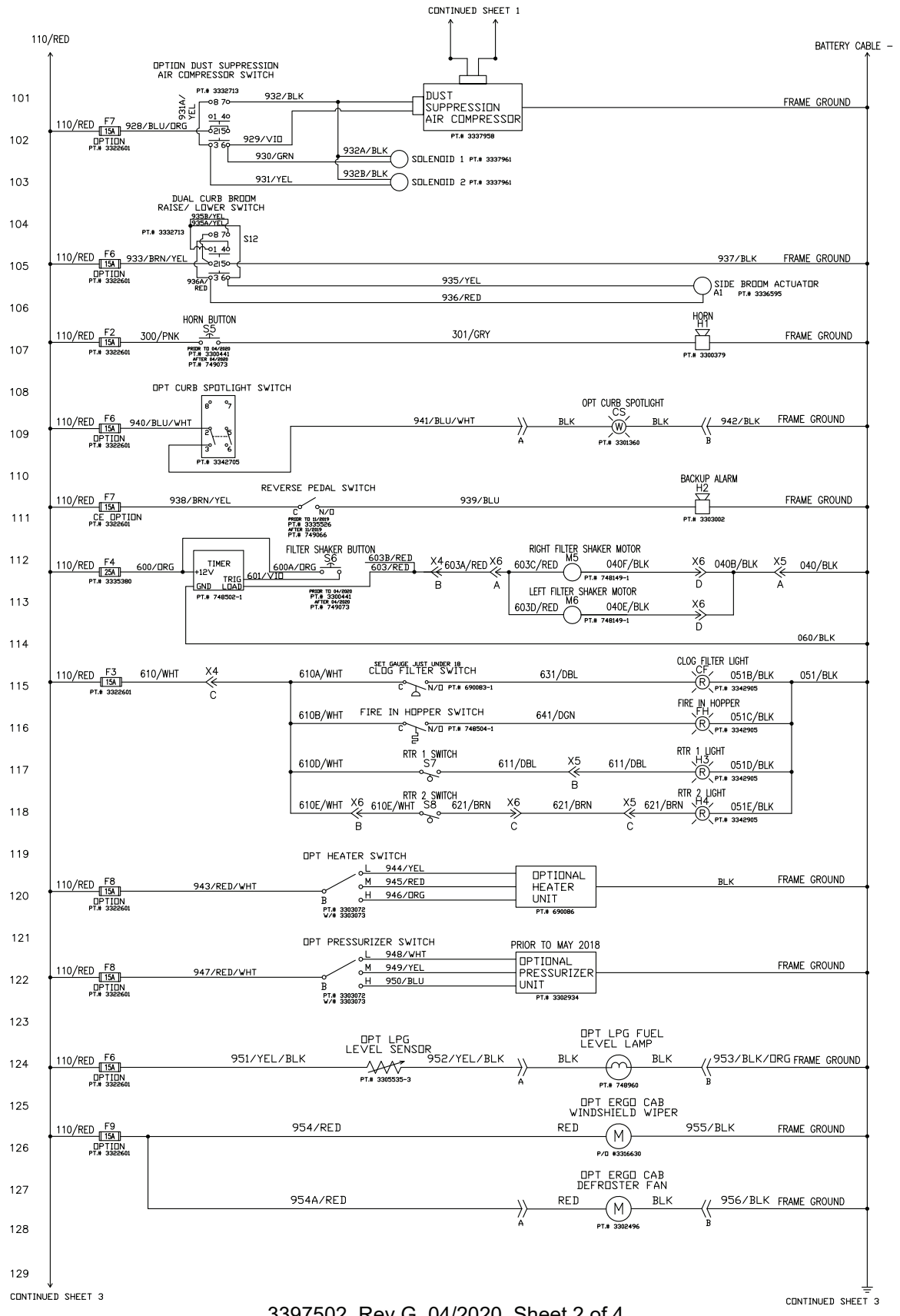
3397501, Rev J, 04/2020, Sheet 4 of 5



ELECTRICAL SCHEMATIC WITH KUBOTA WG1605 - GAS & LPG

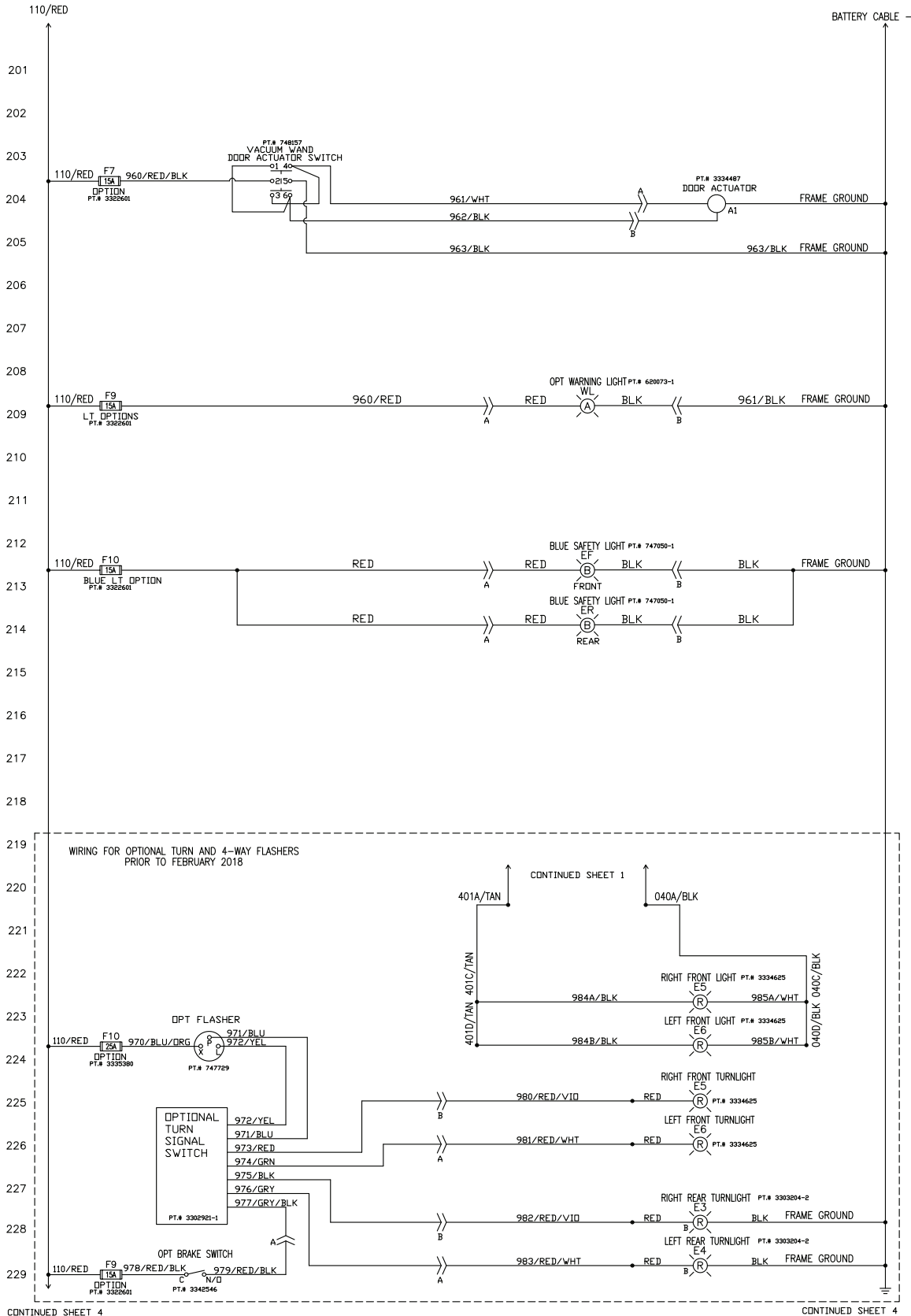


ELECTRICAL SCHEMATIC WITH KUBOTA WG1605 - GAS & LPG

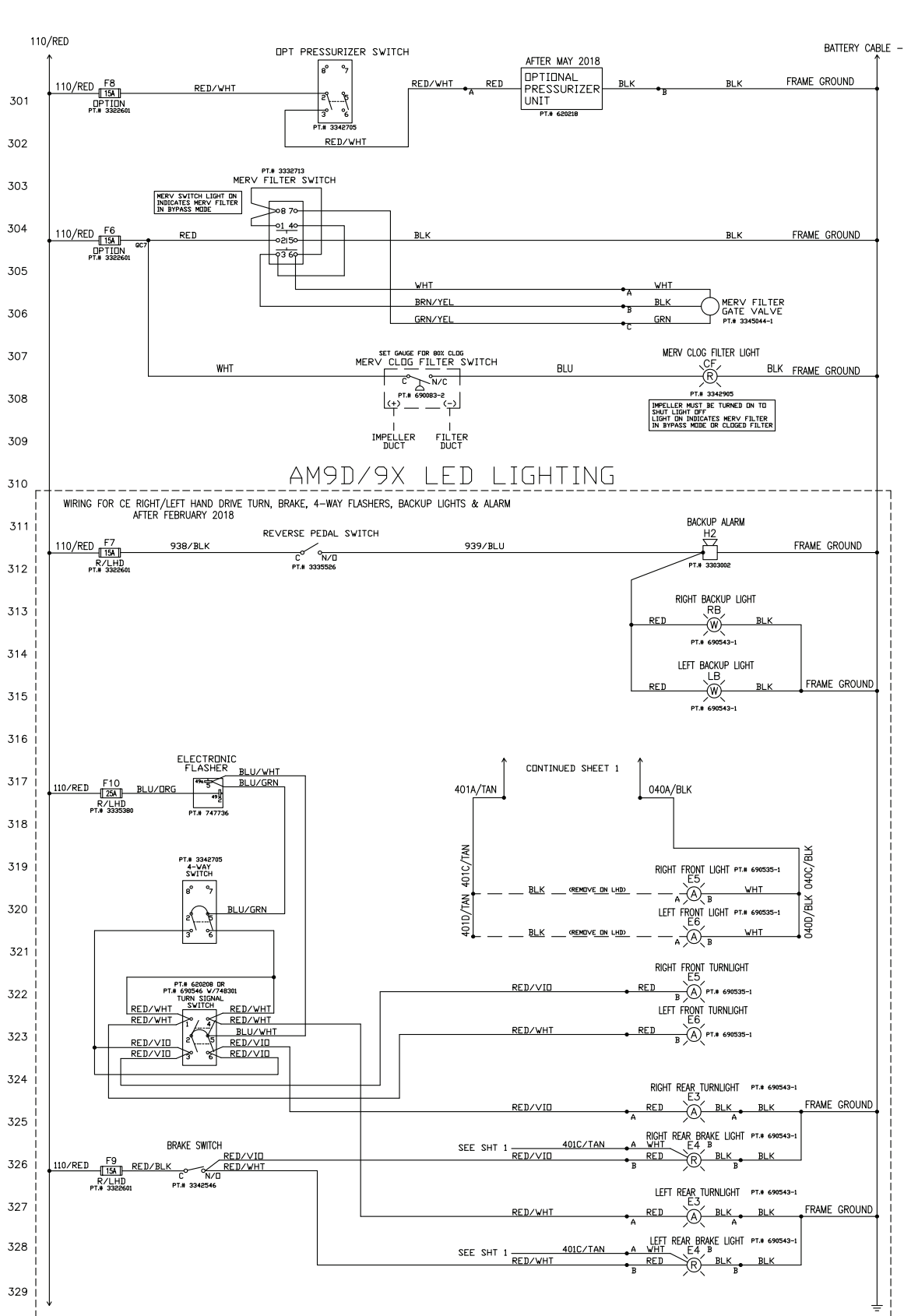


3397502, Rev G, 04/2020, Sheet 2 of 4

ELECTRICAL SCHEMATIC WITH KUBOTA WG1605 - GAS & LPG



3397502, Rev G, 04/2020, Sheet 3 of 4



PowerBoss®
The Power of Clean

'The Power of Clean'

**PowerBoss® is a Full Line Manufacturer of Sweepers and Scrubbers,
for Industrial Facilities.**

PowerBoss® 14N845 U.S. Route 20 Pingree Grove, Illinois 60140
Phone: 800-323-9420 www.PowerBoss.com Email: tech@powerboss.com
A Member of the Hako Group

Armadillo 9X Sweeper #4100000 Rev. V 10/23
PowerBoss® Copyright 2014-2015